



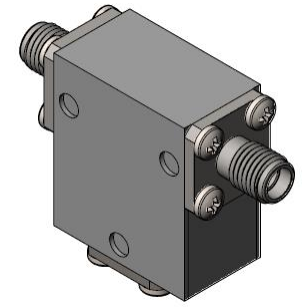
Part Number: D3I8012

Electrical Specifications

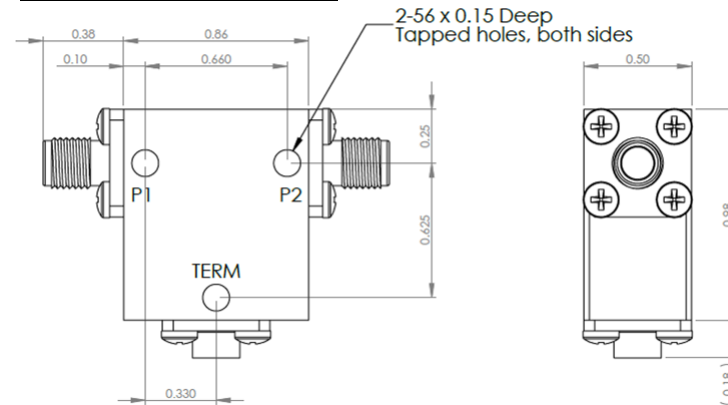
| | |
|------------------------|------------------|
| Frequency Range (GHz): | 8.0 – 12.4 |
| Isolation (dB): | 20 MIN |
| Insertion Loss (dB): | 0.5 MAX |
| VSWR: | 1.25:1 MIN |
| Forward Power (W): | 25 AVG 500 PK |
| Reflective Power (W): | 2 AVG |

Mechanical/Environmental Specifications

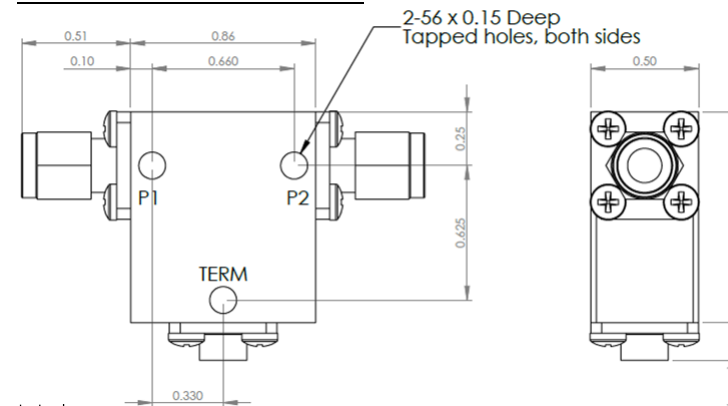
| | |
|-------------------|----------------------------|
| Connector Type: | SMA |
| Connector Body: | Passivated stainless steel |
| Connector Pin: | Gold plated copper |
| Load Body: | Brass |
| Magnetic Shunt: | Nickel plated CRS |
| Operational Temp: | -30°C to +85°C |
| Weight (oz) | 1.0 MAX |



D3I8012 Dimensions



D3I8012-3 Dimensions



Dimensions are in inches
Tolerance

| | |
|-----|--------|
| XX | ±0.03 |
| XXX | ±0.010 |

| Type of Device | PN Suffix | Connector Configuration Input / Output | PN Example |
|---|-----------|---|------------|
| Single and Dual Junction Isolator, 2-Port Device | N/A | Female / Female | D3I8012 |
| | -1 | Male / Female | D3I8012-1 |
| | -2 | Female / Male | D3I8012-2 |
| | -3 | Male / Male | D3I8012-3 |



MEASURED DATA

Part Number: D3I8012, +25°C

