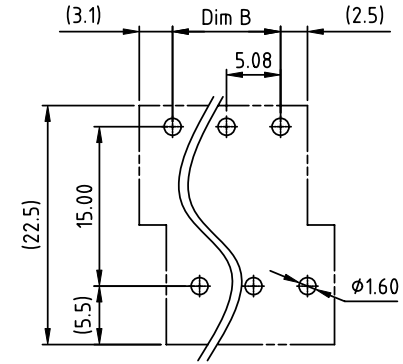
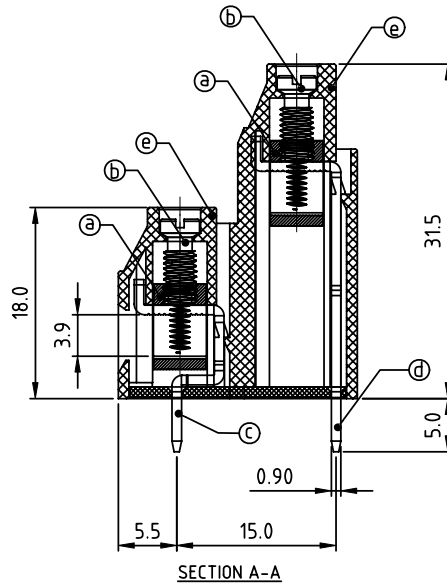
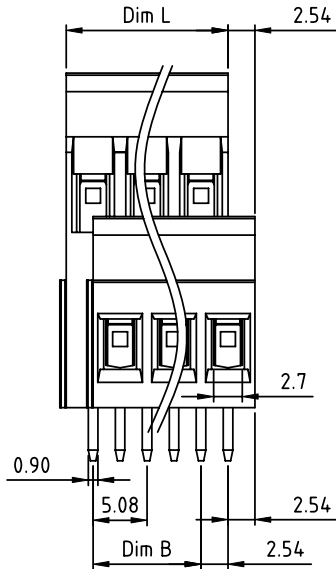
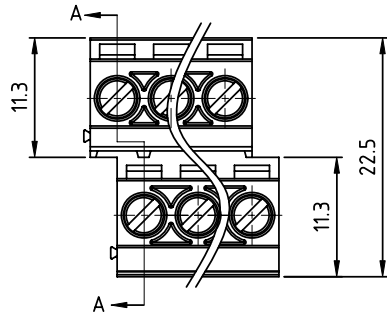


PRODUCT NUMBER	PITCH
EBxx21x000J0G	5.08 mm



RECOMMENDED P.C.B LAYOUT
TOP VIEW

Material

- Item (a) Clamp: Brass, Ni plated
- Item (b) Terminal screw: Steel Zinc plating "-" slot type
- Item (c) Solder pin1: Brass, Tin plated
- Item (d) Solder pin2: Brass, Tin plated
- Item (e) Terminal housing: Thermoplastic (UL94V-0)

Electrical cULus

- Voltage rating: 300VAC
- Current rating: 20A
- Wire range:
- Solid wire(AWG): 12-22
- Stranded wire(AWG): 12-22
- Torque(Lb-In): 4.3
- Screw: M3
- Wire strip length: 6-7mm
- Withstanding Voltage: 1.6KV
- Operating temperature: -40°C to +115°C
- Soldering temperature: 260°C±5°C/5 Sec
- Safety Approval:

DIMENSION

Dim L	N/2x5.08
Dim B	(N/2-1)x5.08

N=Number of poles

Poles	Tolerance
2x2p~2x5p	±0.15
2x6p~2x10p	±0.20
2x11p~2x15p	±0.25
2x16p~2x20p	±0.30
2x21p~2x24p	±0.35

PART NO.: EB xx 2 1 x 0 00J0 G

	End stackable	No. of poles	Color	RoHS compliant
0	Black (RAL9005)			(lead<4%)
2	Red (RAL3001/D)			In copper Alloy
04	2x2 poles	3	Orange(RAL2011/P)	
06	2x3 poles	4	Yellow(RAL1018/A)	
...	...	5	Green(RAL6018/T)	
48	2x24 poles	6	Blue (RAL5015/A)	
		8	Grey(RAL7035/D)	
		9	White(RAL1102)	
		C	Green(RAL6018/U)	

mat'l. code		surface ASME Y14.5	tolerance ASME Y14.5	projection	product family TERMINAL BLOCK
ltr	ecn no	dr	date	 MM	title TERMINAL BLOCK
tolerances unless otherwise specified					
angles		X.±0.5		 scale	RISING CLAMP,180D WIRE INLET,END STACKABLE,INTERLACE title TERMINAL BLOCK
X*±1*		X.XX±0.3			
dr		EVIN ZHONG	041114		sheet 1 of 1 size A4 EBxx21x000J0G type CUSTOMER Drawing
enr		EVIN ZHONG	041114		
chr		HANKE FENG	041114		
appd		SHI JUN	041114		
sheet index	revision sheet	A	1		