

KB10

10 Watt Single and Dual Output, PCB Mountable AC/DC Switching Power Supply



FEATURES

- PC BOARD MOUNTABLE
- SUPER SMALL SIZE
- HIGH POWER DENSITY
- UNIVERSAL INPUT / "CE-MARK"
- HIGH RELIABILITY
- OVERCURRENT PROTECTION
- TWO YEAR WARRANTY

SAFETIES / EMI





FCC Part 15-B
EN 55022-B

ELECTRICAL SPECIFICATIONS

All specifications are typical at nominal input, full load.

INPUT SPECIFICATIONS

Input Voltage.....	AC 85V-264V
Input Frequency.....	47-63 Hz
Input Current.....	Vin= 115v 0.18A
	Vin= 230v 0.12A
Inrush Current.....	Vin= 100v 3.2A
	Vin= 230v 7.5A

OUTPUT SPECIFICATIONS

Output Voltage.....	See Chart
Output Adjustment.....	No Adjustment
Efficiency.....	75~80%
Over-Voltage Protection.....	N/A
Over-Current Protection.....	Automatic Recovery (105% min)
Ripple and Noise.....	150 mVp-p (typ.)
Hold-Up Time.....	Vin= 100v 11mSec
	Vin= 230v 90mSec
Line/Load Regulation.....	0.4% / 1% (MAX)
Rise Time.....	Vin= 100v 130mSec
	Vin= 230v 115mSec
Leakage Current.....	Vin= 100v 0.12 m Arms
	Vin= 230v 0.26 m Arms

GENERAL SPECIFICATIONS

Switching Frequency.....	100 KHz Typ
MTBF.....	>280,000 Hours Typ
Isolation Voltage	
Primary to Secondary.....	3000 VAC
Primary to Case.....	1500 VAC
Secondary to Case.....	500 VAC
Isolation Resistance.....	100 MΩ

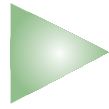
ENVIRONMENTAL SPECIFICATIONS

Operating Temperature	0°C ~ +60°C
	Derates linearly 2.5%/°C after 50°C
Cooling.....	Convection
Temperature Coefficient.....	0.02% / °C
Humidity.....	20~85% Rh
Storage Temperature.....	-20° ~ +85°C
Shock/Vibration.....	Shock: 20G (3 Directions each 3 times)
	Vibration: 1~55Hz

PHYSICAL SPECIFICATIONS

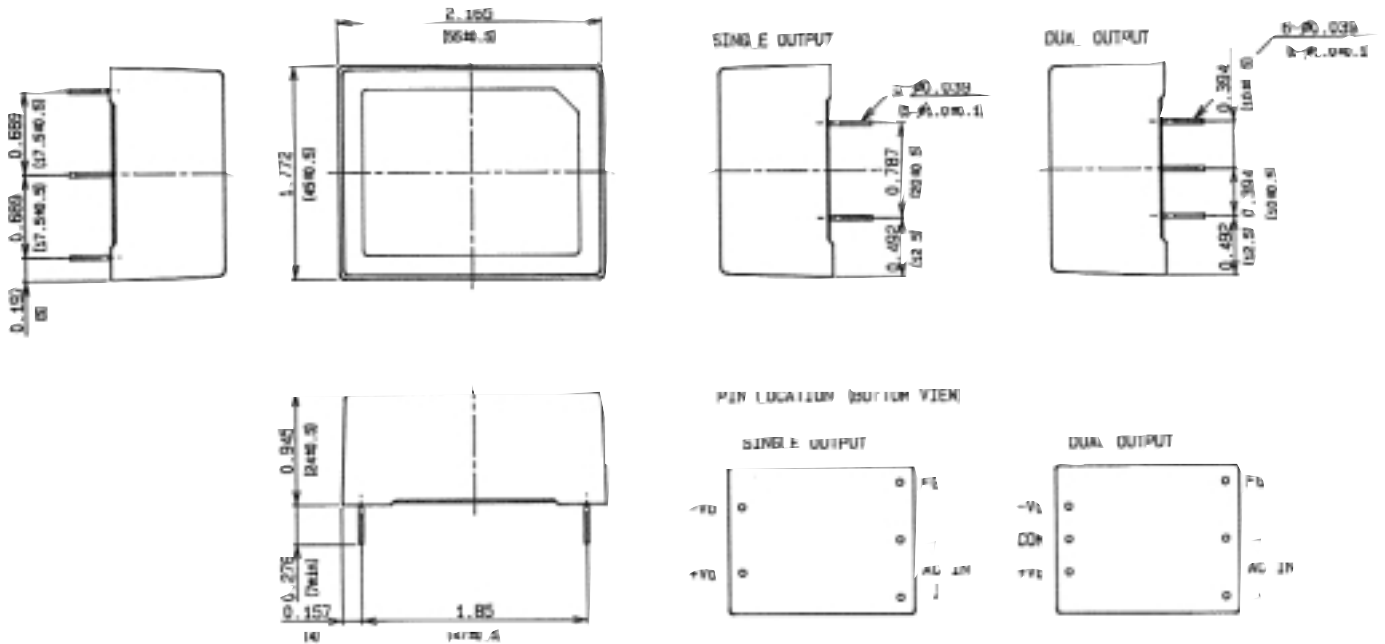
Board Level Encapsulated
Thru- hole Pins

Series



MODEL	INPUT RATING	OUTPUT VOLTAGE	OUTPUT CURRENT	EFFICIENCY AT 100% LOAD (TYP.)
KB10-05S	115-230 V 50-60 HZ	5 VDC	0 ~ 2.0 A	75%
KB10-12S	115-230 V 50-60 HZ	12 VDC	0 ~ 0.9 A	80%
KB10-15S	115-230 V 50-60 HZ	15 VDC	0 ~ 0.7 A	80%
KB10-24S	115-230 V 50-60 HZ	24 VDC	0 ~ 450 mA	80%
KB10-122D	115-230 V 50-60 HZ	± 12 VDC	±45 ~ 450 mA	80%
KB10-153D	115-230 V 50-60 HZ	± 15 VDC	±35 ~ 350 mA	80%

KB10 Series



NOTE
 1. TOLERANCE ±0.07mm.
 A. DIMENSION IN INCH (mm)

NOTE:
 All specifications typical and nominal / full load and 25°C unless otherwise noted.
 Avoid sustained operation in overload or dead short conditions.
 Specifications subject to changes without notice.

• Dimensions in mm

