

High Frequency Ceramic Solutions

Mini 2.4GHz Band Pass Filter, EIA 0402

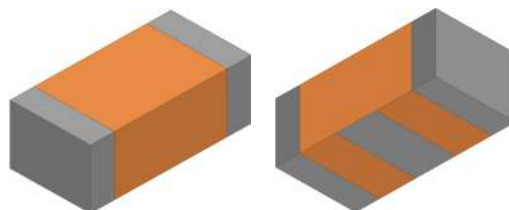
P/N 2450BP07A0100

Detail Specification: 3/22/2018

Page 1 of 3

General Specifications

Part Number	2450BP07A0100
Frequency (MHz)	2400 - 2500
Impedance (Ohm)	50
Insertion Loss (dB)	1.9 typ. / 2.5 max.
Return Loss (dB)	9.5 min.
Reel Quantity	10,000
Solder Paste	SAC 305 type is recommended



Frequency	Attenuation (dB)	Operating Temperature	-40 to +85°C
824 - 960MHz	28 typ. / 25 min.	Recommended Storage Conditions and Period for unused T&R Product	+5 to +35°C Humidity 45 - 75% RH 18 months max.
1710 - 1910MHz	27 typ. / 25 min.		
4800 - 5000MHz	30 typ. / 25 min.	Power Capacity	500mW max. (CW)
7200 - 7500MHz	20 typ. / 15 min.		

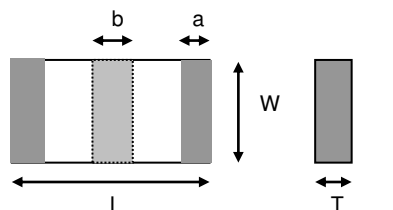
*18 months in vacuum sealed bag and 1 week after opened. Please keep unused parts in vacuum sealed bags.

For more info go to www.johansontechnology.com/silverleads.

P/N Suffix	Packing Style	Bulk	Suffix = S	eg. 2450BP07A0100S
		T & R	Suffix = T	eg. 2450BP07A0100T
Evaluation Board		2450BP07A0100-EB1SMA (2 Female SMA connectors 50Ω)		

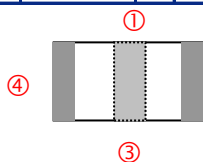
Mechanical Specifications

	In	mm
L	0.039 ± 0.002	1.00 ± 0.05
W	0.020 ± 0.002	0.50 ± 0.05
T	0.015 ± 0.002	0.38 ± 0.05
a	0.006 ± 0.004	0.15 ± 0.10
b	0.010 ± 0.004	0.25 ± 0.10



Terminal Configuration

No.	Function	No.	Function
1	GND	3	GND
2	IN/OUT	4	IN/OUT



Want the layout file of the above? Send us a message at: www.johansontechnology.com/ask-a-question

Johanson Technology, Inc. reserves the right to make design changes without notice.

All sales are subject to Johanson Technology, Inc. terms and conditions.



www.johansontechnology.com

4001 Calle Tecate • Camarillo, CA 93012 • TEL 805.389.1166 FAX 805.389.1821

Ver. 2.1

2018 Johanson Technology, Inc. All Rights Reserved

High Frequency Ceramic Solutions

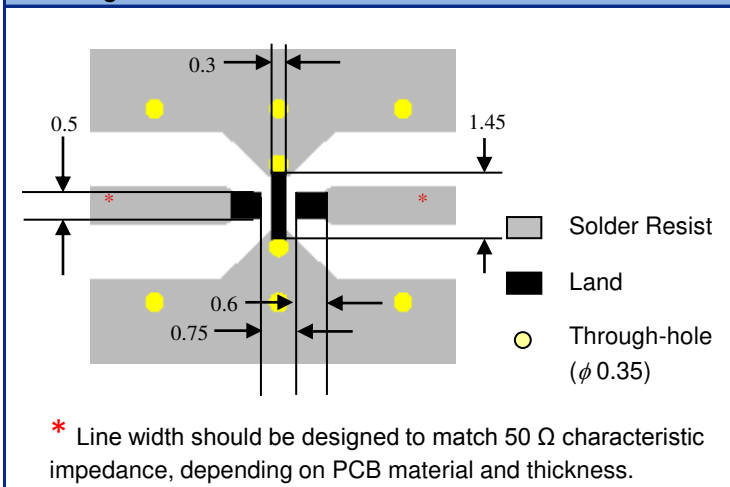
Mini 2.4GHz Band Pass Filter, EIA 0402

P/N 2450BP07A0100

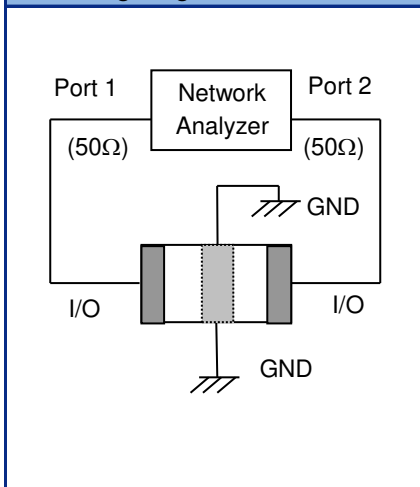
Detail Specification: 3/22/2018

Page 2 of 3

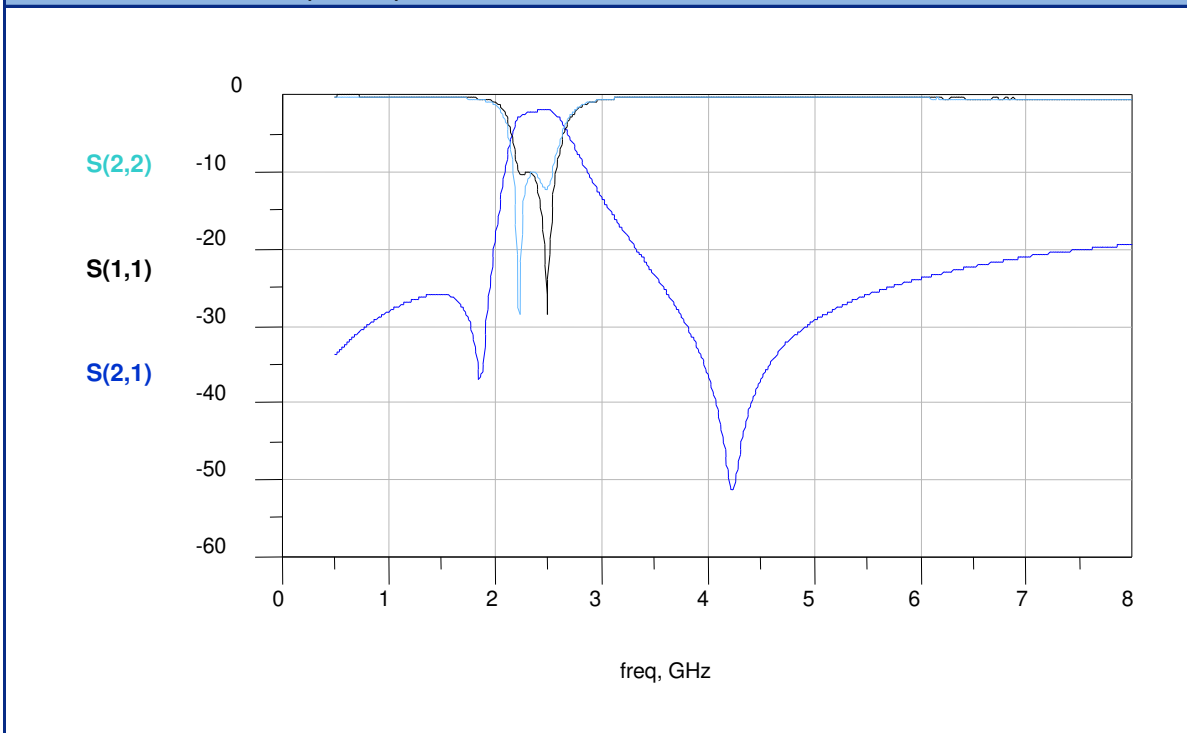
Mounting Considerations



Measuring Diagram



Electrical Characteristics (T=25°C)



Johanson Technology, Inc. reserves the right to make design changes without notice.
All sales are subject to Johanson Technology, Inc. terms and conditions.



www.johansontechnology.com
4001 Calle Tecate • Camarillo, CA 93012 • TEL 805.389.1166 FAX 805.389.1821
Ver. 2.1 2018 Johanson Technology, Inc. All Rights Reserved

High Frequency Ceramic Solutions

Mini 2.4GHz Band Pass Filter, EIA 0402

P/N 2450BP07A0100

Detail Specification: 3/22/2018

Page 3 of 3

More BPF info such as measured s-parameters and ordering details at:

www.johansontechnology.com/band-pass-filters

Packaging information

www.johansontechnology.com/tape-reel-packaging

Soldering Information

www.johansontechnology.com/ipcsoldering-profile

MSL Info

www.johansontechnology.com/msl-rating

Recommended Storage Condition and Max Shelf Life

www.johansontechnology.com/recommended-storage-conditions

RoHS Compliance

www.johansontechnology.com/rohs-compliance

Layout review services

www.johansontechnology.com/ask-a-question

Antenna layout review, tuning, and characterization services

www.johansontechnology.com/ipc-antenna-services

Johanson Technology, Inc. reserves the right to make design changes without notice.
All sales are subject to Johanson Technology, Inc. terms and conditions.



Ver. 2.1

www.johansontechnology.com

4001 Calle Tecate • Camarillo, CA 93012 • TEL 805.389.1166 FAX 805.389.1821

2018 Johanson Technology, Inc. All Rights Reserved