

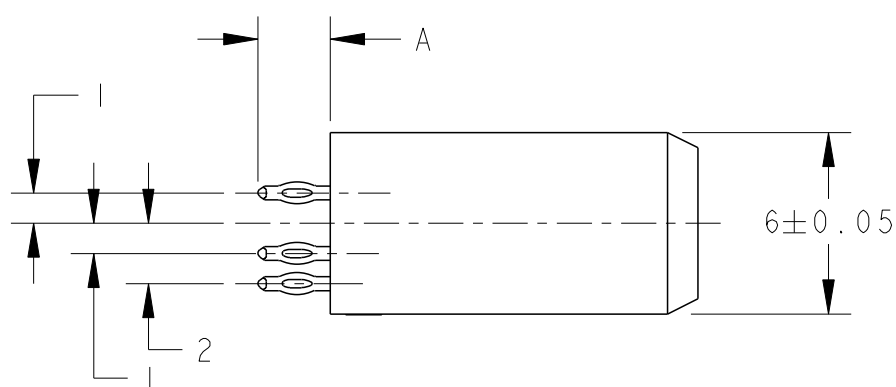
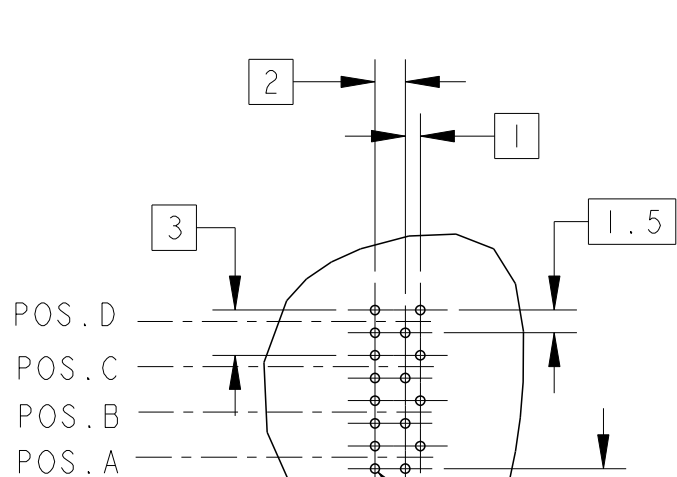
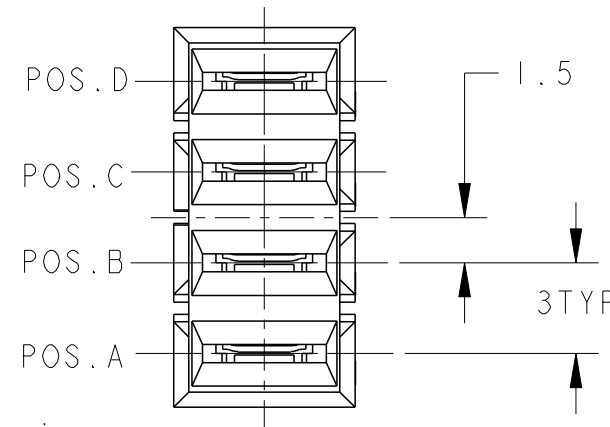
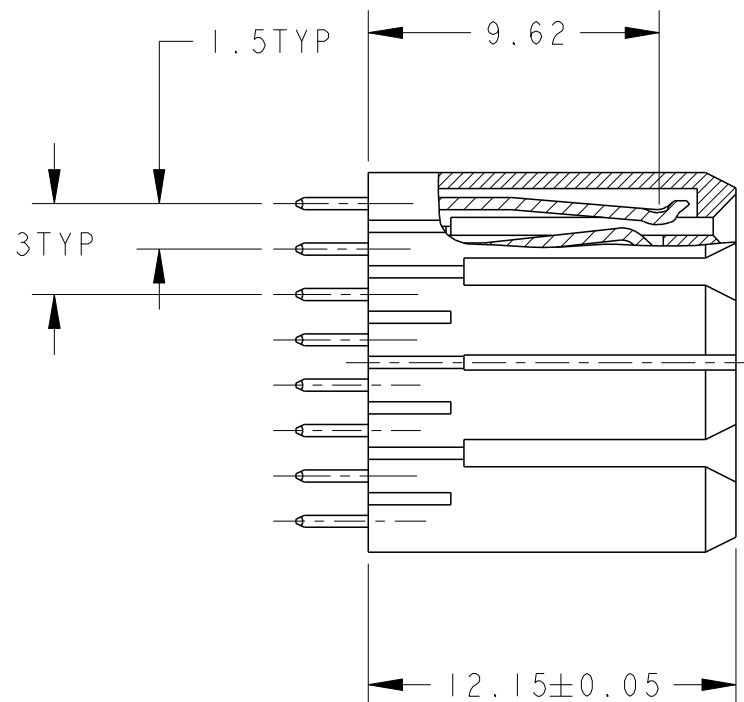
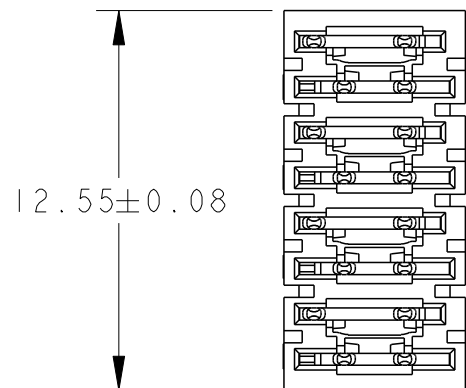
THIS DRAWING IS UNPUBLISHED.

RELEASED FOR PUBLICATION

20

© COPYRIGHT 20 BY Tyco Electronics Japan G.K. ALL RIGHTS RESERVED.

LOC	DIST	REVISIONS					
		P	LTR	DESCRIPTION	DATE	DWN	APVD
J	-		A	RELEASED	21NOV2006	T.K	K.I
			B	REVISED	22AUG2012	Y.U	E.T
			C	REV PER ECO-15-003631	09MAR2015	ML	SZ



- 1 MATERIAL  
CONTACT: COPPER ALLOY  
HOUSING: THERMOPLASTIC
- 2 FINISH  
CONTACT MATING AREA: 0.76um MIN. GOLD PLATE  
EON AREA: 0.5um MIN. TIN PLATE  
ALL OVER 1.27um MIN. NICKEL PLATE
- 3 TYPICAL HOLE DETAIL;  
DRILLED HOLE =  $\varnothing 0.7 \pm 0.02$   
COPPER THICKNESS = 0.035 TO 0.065
- 4 FINISH  
CONTACT MATING AREA: 0.76um MIN. GOLD PLATE  
EON AREA: 0.5um MIN. BRIGHT TIN-LEAD PLATE  
ALL OVER 1.27um MIN. NICKEL PLATE
- 5 CONTACT AREA LUBRICATED WITH BELLCORE APPROVED LUBRICANT. TECHNICAL REFERENCE: GR-1217-CORE, ISSUE 1, NOVEMBER 1995.

TOP SURFACE OF DAUGHTER CARD

0.75 REF  
 $\varnothing 0.6 \pm 0.05$  3  
 $\varnothing 0.08$  M  
 PLATED THROUGH HOLE  
 16PLC.

REFERENCE PCB HOLE LAYOUT

1903978-1: AS SHOWN

THIS DRAWING IS A CONTROLLED DOCUMENT.		DWN T. KATANO 21NOV06	TE Connectivity	
DIMENSIONS: mm		CHK K. IKEGAMI 21NOV06		
TOLERANCES UNLESS OTHERWISE SPECIFIED: $\pm 0.3$		APVD K. IKEGAMI 21NOV06	NAME SLIM UNIVERSAL POWER MODULE 4POS. RECEPTACLE ASSEMBLY	
0-PLC $\pm$ 1-PLC $\pm 0.1$ 2-PLC $\pm 0.01$ 3-PLC $\pm 0.001$ 4-PLC $\pm 0.0001$ ANGLES $\pm$		PRODUCT SPEC 108-78387	SIZE A3	CAGE CODE -
MATERIAL 1		FINISH SEE TABLE	DRAWING NO C=1903978	RESTRICTED TO -
CUSTOMER DRAWING			SCALE 4:1	SHEET 1 OF 1
			REV C	

3.0	2	2-1903978-1
2.4	4	1-1903978-1
2.4	2	1903978-1
A	FINISH	P/N