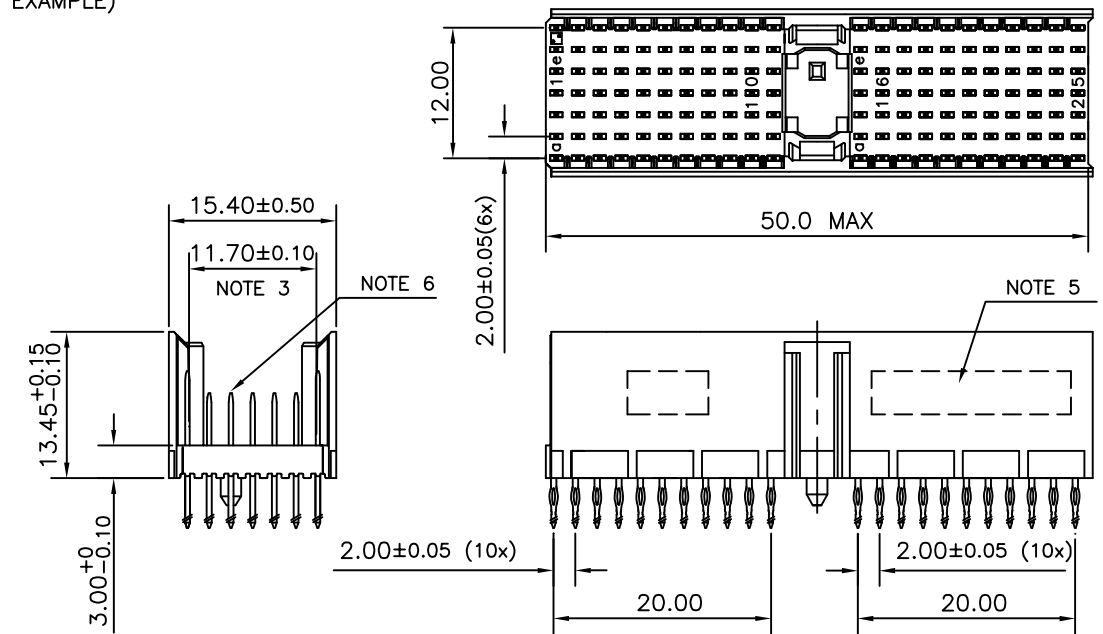


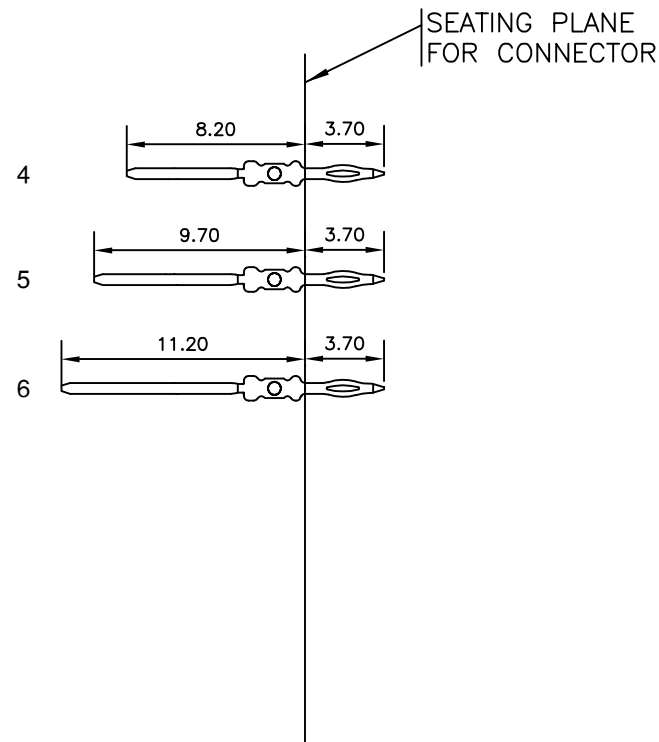
LOADING PATTERN MATING SIDE

f	6	6	6	6	6	6	6	6	6	6	6	6	6	6	6	6	6	6	6	6
e	5	4	4	4	4	4	4	4	4	4	4	4	4	4	4	4	4	4	4	4
d	5	5	4	6	4	6	4	6	4	6	4	6	4	4	4	4	4	4	4	4
c	5	5	4	4	4	4	4	4	4	4	4	4	4	4	4	4	4	4	4	4
b	5	5	4	6	4	6	4	6	4	6	4	6	4	6	4	6	4	6	4	6
a	5	5	4	4	4	4	4	4	4	4	4	4	4	4	4	4	4	4	4	4
z	6	6	6	6	6	6	6	6	6	6	6	6	6	6	6	6	6	6	6	6
P	0																			
S	1	5	0	1	5	0	1	5	0	1	5	0	1	5	0	1	5	0	1	5

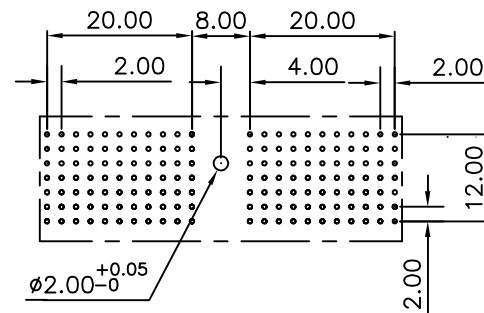
LOADED CONNECTOR ASSEMBLY (FOR EXAMPLE)



CONTACT OVERVIEW



LAY-OUT P.C.B.-HOLE



LEAD FREE INDICATOR : LF = LEAD FREE (DIGIT 15 & 16)

HM2P07PDE3A1

PLATING CODE (DIGIT 13 AND 14) (REF DRW NO. BS,C , 201844 , 003)

NOTES

- THIS PRODUCT IS CSA APPROVED.
  - THIS PRODUCT IS UL RECOGNIZED.
  - MEASURED AT THE BOTTOM.
  - MATERIAL CONTACT: PHOSPHORBRONZE  
HOUSING: CREAM WHITE GLASS FILLED POLYESTER UL-94V0
  - CONNECTOR PRINTED WITH P/N AND DATE CODE.
  - FOR ACTUAL CONTACT LOADINGS, SEE LOADING PATTERN MATING SIDE.
  - SHAPE OF CONNECTOR HOUSING CAN ALTER DEPENDING ON PRODUCTION LOCATION
  - THE PRODUCT (LF) MEETS EUROPEAN UNION DIRECTIVES AND OTHER COUNTRY REGULATIONS AS DESCRIBED IN GS-22-008
  - FOR RECOMMENDED PTH DIMENSIONS REFER DRAWING : BS, A , 201572 , 001
- CATALOG NO: HM2P07PDE3A1- ---

mat'l. code SEE NOTE 4				surface ISO 1302 ✓		tolerance ISO 406 ISO 1101		projection MM		product family MLLIPACS			
litr				ecn no		dr		date		tolerances unless otherwise specified		title	
A				104-0037		MINI		2004/05/15		angles		MPACS 5+2R STR HDR PF CONN TYPE A	
B				105-0188		MINI		2005/10/13		linear			
C				106-0090		MINI		2006/06/27		0°±1°			
								dr		MINI K VANDANATH		2004/05/15	
								enr		BIJU K PAUL		2004/05/15	
								chr		BIJU K PAUL		2006/06/27	
								appd		BIJU K PAUL		2006/06/27	
sheet index		revision sheet		c								dwg no	
		1		1								sheet 1 of 1 size	
												BS, C ,203028, 134 A3	
												type Product Customer Drawing	