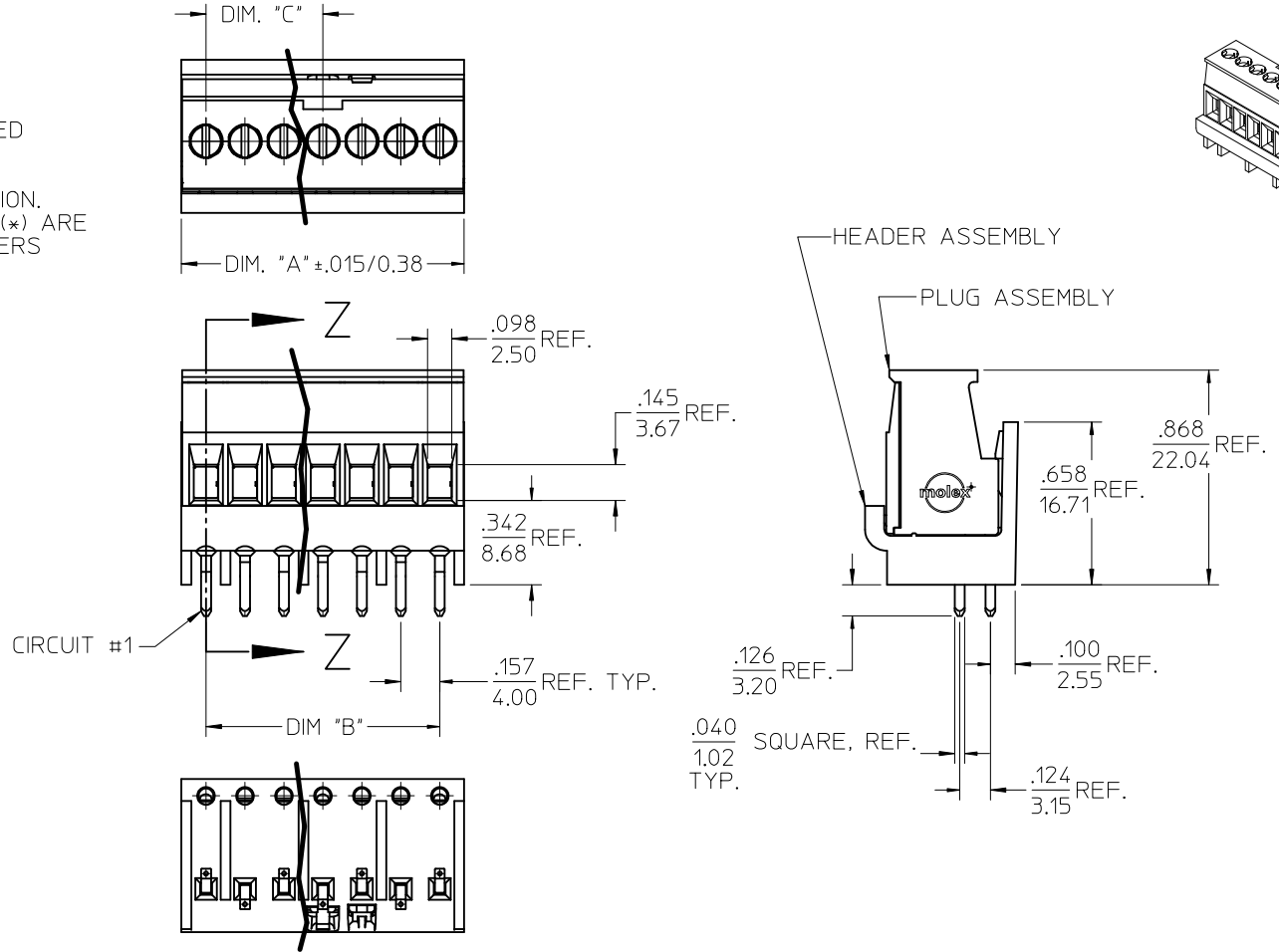
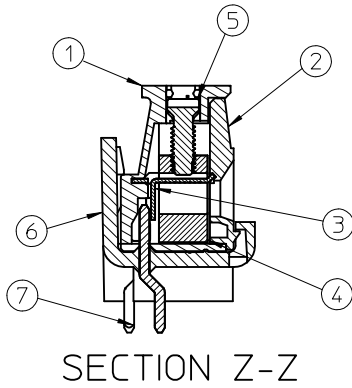
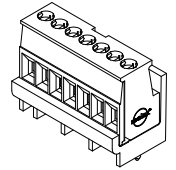


NOTES:

1. MATERIALS: SEE CHART.
2. FINISHES: SEE CHART.
3. PRODUCT SPECIFICATION: PS-39482-001.
4. PACKAGING SPECIFICATION: TRAY PACKAGED PER PK-39482-001.
5. ALL DIMENSIONS ARE REFERENCE.
6. ASSEMBLY IS ROHS COMPLIANT BY EXEMPTION. COMPONENTS MARKED WITH AN ASTERISK (*) ARE ROHS COMPLIANT BY EXEMPTION, ALL OTHERS ARE ROHS COMPLIANT.



7	XX	HEADER PIN	COPPER ALLOY, 100μ" TIN PLATED
6	1	HEADER BODY	GLASS FILLED POLYAMIDE 6T/66, BLACK (F)
5	XX	SCREW	STEEL, NICKEL PLATED
4	XX	CAGE (*)	COPPER ALLOY, NICKEL PLATED
3	XX	TERMINAL	COPPER ALLOY, 100μ" TIN PLATED
2	1	COVER	GLASS FILLED POLYAMIDE 6T/66, BLACK (F)
1	1	BODY	GLASS FILLED POLYAMIDE 6T/66, BLACK (F)

CHANGE HSNG MATERIAL
 EC NO: WNA2010-0372
 TIDRWA/CLYORK 2010/06/01
 CHKD:DTITUS 06/26/06
 APPR:DTITUS 2010/06/17

QUALITY SYMBOLS
 ▽=0
 ▽=0

GENERAL TOLERANCES (UNLESS SPECIFIED)	
	mm INCH
4 PLACES	± --- ± ---
3 PLACES	± --- ± .010
2 PLACES	± 0.25 ± .02
1 PLACE	± 0.5 ± ---
ANGULAR ± 1°	

DIMENSION STYLE	
IN/MM	
DRAWN BY	DATE
JPAWLICKI	06/23/06
CHECKED BY	DATE
JPAWLICKI	06/26/06
APPROVED BY	DATE
JPAWLICKI	06/27/06
MATERIAL NO.	

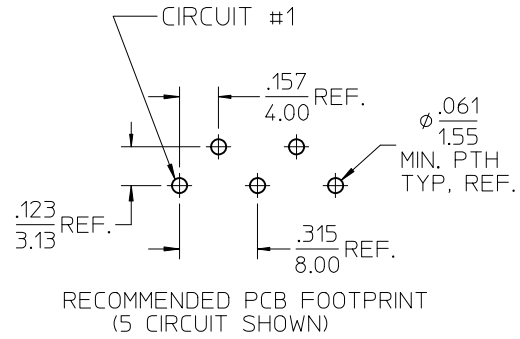
SCALE	DESIGN UNITS	THIRD ANGLE PROJECTION
2:1	INCH	☉
TITLE		
4.00MM MAP PLUG/HEADER ASSEMBLY, TIN OPTION		
MOLEX INCORPORATED		SHEET NO.
DOCUMENT NO. SD-39482-001		1 OF 2

DRAFT WHERE APPLICABLE MUST REMAIN WITHIN DIMENSIONS

SEE CHART

THIS DRAWING CONTAINS INFORMATION THAT IS PROPRIETARY TO MOLEX INCORPORATED AND SHOULD NOT BE USED WITHOUT WRITTEN PERMISSION

ASSEMBLY MATERIAL NO.	CIRCUIT SIZE	DIM "A"	DIM "B"	DIM "C"
39482-0002	2	.356/9.03	.158/4.00	.000/0.00
39482-0003	3	.513/13.03	.315/8.00	.000/0.00
39482-0004	4	.671/17.03	.473/12.00	.158/4.00
39482-0005	5	.828/21.03	.630/16.00	.315/8.00
39482-0006	6	.986/25.03	.788/20.00	.315/8.00
39482-0007	7	1.143/29.03	.945/24.00	.473/12.00
39482-0008	8	1.301/33.03	1.103/28.00	.473/12.00
39482-0009	9	1.458/37.03	1.260/32.00	.630/16.00
39482-0010	10	1.616/41.03	1.418/36.00	.630/16.00
39482-0011	11	1.773/45.03	1.575/40.00	.788/20.00
39482-0012	12	1.931/49.03	1.733/44.00	.788/20.00
39482-0013	13	2.088/53.03	1.890/48.00	.945/24.00
39482-0014	14	2.246/57.03	2.048/52.00	.945/24.00
39482-0015	15	2.403/61.03	2.205/56.00	1.103/28.00
39482-0016	16	2.561/65.03	2.363/60.00	1.103/28.00
39482-0017	17	2.718/69.03	2.520/64.00	1.260/32.00
39482-0018	18	2.876/73.03	2.678/68.00	1.260/32.00
39482-0019	19	3.033/77.03	2.835/72.00	1.418/36.00
39482-0020	20	3.191/81.03	2.993/76.00	1.418/36.00
39482-0021	21	3.348/85.03	3.150/80.00	1.575/40.00
39482-0022	22	3.506/89.03	3.308/84.00	1.575/40.00
39482-0023	23	3.663/93.03	3.465/88.00	1.733/44.00
39482-0024	24	3.821/97.03	3.623/92.00	1.733/44.00



SEE SHEET ONE EC NO: WNA2010-0372 TDR:WNYORK 2010/06/01 CHKD:DTITUS 06/26/06 APPR:DTITUS 2010/06/17	QUALITY SYMBOLS	GENERAL TOLERANCES (UNLESS SPECIFIED)	DIMENSION STYLE	SCALE	DESIGN UNITS	THIRD ANGLE PROJECTION	
	▽=0 ▽=0	mm INCH 4 PLACES ± --- ± --- 3 PLACES ± --- ± .010 2 PLACES ± 0.25 ± .02 1 PLACE ± 0.5 ± --- ANGULAR ± 1 °	IN/MM	2:1	INCH	DRAWN BY DATE JPAWLICKI 06/23/06 CHECKED BY DATE JPAWLICKI 06/26/06 APPROVED BY DATE JPAWLICKI 06/27/06	TITLE
		DRAFT WHERE APPLICABLE MUST REMAIN WITHIN DIMENSIONS	SEE CHART	MOLEX INCORPORATED DOCUMENT NO. SD-39482-001		SHEET NO. 2 OF 2	
		THIS DRAWING CONTAINS INFORMATION THAT IS PROPRIETARY TO MOLEX INCORPORATED AND SHOULD NOT BE USED WITHOUT WRITTEN PERMISSION					