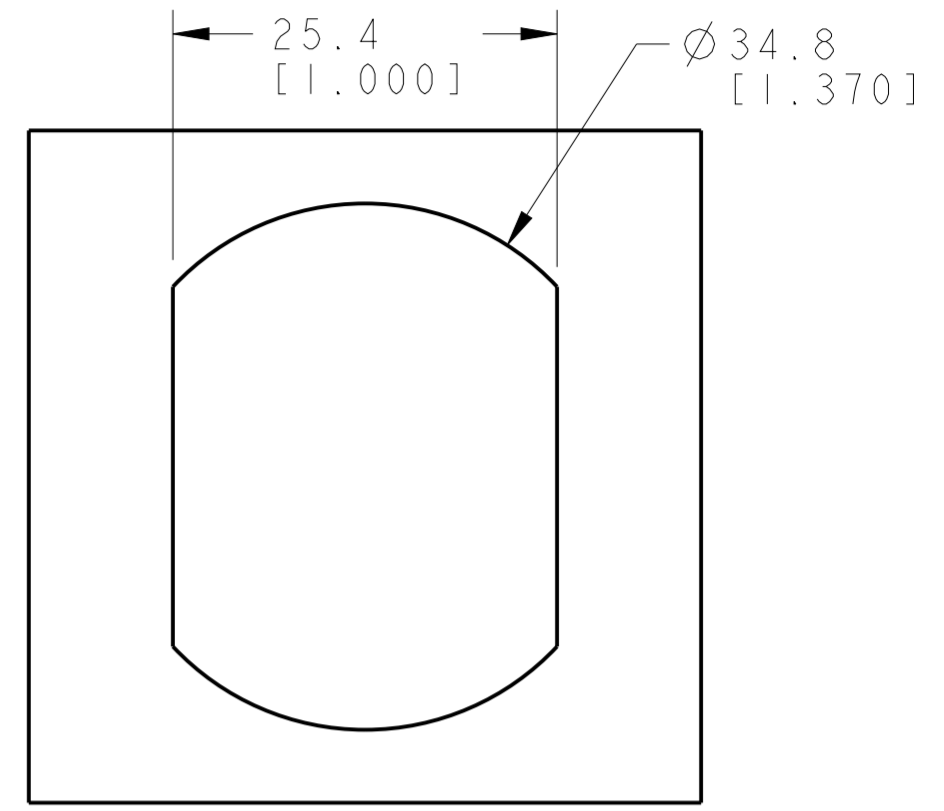
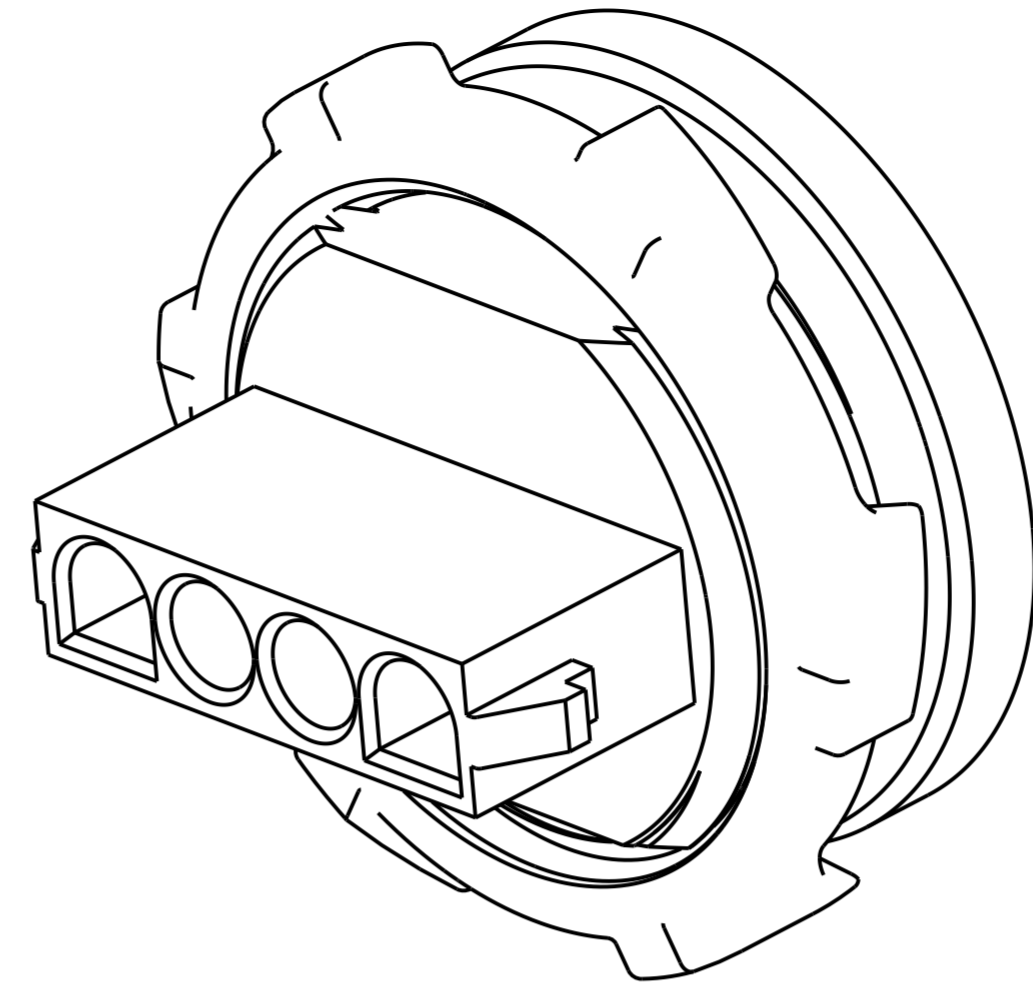
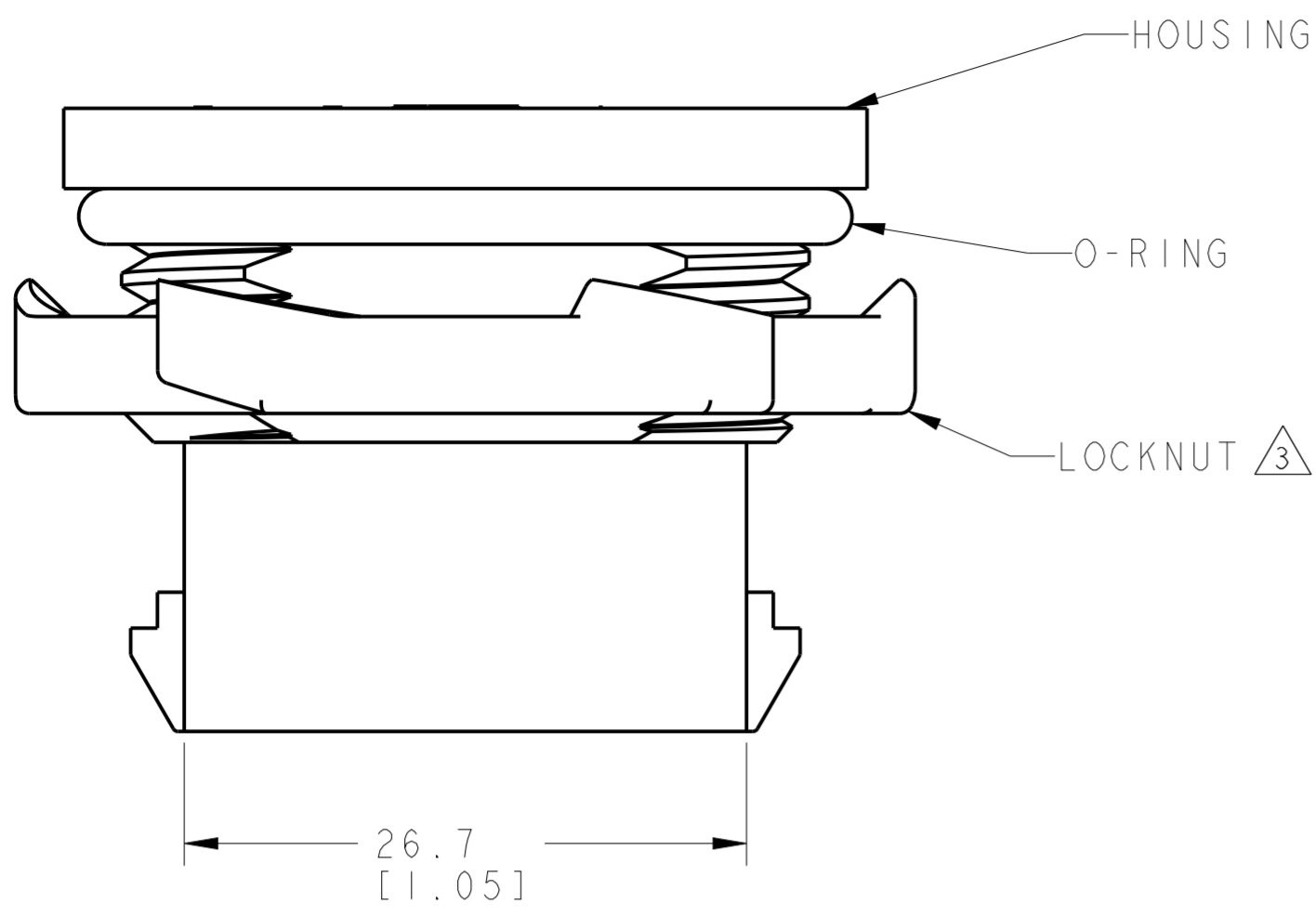
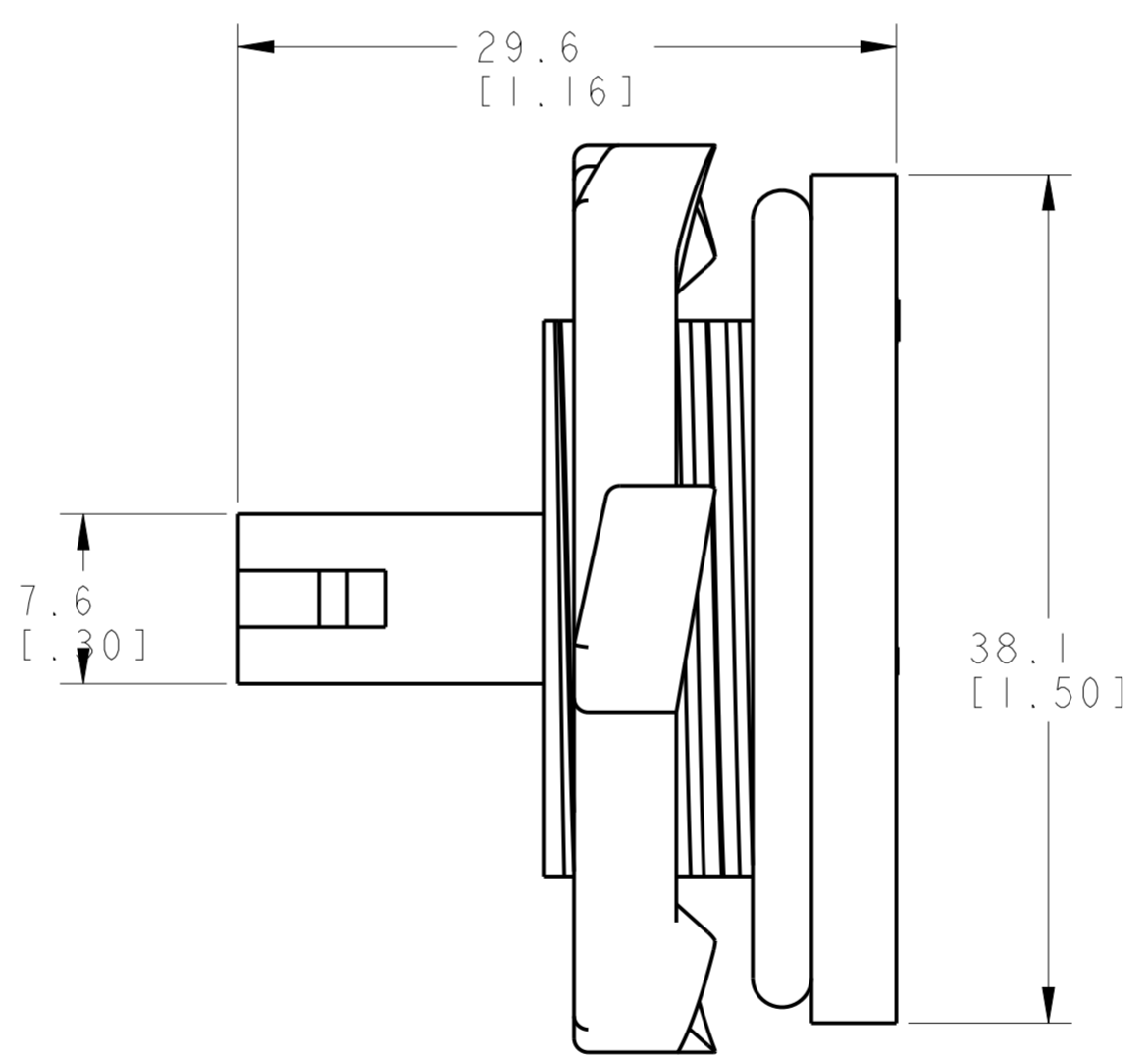
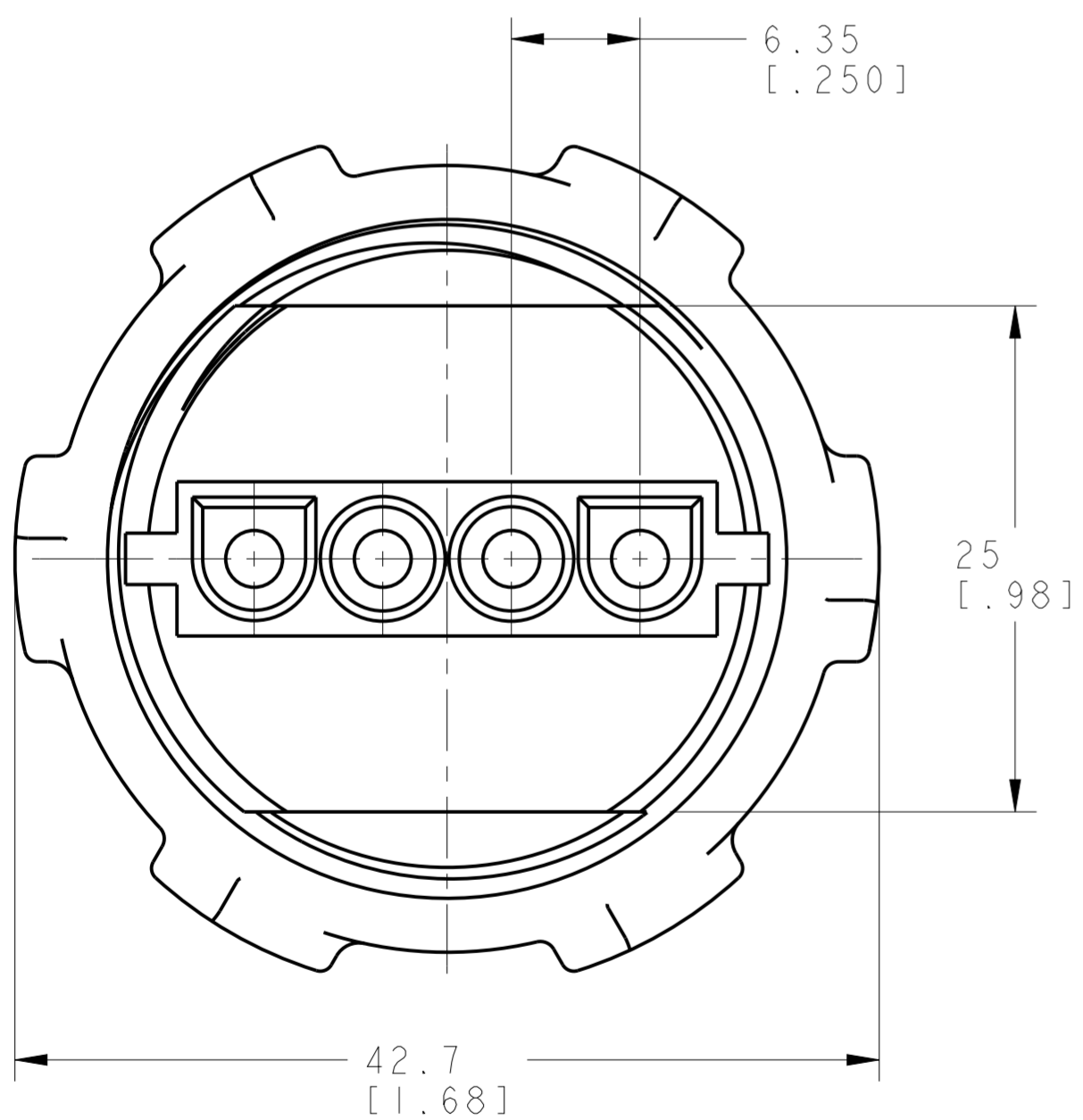


THIS DRAWING IS UNPUBLISHED. RELEASED FOR PUBLICATION 20
 © COPYRIGHT 20 BY - ALL RIGHTS RESERVED.

REVISIONS					
P	LTR	DESCRIPTION	DATE	DWN	APVD
A1		REVISED PER ECR-17-015449	25OCT2017	BDA	KR
A2		REVISED PER ECO-20-008510	17JUN2020	WLS	DZ
A3		REVISED PER ECN-20-100768	03DEC2020	WLS	VS
B		REVISED PER ECN-21-103649	10MAY2021	WLS	VS



RECOMMENDED
 PANEL CUT-OUT
 SCALE 2:1



- \triangle 1 LOCKNUT : METAL
 HOUSING : NYLON, FLAME RETARDANT, UL94-V0
 O-RING : NEOPRENE BLACK (-1) OR
 SILICONE RUBBER RED (1- -1).
- \triangle 2 LOCKNUT : PLATED
- \triangle 3 LOCKNUT, SIX(6) OR EIGHT(8) SYMETRICAL
 PLACED GRIP POINTS PERMISSIBLE.
- 4 DIMENSIONS SHOWN REPRESENT PRODUCT
 IN DRY, AS MOLDED, CONDITION.
 ADDITIONAL 2% GROWTH DUE TO SUBSEQUENT
 MOISTURE ABSORPTION MAY OCCUR AND
 SHOULD BE ACCOUNTED FOR.
- \triangle 5 ROHS COMPLIANT.

\triangle 5 1-1604256-1
 OBSOLETE ~~1604256-1~~
 PART NO

THIS DRAWING IS A CONTROLLED DOCUMENT.		DWN J.C. YOSLER 22APR2002	TE Connectivity	
DIMENSIONS: INCHES		CHK J.H. WEAVER 22APR2002		
TOLERANCES UNLESS OTHERWISE SPECIFIED:		APVD J.H. WEAVER 22APR2002	NAME BULKHEAD CONNECTOR ASSEMBLY 4 CIRCUIT, UNIVERSAL MATE-N-LOK(TM)	
0 PLC ±	1 PLC ±0.5 [.02]	PRODUCT SPEC	SIZE CAGE CODE DRAWING NO	
2 PLC ±0.13 [.005]	3 PLC ±	APPLICATION SPEC	A200779 C-1604256	
4 PLC ±	ANGLES ±	WEIGHT	RESTRICTED TO	
MATERIAL \triangle 1	FINISH \triangle 2	CUSTOMER DRAWING	SCALE 3:1 SHEET 1 OF 1 REV B	