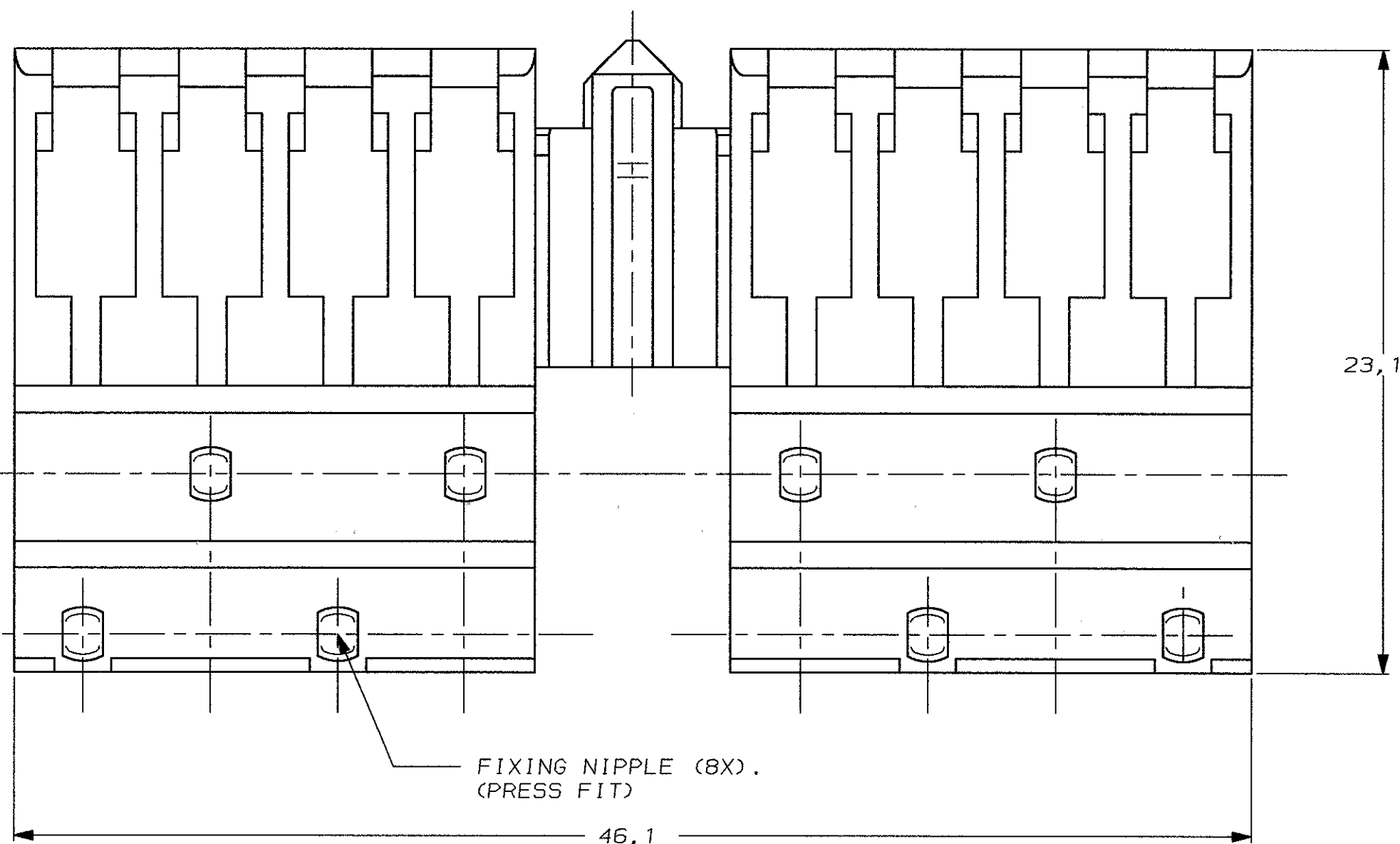
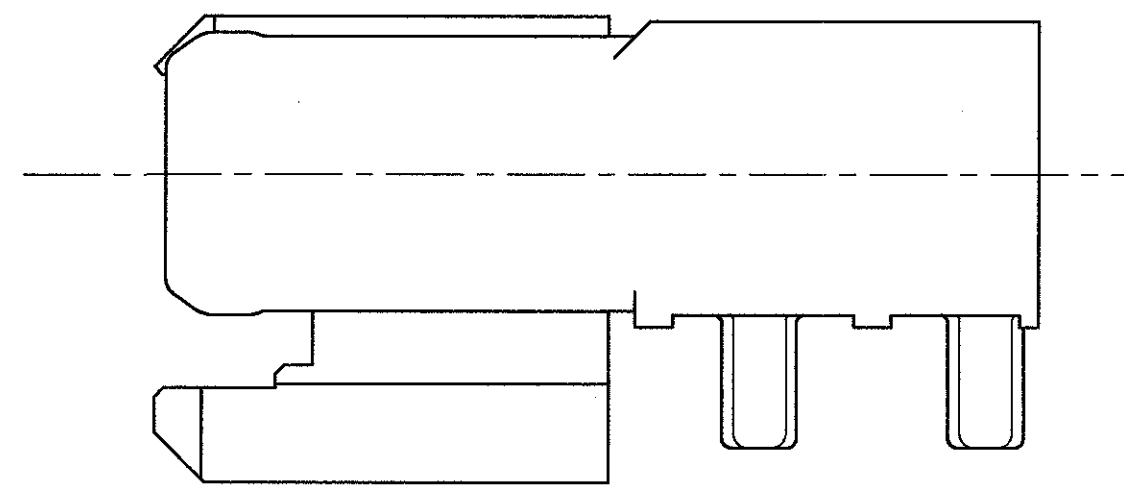
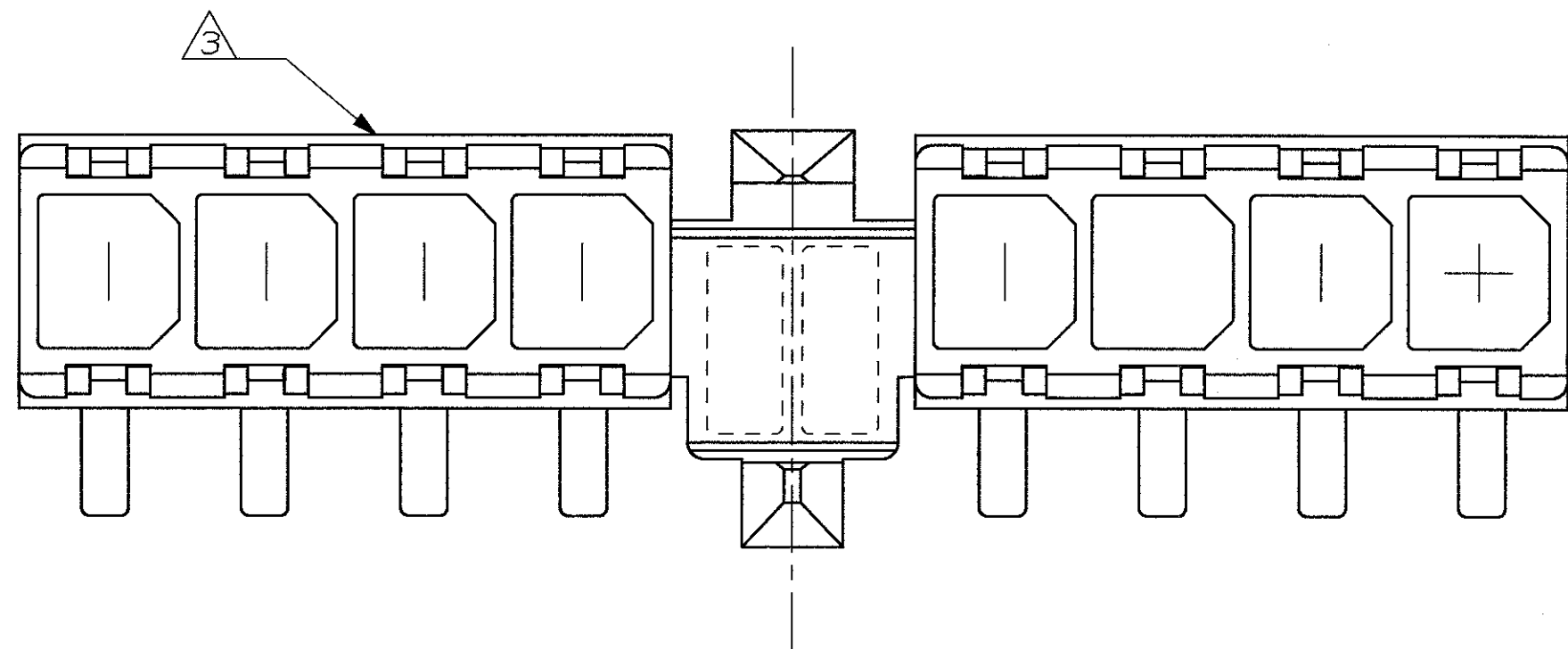
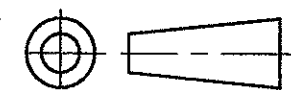


DO NOT SCALE
DIMENSIONS IN mm

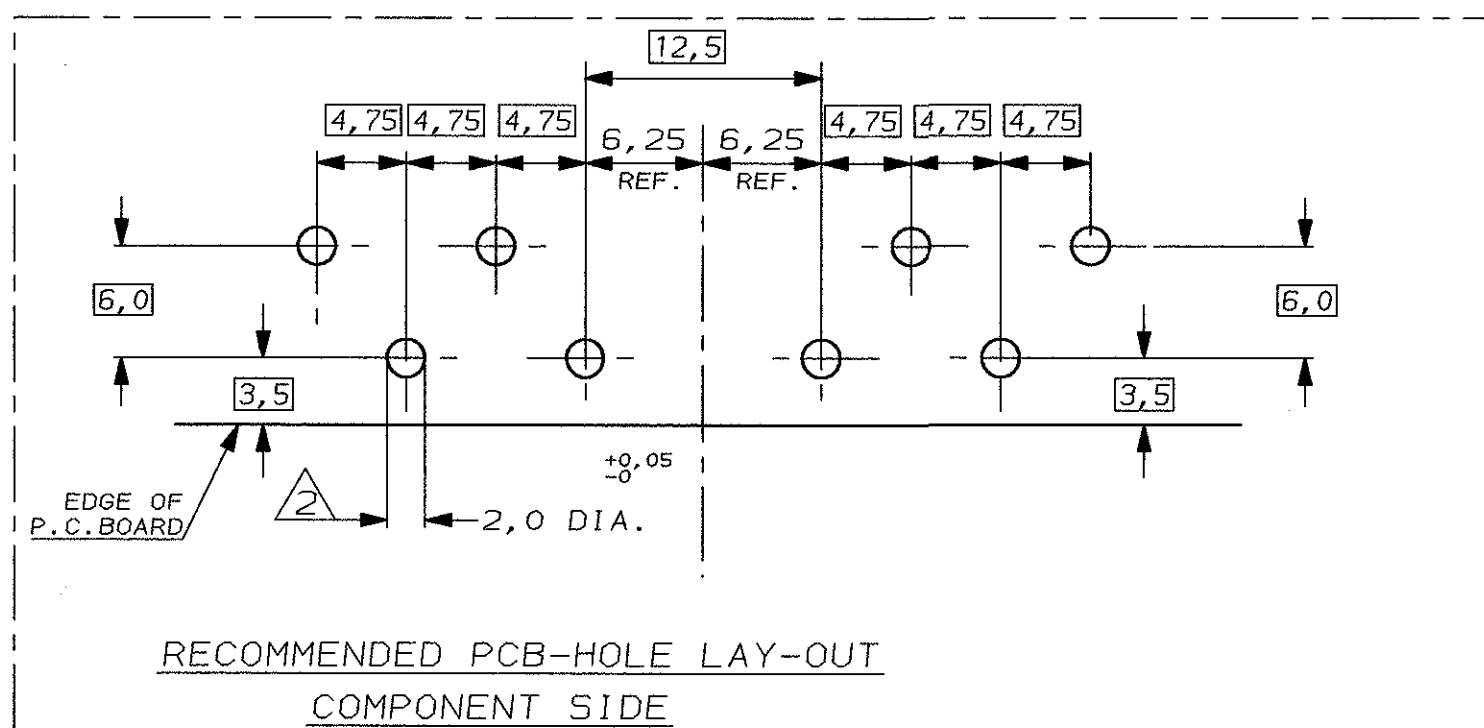
METRIC

THIRD ANGLE
PROJECTION



NOTES:

- ① MATERIAL HOUSING; GLASSFILLED POLYESTER
- ② NOT PLATED-THROUGH HOLES (8X).
- ③ CONNECTOR PRINTED WITH PARTNUMBER AND DATECODE



		FINISH		MATERIAL	106744-1
				PARTNUMBER	
				CUSTOMER DRAWING FOR REFERENCE ONLY WILL NOT BE UPDATED	
				© COPYRIGHT 19- BY AMP-HOLLAND B.V. ALL INTERNATIONAL RIGHTS RESERVED. AMP PRODUCTS MAY BE COVERED BY U.S. AND FOREIGN AND/OR PATENTS PENDING.	
				THIS DRAWING IS UNPUBLISHED RELEASED FOR PUBLICATION	
				AMP-HOLLAND B.V. 's-Hertogenbosch, The Netherlands.	
C	EH00-1381-99	WV	WV	13 AUG 99	NAME
B	EH00-0018-96	WV	WV	03 JAN 96	Z-PACK 2mm HM HYBRIB FEMALE F.O. TYPE L-MS
LTR.	REVISION RECORD	DR.	CHK.	DATE	
DR.:	W. VERMEULEN	CHK.:	W. VERMEULEN	APP.:	L. V. SOEST
DATE:	03 JAN 96	DATE:	03 JAN 96	DATE:	-
				DWG. No.	C-106744
				REV. LTR.	C
				SHEET	1 OF 1
					A2