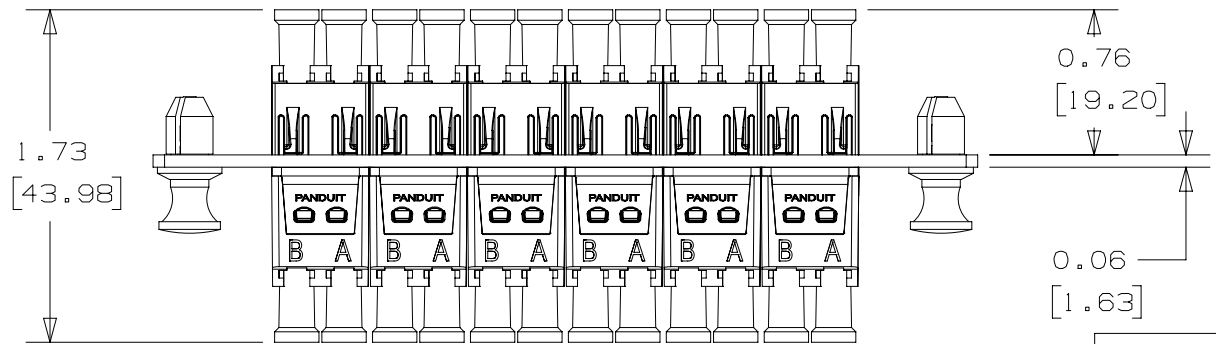
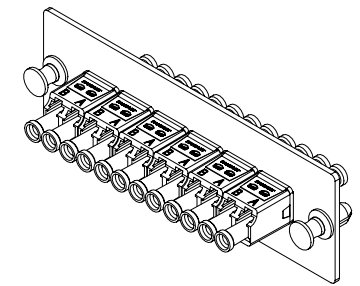
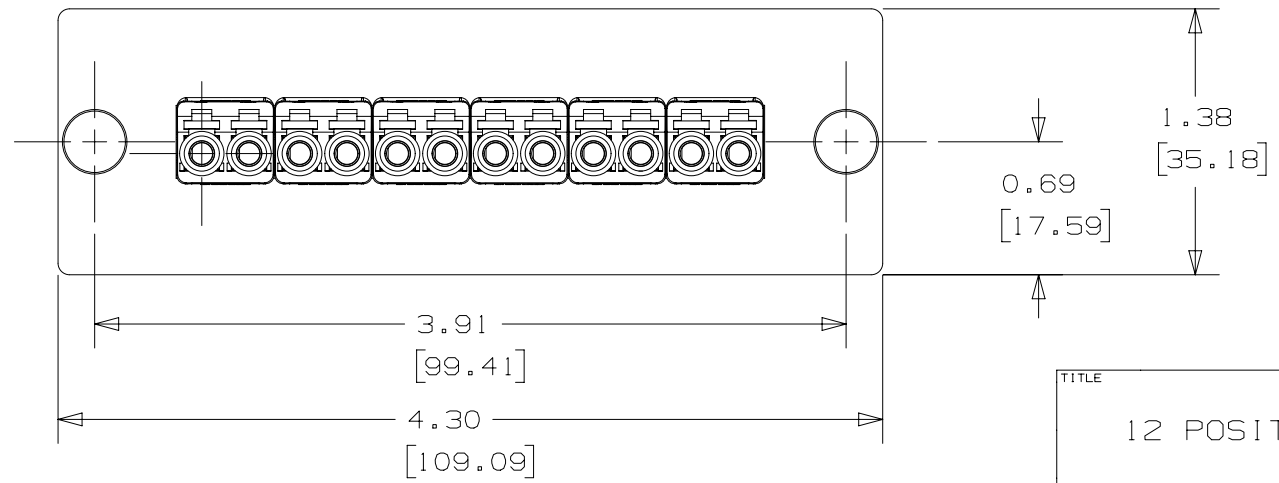


THIS COPY IS PROVIDED ON A RESTRICTED BASIS AND IS NOT TO BE USED IN ANY WAY DETRIMENTAL TO THE INTERESTS OF PANDUIT CORP.



- NOTES:
- SEE CURRENT CATALOG FOR PART NUMBER SUFFIXES TO INDICATE COLOR AND/OR PACKAGE QUANTITIES.
  - SEE CATALOG FOR COMPLETE LIST OF PARTS APPLICABLE FOR USE WITH THIS PRODUCT.
  - MATERIALS:
    - PLATE: C.R.S. POWDER COATED
    - ADAPTER: COMPOSITE, AQUA OR BLUE
    - SPLIT SLEEVE: SEE TABLE
  - DIMENSIONS IN [ ] ARE METRIC.

| PANDUIT P/N | WEIGHT                                 | SPLIT SLEEVE TYPE |
|-------------|--|-------------------|
| FAP12WAQLCZ | 1.28 lb/10 Pcs.<br>[ 580.6 g/10 Pcs. ] | ZIRCONIA          |
| FAP12WBULCZ | 1.28 lb/10 Pcs.<br>[ 580.6 g/10 Pcs. ] | ZIRCONIA          |



|  |                        |                                    |       |
|--|------------------------|------------------------------------|-------|
| TITLE  |                        | 12 POSITION LC FIBER ADAPTER PANEL |       |
| CUSTOMER DRAWING   |                        | <b>PANDUIT</b>                     |       |
| ITEM REVISION NAME   |                        |                                    |       |
| M01945DX/00  |                        | FAP12WAQLCZ<br>FAP12WBULCZ         |       |
| DATASET FILE NAME  |                        | DRAWING NUMBER:                    |       |
| M01945DX_DC/00A  |                        | 01945-167                          |       |
| UNLESS OTHERWISE SPECIFIED,<br>DIMENSIONAL TOLERANCES ARE: IN (mm) |                        |                                    |       |
| .x ± .03 (0.8)   |                        | .xxx ± .010 (0.3)                  |       |
| .xx ± .03 (0.8)  |                        | ANGLES ±                           |       |
|  |                        | THIRD ANGLE PROJECTION             |       |
| DRAWN BY   | DATE                   | CHK                                | SCALE |
| BSN  | 11-30-16               | WJM                                | NONE  |
| REV  | DATE                   | BY                                 | CHK   |
| 00   | 11-30-16               | BSN                                | WJM   |
| APR  | DESCRIPTION            | ECN                                | SIZE  |
| TMK  | RELEASED TO PRODUCTION | 01945-167                          | A     |

| 00  | 11-30-16 | BSN | WJM | TMK | RELEASED TO PRODUCTION | 01945-167 |
|-----|----------|-----|-----|-----|------------------------|-----------|
| REV | DATE     | BY  | CHK | APR | DESCRIPTION            | ECN       |