

# FLX-D37F/16OSC/24DC/DO/TDC3K - Active module



2908890

<https://www.phoenixcontact.com/us/products/2908890>

Please be informed that the data shown in this PDF document is generated from our online catalog. Please find the complete data in the user documentation. Our general terms of use for downloads are valid.



Migration board for converting TDC3000 to modern control platforms, digital output, 16 channel, SSR

## Your advantages

- Panel mount to existing TDC3000 chassis
- Compatible with existing pluggable field wiring connectors
- DSUB control side connection
- Terminal blocks for power supply
- Per channel fusing
- LED blown fuse indication

## Commercial data

Item number	2908890
Packing unit	1 pc
Sales key	C421
Product key	CK21B3
GTIN	4055626733074
Weight per piece (including packing)	1,050 g
Weight per piece (excluding packing)	1,000 g
Customs tariff number	85176200
Country of origin	US

## Technical data

### Notes

General	For proper use, the specifications of the installation directive (see Downloads) must be observed.
---------	--

### Product properties

Product type	Interface module
--------------	------------------

#### Insulation characteristics

Overvoltage category	II
Pollution degree	2

### Electrical properties

Supported controller HONEYWELL TDC3000

Suitable I/O card	TDOD11
	TDOD12
	TDOD13

### Input data

Nominal input voltage $U_N$	24 V DC
Input voltage range	19.5 V DC ... 32 V DC
Typical input current at $U_N$	18 mA
Typical response time	100 $\mu$ s
Typical release time	750 $\mu$ s

### Output data

#### Switching

Maximum switching voltage	60 V DC
Limiting continuous current	1.25 A
Error detection (line break / short-circuit)	no

### Connection data

#### Controller level

Connection method	D-SUB 37 female connector
Number of connections	1
Number of positions	37

#### Field level

Connection method	pluggable
-------------------	-----------

### Signaling

Status display present	Yes
------------------------	-----

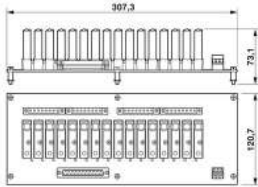
# FLX-D37F/16OSC/24DC/DO/TDC3K - Active module



2908890

<https://www.phoenixcontact.com/us/products/2908890>

## Dimensions

Dimensional drawing	
Width	307.3 mm
Height	120.7 mm
Depth	73.1 mm

## Environmental and real-life conditions

### Ambient conditions

Ambient temperature (operation)	-40 °C ... 70 °C
Ambient temperature (storage/transport)	-40 °C ... 75 °C
Altitude	< 2000 m
Permissible humidity (operation)	< 90 %

## Mounting

Mounting type	TDC3000 chassis
Mounting position	any

# FLX-D37F/16OSC/24DC/DO/TDC3K - Active module

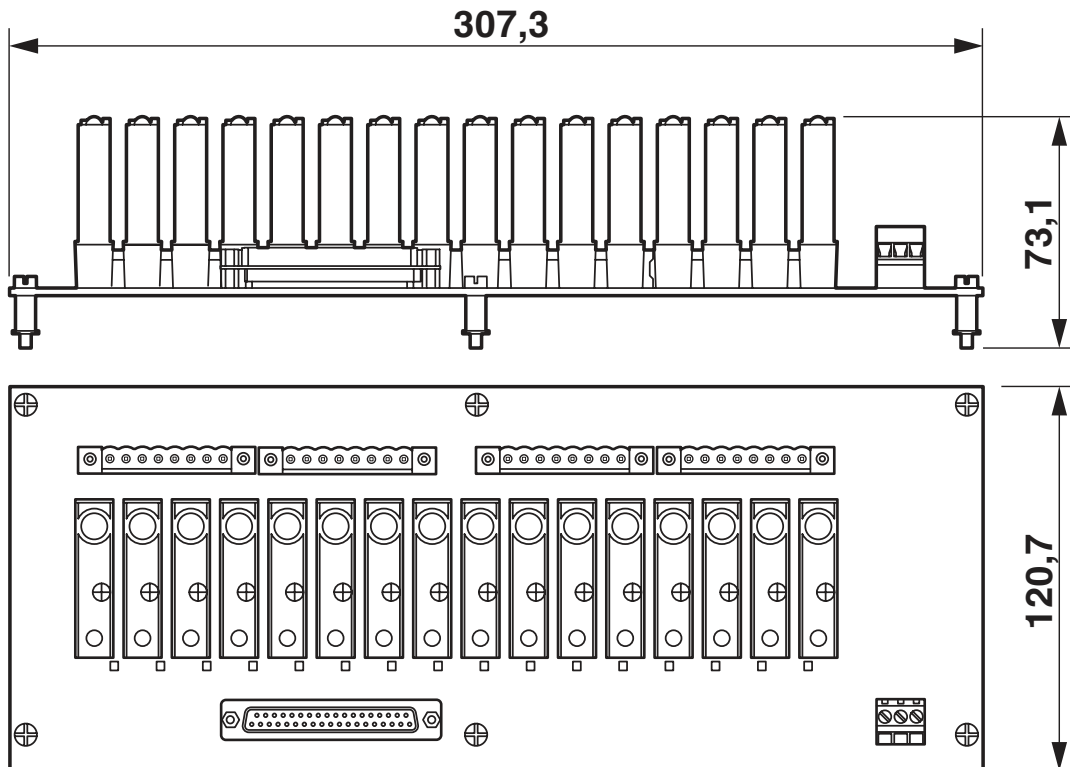


2908890

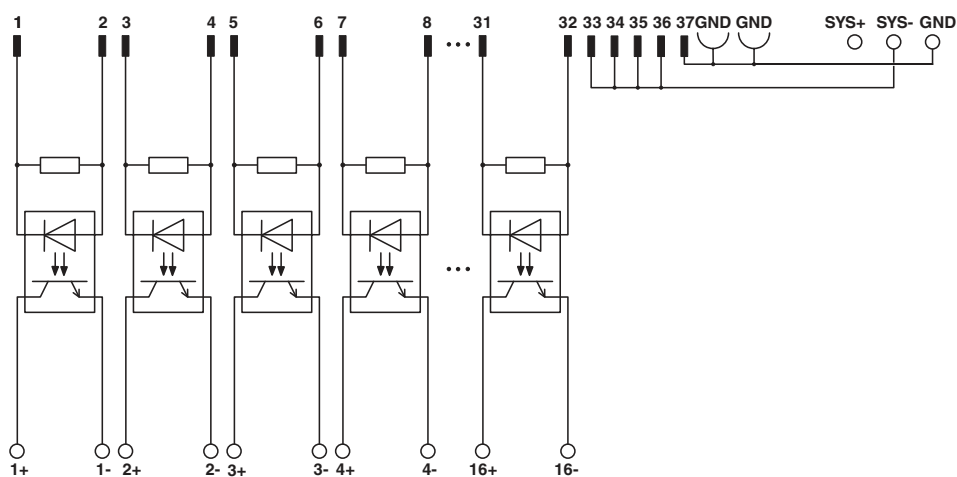
<https://www.phoenixcontact.com/us/products/2908890>

## Drawings

Dimensional drawing



Circuit diagram



# FLX-D37F/16OSC/24DC/DO/TDC3K - Active module





2908890


<https://www.phoenixcontact.com/us/products/2908890>


## Approvals

To download certificates, visit the product detail page: <https://www.phoenixcontact.com/us/products/2908890>

 <b>CSA</b> Approval ID: 108860_0_000				
	Nominal voltage $U_N$	Nominal current $I_N$	Cross section AWG	Cross section $mm^2$
Output	-	2 A	-	-
Input	-	0.018 A	-	-
Observe derating	-	1.25 A	-	-

 <b>cUL Recognized</b> Approval ID: FILE E 238705				
	Nominal voltage $U_N$	Nominal current $I_N$	Cross section AWG	Cross section $mm^2$
Output	-	1.25 A	-	-
Input	-	0.018 A	-	-
Observe derating	-	2 A	-	-

 <b>UL Recognized</b> Approval ID: FILE E 238705				
	Nominal voltage $U_N$	Nominal current $I_N$	Cross section AWG	Cross section $mm^2$
Output	-	1.25 A	-	-
Input	-	0.018 A	-	-
Observe derating	-	2 A	-	-

 <b>CSAus</b> Approval ID: 108860_0_000				
	Nominal voltage $U_N$	Nominal current $I_N$	Cross section AWG	Cross section $mm^2$
Output	-	2 A	-	-
Input	-	0.018 A	-	-
Observe derating	-	1.25 A	-	-

**cULus Recognized**

**cCSAus**

# FLX-D37F/16OSC/24DC/DO/TDC3K - Active module



2908890

<https://www.phoenixcontact.com/us/products/2908890>

## Classifications

### ECLASS

ECLASS-11.0	27141152
ECLASS-12.0	27141152
ECLASS-13.0	27141152

### ETIM

ETIM 8.0	EC002780
----------	----------

### UNSPSC

UNSPSC 21.0	39121400
-------------	----------

# FLX-D37F/16OSC/24DC/DO/TDC3K - Active module



2908890

<https://www.phoenixcontact.com/us/products/2908890>

## Environmental product compliance

REACH SVHC

Lead 7439-92-1

# FLX-D37F/16OSC/24DC/DO/TDC3K - Active module



2908890

<https://www.phoenixcontact.com/us/products/2908890>

## Accessories

### CAB-DSUB37M/OE/22/S/ 1M - Cable

2909622

<https://www.phoenixcontact.com/us/products/2909622>



Assembled shielded round cable; connection 1: Single wires (37-position) (The wires are marked and fitted with ferrules); connection 2: D-SUB pin strip (1x 37-position); cable length: 1 m

---

### CAB-DSUB37M/OE/22/S/ 3M - Cable

2909623

<https://www.phoenixcontact.com/us/products/2909623>



Assembled shielded round cable; connection 1: Single wires (37-position) (The wires are marked and fitted with ferrules); connection 2: D-SUB pin strip (1x 37-position); cable length: 3 m



# FLX-D37F/16OSC/24DC/DO/TDC3K - Active module



2908890

<https://www.phoenixcontact.com/us/products/2908890>

## CAB-DSUB37M/OE/22/S/ 5M - Cable

2909624

<https://www.phoenixcontact.com/us/products/2909624>



Assembled shielded round cable; connection 1: Single wires (37-position) (The wires are marked and fitted with ferrules); connection 2: D-SUB pin strip (1x 37-position); cable length: 5 m

---

## CAB-DSUB37M/OE/22/S/10M - Cable

2909625

<https://www.phoenixcontact.com/us/products/2909625>



Assembled shielded round cable; connection 1: Single wires (37-position) (The wires are marked and fitted with ferrules); connection 2: D-SUB pin strip (1x 37-position); cable length: 10 m

# FLX-D37F/16OSC/24DC/DO/TDC3K - Active module



2908890

<https://www.phoenixcontact.com/us/products/2908890>

## CAB-DSUB37M/OE/22/S/15M - Cable

2909626

<https://www.phoenixcontact.com/us/products/2909626>



Assembled shielded round cable; connection 1: Single wires (37-position) (The wires are marked and fitted with ferrules); connection 2: D-SUB pin strip (1x 37-position); cable length: 15 m

---

## CAB-DSUB37M/OE/22/S/30M - Cable

2909627

<https://www.phoenixcontact.com/us/products/2909627>



Assembled shielded round cable; connection 1: Single wires (37-position) (The wires are marked and fitted with ferrules); connection 2: D-SUB pin strip (1x 37-position); cable length: 30 m

# FLX-D37F/16OSC/24DC/DO/TDC3K - Active module



2908890

<https://www.phoenixcontact.com/us/products/2908890>

## CAB-DSUB37M/OE/22/TP/S/ 1M - Cable

2909723

<https://www.phoenixcontact.com/us/products/2909723>



Assembled shielded round cable; connection 1: Twisted pair (37-position) (The wires are marked and fitted with ferrules); connection 2: D-SUB pin strip (1x 37-position); cable length: 1 m

---

## CAB-DSUB37M/OE/22/TP/S/ 3M - Cable

2909724

<https://www.phoenixcontact.com/us/products/2909724>



Assembled shielded round cable; connection 1: Twisted pair (37-position) (The wires are marked and fitted with ferrules); connection 2: D-SUB pin strip (1x 37-position); cable length: 3 m

# FLX-D37F/16OSC/24DC/DO/TDC3K - Active module



2908890

<https://www.phoenixcontact.com/us/products/2908890>

## CAB-DSUB37M/OE/22/TP/S/ 5M - Cable

2909725

<https://www.phoenixcontact.com/us/products/2909725>



Assembled shielded round cable; connection 1: Twisted pair (37-position) (The wires are marked and fitted with ferrules); connection 2: D-SUB pin strip (1x 37-position); cable length: 5 m

---

## CAB-DSUB37M/OE/22/TP/S/10M - Cable

2909726

<https://www.phoenixcontact.com/us/products/2909726>



Assembled shielded round cable; connection 1: Twisted pair (37-position) (The wires are marked and fitted with ferrules); connection 2: D-SUB pin strip (1x 37-position); cable length: 10 m

# FLX-D37F/16OSC/24DC/DO/TDC3K - Active module



2908890

<https://www.phoenixcontact.com/us/products/2908890>

## CAB-DSUB37M/OE/22/TP/S/15M - Cable

2909728

<https://www.phoenixcontact.com/us/products/2909728>



Assembled shielded round cable; connection 1: Twisted pair (37-position) (The wires are marked and fitted with ferrules); connection 2: D-SUB pin strip (1x 37-position); cable length: 15 m

---

## CAB-DSUB37M/OE/22/TP/S/30M - Cable

2909729

<https://www.phoenixcontact.com/us/products/2909729>



Assembled shielded round cable; connection 1: Twisted pair (37-position) (The wires are marked and fitted with ferrules); connection 2: D-SUB pin strip (1x 37-position); cable length: 30 m

---

Phoenix Contact 2023 © - all rights reserved  
<https://www.phoenixcontact.com>

Phoenix Contact USA  
586 Fulling Mill Road  
Middletown, PA 17057, United States  
(+717) 944-1300  
[info@phoenixcon.com](mailto:info@phoenixcon.com)