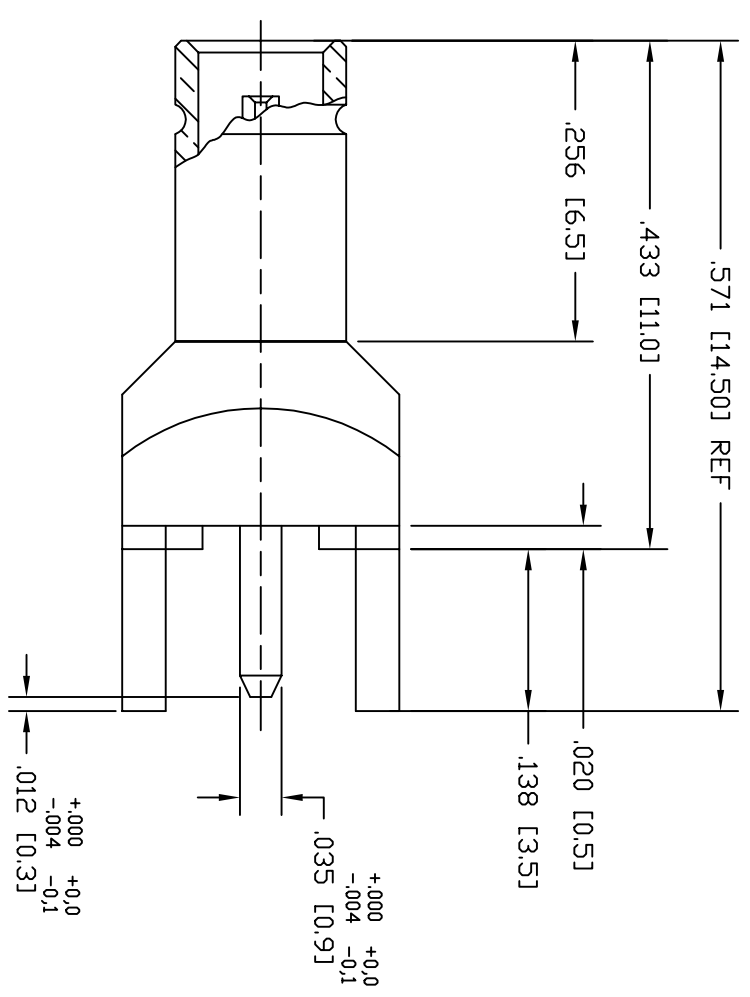
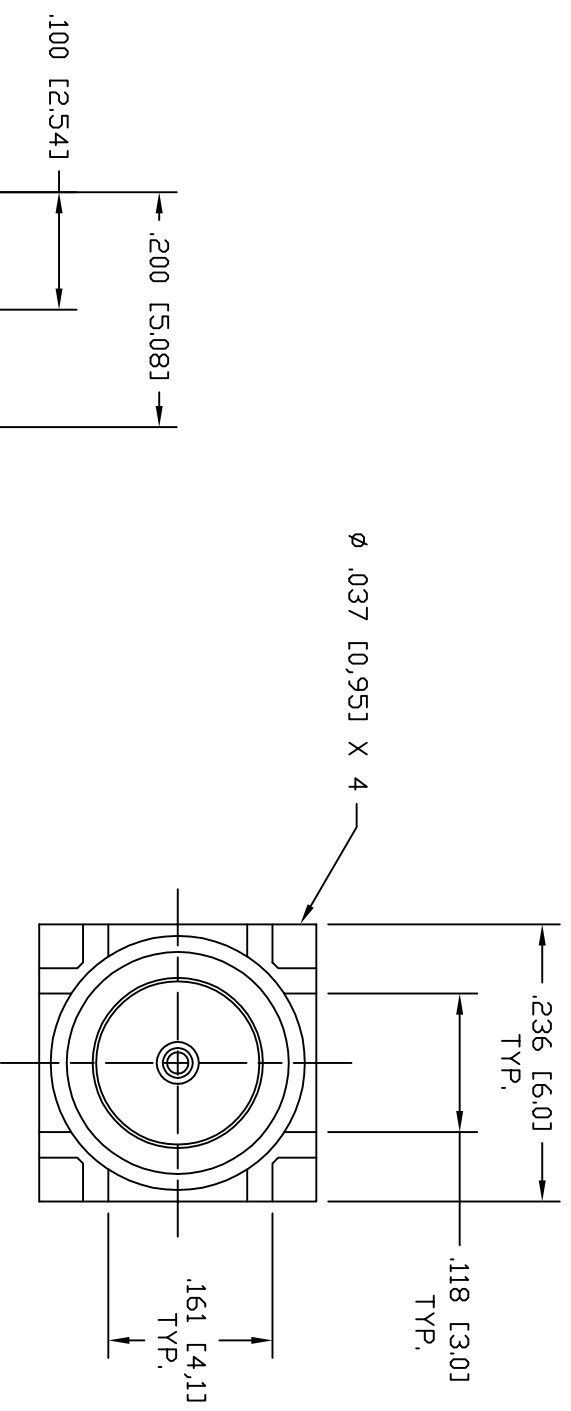


NOTES:

1. MATERIALS OF CONSTRUCTION:
CONTACT = BERYLLIUM COPPER, GOLD PLATED.
BODY = BRASS, GOLD PLATED.
INSULATOR = PTFE
2. DO NOT SCALE THIS DRAWING.
3. UNLESS OTHERWISE SPECIFIED, ALL DIMENSIONS ARE AFTER PLATING.

102-692-01		REV		DESCRIPTION		DATE	ECO	APPR
DRAWING NO.	REV	DESCRIPTION	DATE	ECO	APPR			
THIRD ANGLE PROJ.	A	RELEASE TO MFG.	2/11/99	42835	CPM/			
	B	SEE SHEET 1	1/17/03	44331	CPM/			



RECOMMENDED
MOUNTING HOLE

5 HOLES $\phi .059 [1.5]$ MIN

CUSTOMER OUTLINE DRAWING

ALL OTHER SHEETS ARE FOR INTERNAL USE ONLY

UNLESS OTHERWISE SPECIFIED, DIMENSIONS ARE IN INCHES AND TOLERANCES ARE:
 2 PLACE DECIMAL
 3 PLACE DECIMAL
 ANGLES
 $\pm .015 (0.381 \text{ mm})$
 $\pm .005 (0.127 \text{ mm})$
 $\pm 1^\circ$

MATERIAL

DRAWN
C. MCGRATH
2/08/99

ENGINEER
T. AUBIN
2/08/99

APPROVED
D. BARTHELMES
1/17/03

NOTICE - These drawings, specifications, or other data (1) are, and remain the property of Amphenol Corp. (2) must be returned upon request; and (3) are confidential and not to be disclosed to any person other than those to whom they are given by Amphenol Corp. The furnishing of these drawings, specifications, or other data by Amphenol Corp., or to any other person to anyone for any purpose is not to be regarded by implication or otherwise in any manner licensing, granting rights or permitting such holder or any other person to manufacture, use or sell any product, process or design, patented or otherwise, that may in any way be related to or disclosed by said drawings, specifications, or other data.

REFERENCE

ENGINEER
T. AUBIN
2/08/99

APPROVED
D. BARTHELMES
1/17/03

SCALE: 6:1
SHEET 2 OF 2

Amphenol Corporation
RF/Microwave Operations
Danbury, Conn. U.S.A. 06810

CODE ID
74868

DWG SIZE
B

DRAWING NO.
102-692-01

REV
B