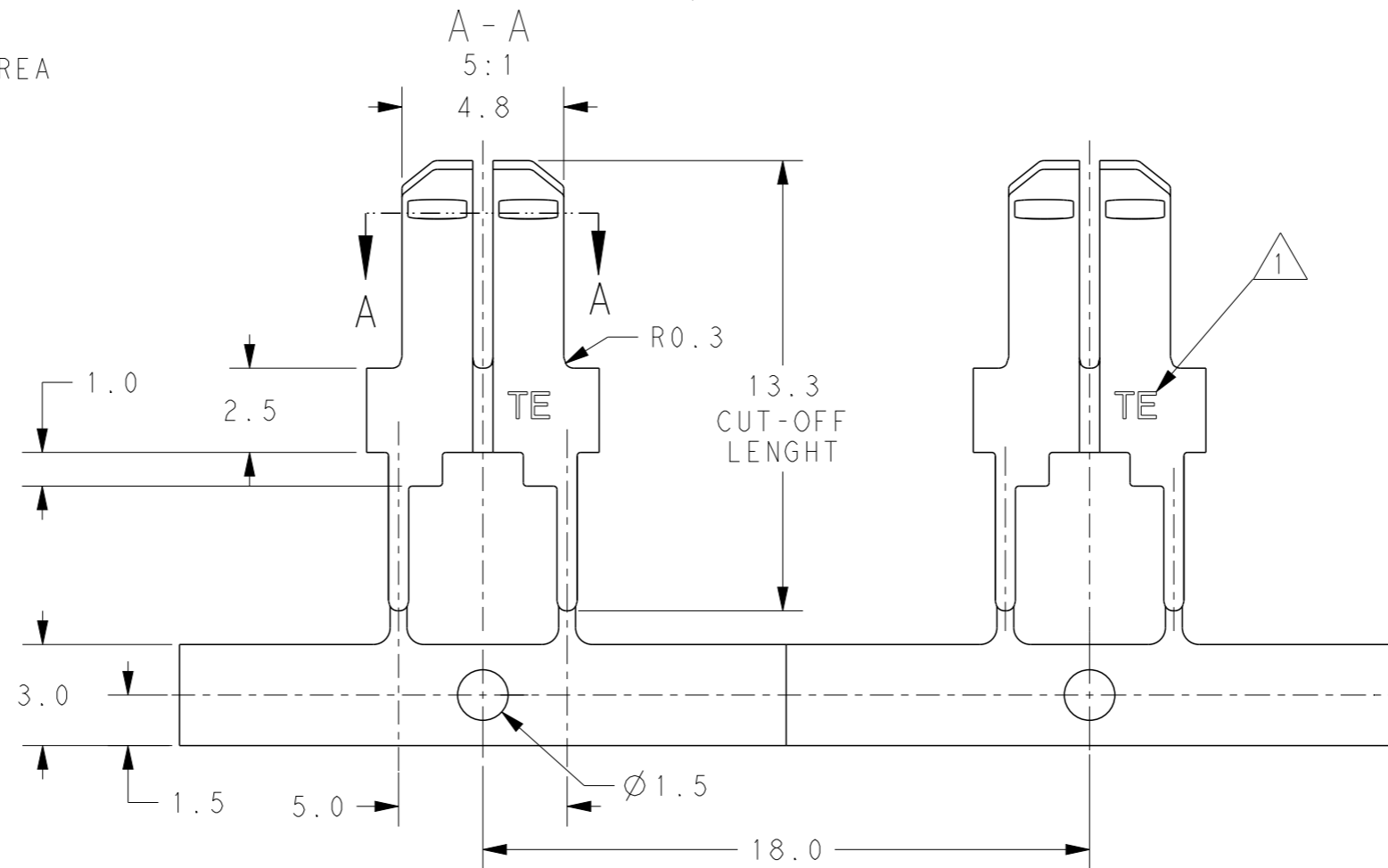
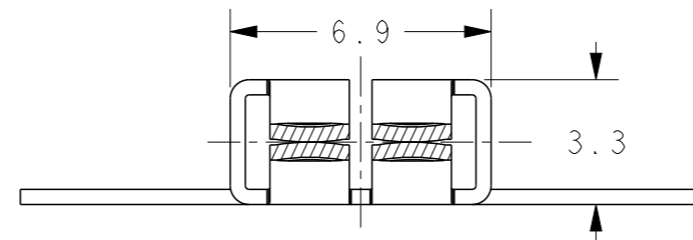
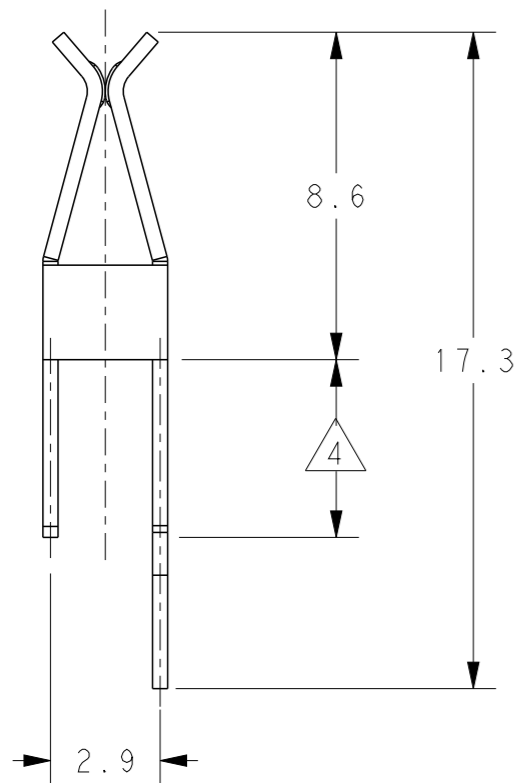
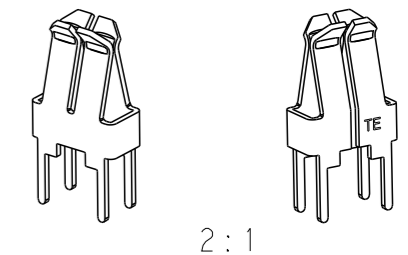
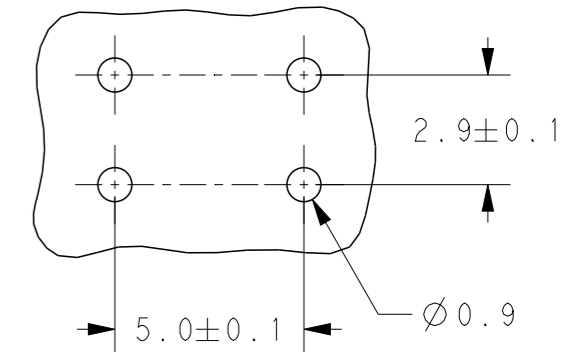


P	LTR	DESCRIPTION	DATE	DWN	APVD
	D	E-14-000746	17APR2014	JCB	RS
	D1	E-17-018108	12DEC2017	SCK	MN
	D2	ADDED DIRECTION OFF TOP OF REEL FOR -2	01MAR2021	JJH	MN
	D3	CORRECTED PART NUMBER IN PART TABLE	12MAY2023	CK	KMD

- 1 TE TRADE MARK
- 2 PRETINNED 2µm MIN. ALL OVER
- 3 LOOSE PIECE VERSION
- 4 POSTTINNED 3µm MIN. IN THIS AREA



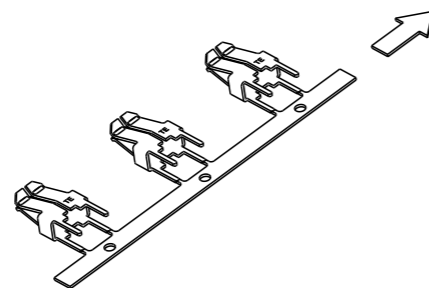
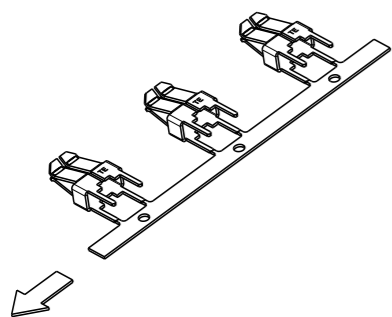
P.C.B. LAYOUT



TINPLATED	PHOSPHORBRONZE	1-188685-3	3	G
TINPLATED 2 4	PHOSPHORBRONZE	188685-3	6	G
PRETINNED	PHOSPHORBRONZE	1-188685-2	3	G
PRETINNED 2	PHOSPHORBRONZE	188685-2	5	G
FINISH	MATERIAL	PN	REV	

5 DIRECTION OFF TOP OF REEL

6 DIRECTION OFF TOP OF REEL



THIS DRAWING IS A CONTROLLED DOCUMENT.

DWN J. CARRETERO 15MAY2014

CHK X. PARERAS 15MAY2014

APVD R. SOLE 15MAY2014

PRODUCT SPEC -

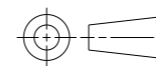
APPLICATION SPEC -

WEIGHT -

CUSTOMER DRAWING

DIMENSIONS:

mm



TOLERANCES UNLESS OTHERWISE SPECIFIED:

0 PLC	±0.3
1 PLC	±0.01
2 PLC	±0.001
3 PLC	±0.0001
4 PLC	±0.0001
ANGLES	±

MATERIAL SEE TABLE

FINISH SEE TABLE



TE Connectivity

NAME STANDARD TIMER CONTACT FOR P.C.B. APPLICATION

SIZE A3 CAGE CODE 00779 DRAWING NO. C-188685

RESTRICTED TO -

SCALE 5:1 SHEET 1 OF 1 REV D3