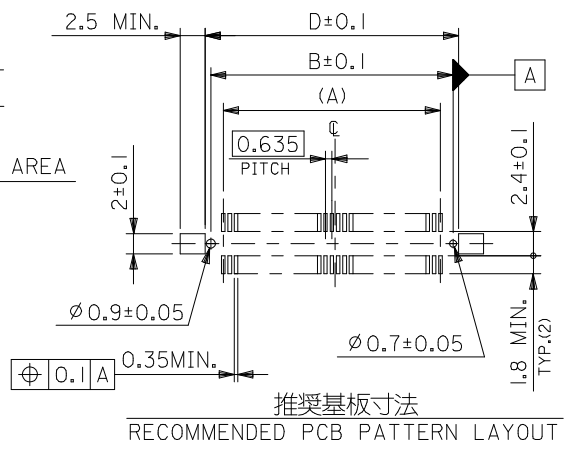
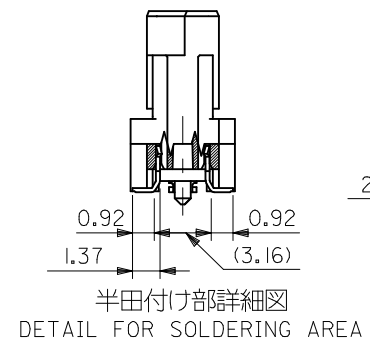
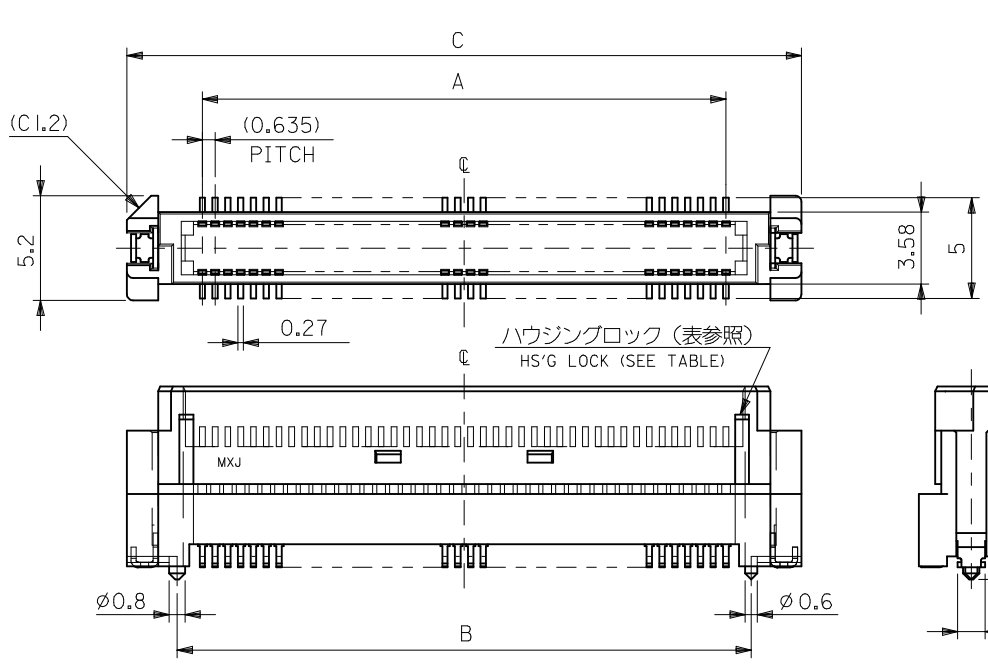


- 注) NOTES
- 材質 MATERIAL
ハウジング: ガラス入りPPS、茶色、UL94V-0
HOUSING: GLASS FILLED PPS, BROWN, UL94V-0
ターミナル: 黄銅 ($\sigma=0.2$)
TERMINAL: BRASS
 - メッキ仕様 PLATING
接点部 : 金メッキ 0.25 μm 以上
CONTACT AREA: GOLD 0.25 MICROMETER MINIMUM
半田付け部: 錫メッキ 1.0 μm 以上
SOLDER TAIL AREA: TIN 1.0 MICROMETER MINIMUM
下地メッキ: ニッケルメッキ 1.5 μm 以上
UNDER-PLATING: NICKEL 1.5 MICROMETER MINIMUM
 - テールのバラツキ寸法 TAIL COPLANARITY
テールの平坦度は、0.1以下とする。
TAIL COPLANARITY TO BE 0.1 MAXIMUM.
 - 本製品は 53553-***7 の鉛フリー品である。
THIS PRODUCT IS LEAD FREE OF 53553-***7.

10 mm	52760 シリーズ
基板間寸法 STACKING HEIGHT	嵌合相手 TO BE MATED WITH

無し NO	66.47	70.37	65.37	62.865	---	---	53553-2077	200
	60.12	64.02	59.02	56.515	---	53553-1879	53553-1877	180
	53.77	57.67	52.67	50.165	---	53553-1679	53553-1677	160
	47.42	51.32	46.32	43.815	---	53553-1479	53553-1477	140
	34.72	38.62	33.62	31.115	53553-1078	53553-1079	53553-1077	100
28.37	32.27	27.27	24.765	53553-0878	---	53553-0877	80	
有り YES	22.02	25.92	20.92	18.415	---	53553-0679	53553-0677	60
15.67	19.57	14.57	12.065	---	---	53553-0477	40	
ハウジングロック HSG LOCK	D	C	B	A	エンボス梱包 EMBOSSED PACKAGING	スティック梱包 STICK PACKAGING	製品番号 MATERIAL NO.	極数 CKT. NO.
							MODEL NO.	53553-***77

REVISED EC NO: J2017-0575 DRW: KTOYODA CHKD: TASAKAWA APPR: MSASAO 2012/02/02 2012/02/02 2017/06/29	GENERAL TOLERANCES (UNLESS SPECIFIED)	DIMENSION STYLE MM ONLY	SCALE ---	DESIGN UNITS METRIC	THIRD ANGLE PROJECTION
	0.25 UNDER ± 0.05	DRAWN BY T. UENO	DATE '04/02/27	TITLE 0.635 PITCH B-T0-B S/T PLUG HSG ASSY -LEAD FREE-	
	0.25 OVER 0.5 UNDER ± 0.05	CHECKED BY M. SASAO	DATE '04/02/27		
	0.5 OVER 1.0 UNDER ± 0.1	APPROVED BY M. SASAO	DATE '04/02/27		
1.0 OVER 10 UNDER ± 0.2	MATERIAL NO.	SEE CHART	DOCUMENT NO.	SD-53553-006	SHEET NO. 1 OF 1
10 OVER 30 UNDER ± 0.25	DRAFT WHERE APPLICABLE MUST REMAIN WITHIN DIMENSIONS				
30 OVER ± 0.3	SIZE A3	THIS DRAWING CONTAINS INFORMATION THAT IS PROPRIETARY TO MOLEX ELECTRONIC TECHNOLOGIES, LLC AND SHOULD NOT BE USED WITHOUT WRITTEN PERMISSION			
ANGULAR $\pm 3^\circ$					

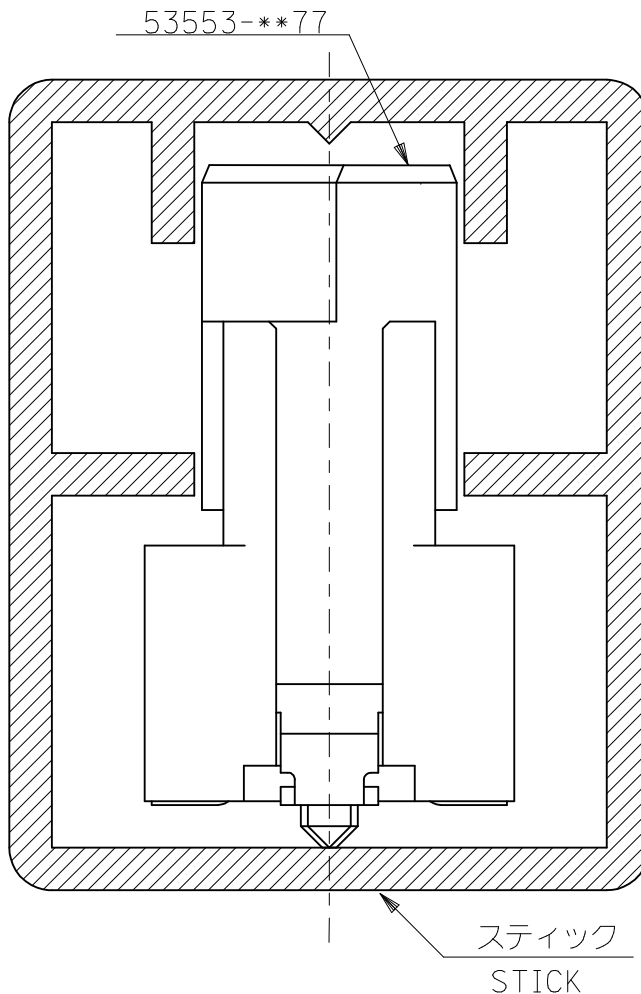


- 注) NOTES
- 材質 MATERIAL
ハウジング: ガラス入りPPS、茶色、UL94V-0
HOUSING: GLASS FILLED PPS, BROWN, UL94V-0
ターミナル: 黄銅 ($\phi = 0.2$)
TERMINAL: BRASS
 - メッキ仕様 PLATING
接点部: 金メッキ 0.25 μ m以上
CONTACT AREA: GOLD 0.25 MICROMETER MINIMUM
半田付け部: 錫メッキ 1.0 μ m以上
SOLDER TAIL AREA: TIN 1.0 MICROMETER MINIMUM
下地メッキ: ニッケルメッキ 1.5 μ m以上
UNDER-PLATING: NICKEL 1.5 MICROMETER MINIMUM
 - テールのバラツキ寸法 TAIL COPLANARITY
テールの平坦度は、0.1以下とする。
TAIL COPLANARITY TO BE 0.1 MAXIMUM.
 - 本製品は 53553-***7 の鉛フリー品である。
THIS PRODUCT IS LEAD FREE OF 53553-***7.

10 mm	52760 シリーズ
基板間寸法 STACKING HEIGHT	嵌合相手 TO BE MATED WITH

無し NO	66.47	70.37	65.37	62.865	---	---	53553-2077	200
	60.12	64.02	59.02	56.515	---	53553-1879	53553-1877	180
	53.77	57.67	52.67	50.165	---	53553-1679	53553-1677	160
	47.42	51.32	46.32	43.815	---	53553-1479	53553-1477	140
	34.72	38.62	33.62	31.115	53553-1078	53553-1079	53553-1077	100
28.37	32.27	27.27	24.765	53553-0878	---	53553-0877	80	
有り YES	22.02	25.92	20.92	18.415	---	53553-0679	53553-0677	60
15.67	19.57	14.57	12.065	---	---	53553-0477	40	
ハウジングロック HS'G LOCK	D	C	B	A	エンボス梱包 EMBOSSED PACKAGING	スティック梱包 STICK PACKAGING	製品番号 MATERIAL NO.	極数 CKT. NO.
							MODEL NO.	53553-***77

REVISED EC NO: J2017-0575 DRW: KTOYODA CHKD: TASAKAWA APPR: MSASAO 2012/02/02 2012/02/02 2017/06/29	DESCRIPTION	GENERAL TOLERANCES (UNLESS SPECIFIED)	DIMENSION STYLE MM ONLY	SCALE ---	DESIGN UNITS METRIC	THIRD ANGLE PROJECTION
		0.25 UNDER ± 0.05 0.25 OVER 0.5 UNDER ± 0.05 0.5 OVER 1.0 UNDER ± 0.1 1.0 OVER 10 UNDER ± 0.2 10 OVER 30 UNDER ± 0.25 30 OVER ± 0.3 ANGULAR $\pm 3^\circ$	DRAWN BY T. UENO DATE '04/02/27	TITLE 0.635 PITCH B-T0-B S/T PLUG HSG ASSY -LEAD FREE-		
		DRAFT WHERE APPLICABLE MUST REMAIN WITHIN DIMENSIONS	CHECKED BY M. SASAO DATE '04/02/27			
		SIZE A3	APPROVED BY M. SASAO DATE '04/02/27			
		THIS DRAWING CONTAINS INFORMATION THAT IS PROPRIETARY TO MOLEX ELECTRONIC TECHNOLOGIES, LLC AND SHOULD NOT BE USED WITHOUT WRITTEN PERMISSION				



注)
NOTES.

1. スティック両端はキャップ止め。
BOTH ENDS WITH CAPS.
2. 全長：600±2
TOTAL LENGTH
3. 肉厚：0.6±0.2
THICKNESS
4. 本製品は53553-***9の
鉛フリー品である。
THIS PRODUCT IS LEAD FREE
OF 53553-***9.

8	53553-1879	180
9	53553-1679	160
11	53553-1479	140
14	53553-1079	100
21	53553-0679	60
梱包数 QUANTITY	製品番号 MATERIAL NO.	極数 NO. OF CKT.

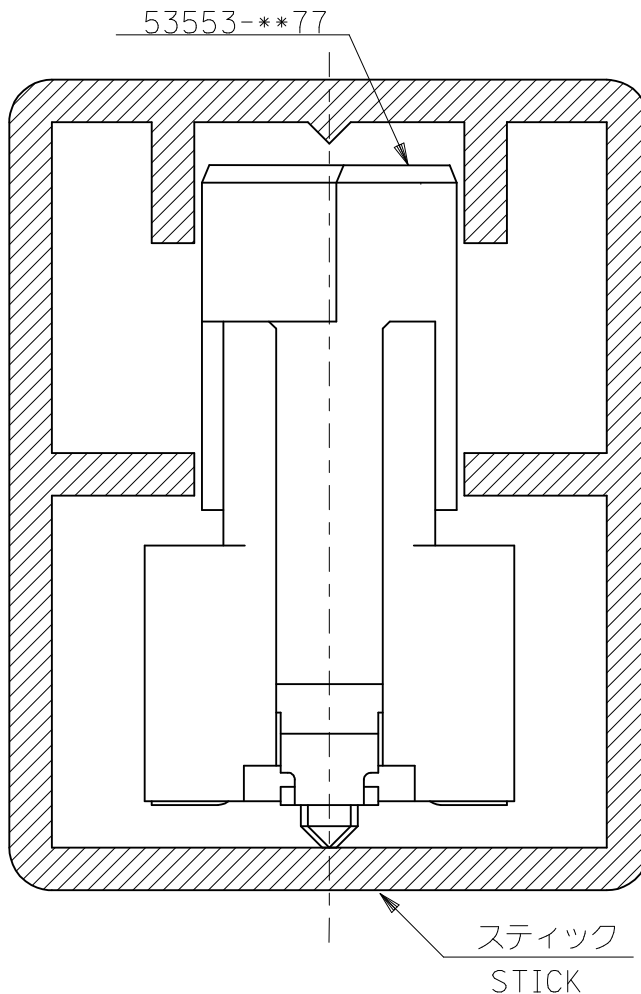
材料 MATERIAL	スティック：ポリ塩化ビニル STICK:P.V.C.
仕上げ FINISH	—//—
適用電線範囲 WIRE RANGE	—//—
被覆外径 INS. RANGE	—//—

REVISED	EC NO: J2018-0012	2017/07/26
DRWN:GES	CHKD:	APPR:MSASAO
DESCRIPTION	2017/07/28	
REV	A	

GENERAL TOLERANCES (UNLESS SPECIFIED)			
0.25 UNDER	±0.03		
0.25 OVER 0.5 UNDER	±0.05		
0.5 OVER 1.0 UNDER	±0.1		
1.0 OVER 10 UNDER	±---		
10 OVER 30 UNDER	±---		
30 OVER	±---		
ANGULAR	±---°		
DRAFT WHERE APPLICABLE MUST REMAIN WITHIN DIMENSIONS			

MODEL NO.	53553-***79
DIMENSION STYLE MM ONLY	
DRAWN BY	DATE
T.UENO	2004/02/27
CHECKED BY	DATE
M.SASAO	2004/02/27
APPROVED BY	DATE
M.SASAO	2004/02/27
MATERIAL NO.	
SEE CHART	
SIZE	A4

SCALE	---	DESIGN UNITS	METRIC	THIRD ANGLE PROJECTION
53553-***77 STICK PACKAGING -LEAD FREE-				
molex			DOCUMENT NO.	SHEET NO.
			SD-53553-008	1 OF 1
THIS DRAWING CONTAINS INFORMATION THAT IS PROPRIETARY TO MOLEX ELECTRONIC TECHNOLOGIES, LLC AND SHOULD NOT BE USED WITHOUT WRITTEN PERMISSION				



注)
NOTES.

1. スティック両端はキャップ止め。
BOTH ENDS WITH CAPS.
2. 全長：600±2
TOTAL LENGTH
3. 肉厚：0.6±0.2
THICKNESS
4. 本製品は53553-***9の
鉛フリー品である。
THIS PRODUCT IS LEAD FREE
OF 53553-***9.

8	53553-1879	180
9	53553-1679	160
11	53553-1479	140
14	53553-1079	100
21	53553-0679	60
梱包数 QUANTITY	製品番号 MATERIAL NO.	極数 NO. OF CKT.

材料 MATERIAL	スティック：ポリ塩化ビニル STICK:P.V.C.
仕上げ FINISH	—//—
適用電線範囲 WIRE RANGE	—//—
被覆外径 INS. RANGE	—//—

REVISED	EC NO: J2018-0012	2017/07/26
DRWN:GES	CHKD:	APPR:MSASAO
DESCRIPTION	2017/07/28	

GENERAL TOLERANCES (UNLESS SPECIFIED)			
0.25 UNDER			±0.03
0.25 OVER	0.5 UNDER		±0.05
0.5 OVER	1.0 UNDER		±0.1
1.0 OVER	10 UNDER		±---
10 OVER	30 UNDER		±---
30 OVER			±---
ANGULAR			±--- °
DRAFT WHERE APPLICABLE MUST REMAIN WITHIN DIMENSIONS			

MODEL NO.	53553-***79
DIMENSION STYLE MM ONLY	
DRAWN BY	DATE
T.UENO	2004/02/27
CHECKED BY	DATE
M.SASAO	2004/02/27
APPROVED BY	DATE
M.SASAO	2004/02/27
MATERIAL NO.	
SEE CHART	
SIZE	A4

SCALE	---
DESIGN UNITS	METRIC
THIRD ANGLE PROJECTION	
53553-***77 STICK PACKAGING -LEAD FREE-	
molex	
DOCUMENT NO.	SD-53553-008
SHEET NO.	1 OF 1
THIS DRAWING CONTAINS INFORMATION THAT IS PROPRIETARY TO MOLEX ELECTRONIC TECHNOLOGIES, LLC AND SHOULD NOT BE USED WITHOUT WRITTEN PERMISSION	