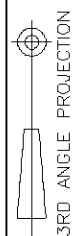


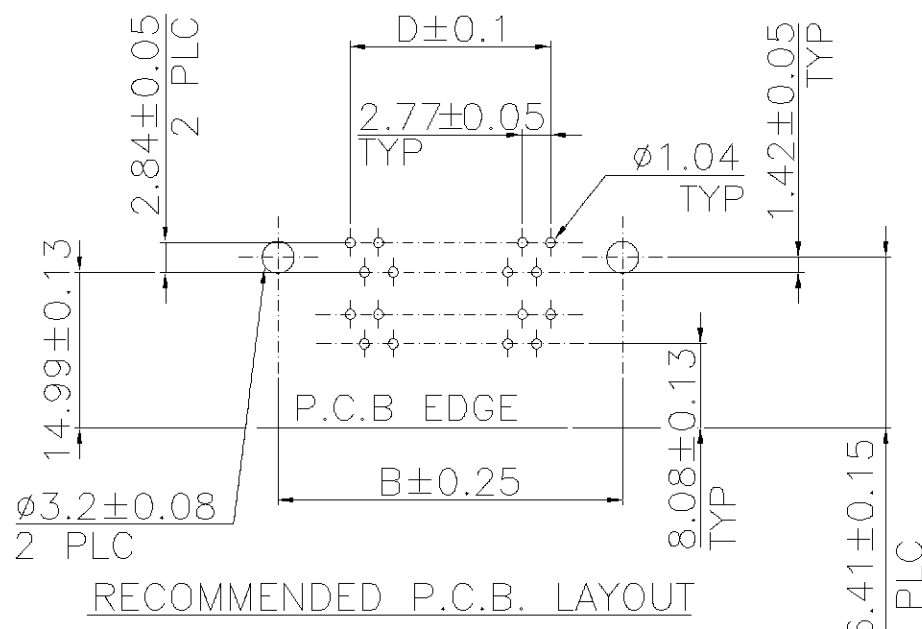
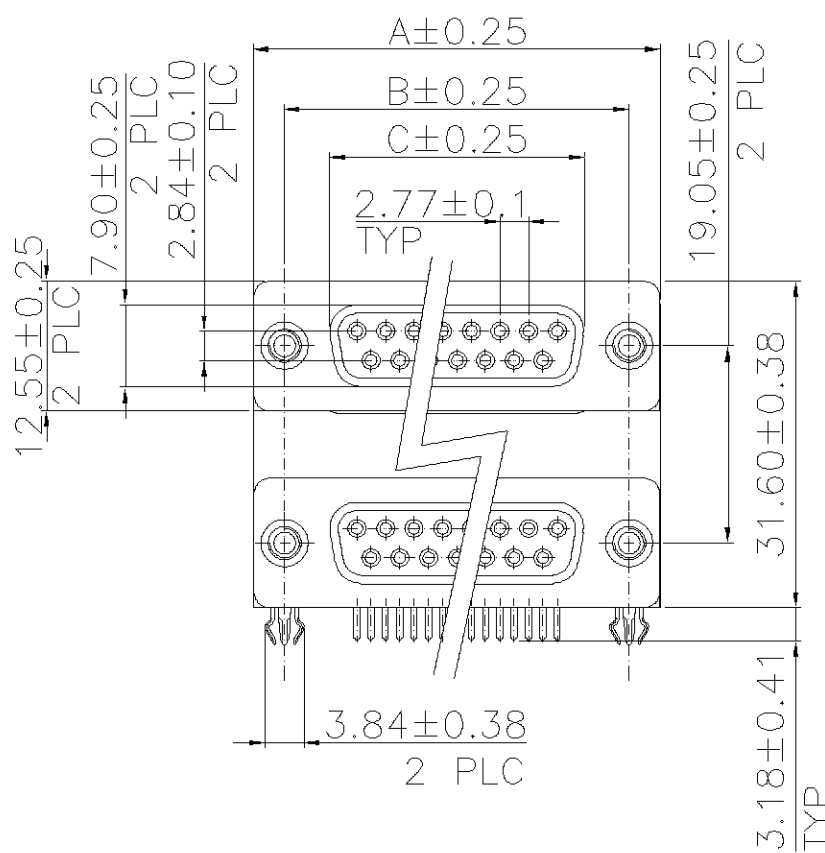
NUMBER  
C-440397



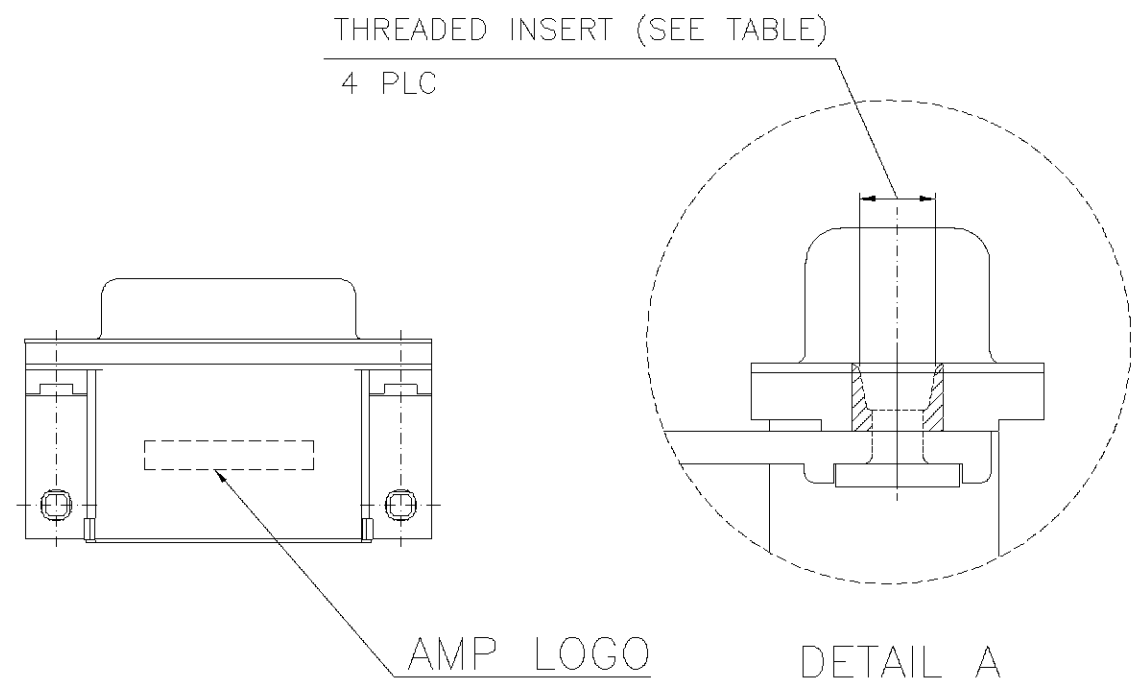
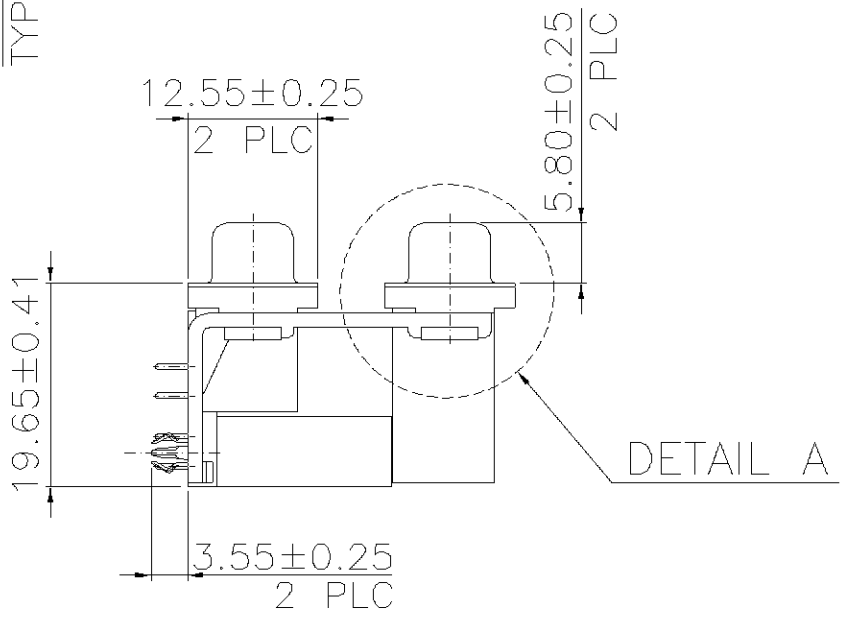
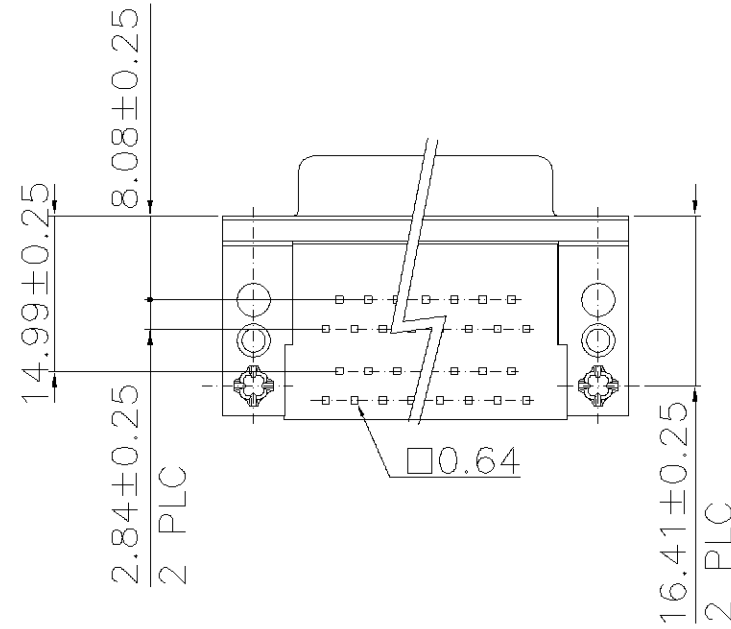
METRIC

THIS INFORMATION IS CONFIDENTIAL AND IS DISCLOSED TO YOU ON CONDITION THAT NO FURTHER DISCLOSURE IS MADE BY YOU TO OTHER THAN AMP PERSONNEL WITHOUT WRITTEN AUTHORIZATION FROM AMP (TAIWAN) LTD. DIMENSIONS IN MILLIMETERS. DO NOT SCALE PRINT.

PRINT  
DW



- NOTE:
- SPECIFICATIONS:  
CURRENT RATING: 2 AMPS.  
VOLTAGE RATING: 250 VAC.  
DIELECTRIC WITHSTANDING VOLTAGE: 500 VAC(RMS).  
INSULATION RESISTANCE: 1000 MEGOHMS MIN.  
CONTACT RESISTANCE: 30 MILLIOHMS MAX.  
OPERATING TEMPERATURE: -55° TO 105°C
  - SPECIFICATIONS SUBJECT TO CHANGE WITHOUT NOTICE.  
CONTACT AMP FOR THE LATEST SPECIFICATIONS.
  - CHOOSE PRE-FIX FROM LEFT TABLE AND SUFFIX FROM RIGHT TABLE FOR DESIRED PART NUMBER COMBINATION.
  - RECOMMENDED THREAD LENGTH OF SCREW : 5.0mm MIN.



9-440397-X	37-37	M3 X 0.5	69.34	63.50	54.80	49.86
8-440397-X	9-9	M3 X 0.5	30.95	24.99	16.20	11.08
3-440397-X	37-37	#4-40 UNC	69.34	63.50	54.80	49.86
2-440397-X	25-25	#4-40 UNC	53.10	47.04	38.30	33.24
1-440397-X	15-15	#4-40 UNC	39.30	33.30	24.60	19.39
440397-X	9-9	#4-40 UNC	30.95	24.99	16.20	11.08
PART NO.	PINS	THREADED INSERT	A	B	C	D

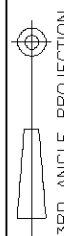
X-440397-6	30 u"	PC99/ACTUAL COLOR	37-37 NOT AVAILABLE
X-440397-5	10 u"	PC99/ACTUAL COLOR	
X-440397-4	GOLD FLASH	PC99/ACTUAL COLOR	
X-440397-3	30 u"	BLACK	
X-440397-2	10 u"	BLACK	
X-440397-1	GOLD FLASH	BLACK	
PART NO.	GOLD PLATING	HSG COLOR	

C	ADDED PART NO.	FZ00-0274-02	AW/JC	12DEC 2002
B	ADDED PART NO.	FZ00-0034-02	SH/JC	20FEB 2002
A	REVISED	FW00-0050-01	AW/JC	13APR 2001
O	NEW RELEASED	FW00-0064-00	AW/JC	10AUG 2000
LTR	REVISION RECORD	ECN	DWN/CHK	DATE

TOLERANCES UNLESS OTHERWISE SPECIFIED: 0 PLC ± 1 PLC ±0.12 2 PLC ±0.06 3 PLC ± ANGLES ±1'	DWN A. WU 16-DEC-2002
MATERIAL HOUSING: THERMOPLASTIC, UL94V-0 CONTACT: COPPER ALLOY BRACKET: ZINC ALLOY SHELL: STEEL	CHK J. CHENG 16-DEC-2002
FINISH CONTACT AREA: GOLD (SEE TABLE) OVER 50u" MIN. NICKEL SOLDER TAILS: 100u" TIN-LEAD OVER 50u" MIN. NICKEL	APVD J. WU 16-DEC-2002
PRODUCT SPEC SEE NOTE 1.	
APPLICATION SPEC	
WEIGHT	

<b>tyco</b> TYCO HOLDINGS (BERMUDA) VII LTD. TAIWAN BRANCH	
<b>Electronics</b>	
NAME D-SUB STACKED RCPT OVER RCPT, R/A TYPE, THREAD INSERTS	
LOC DW	SIZE A <sub>3</sub>
DRAWING NO C-440397	REV C
SCALE --	SHEET 1 OF 3

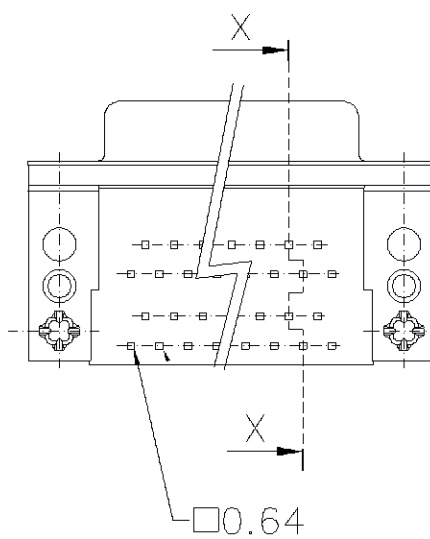
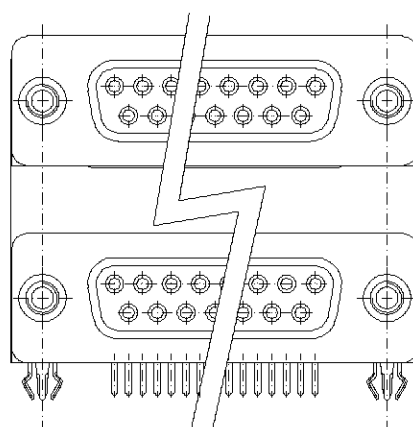
NUMBER  
C-440397



METRIC

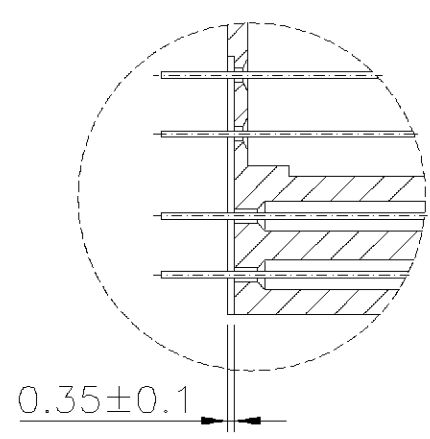
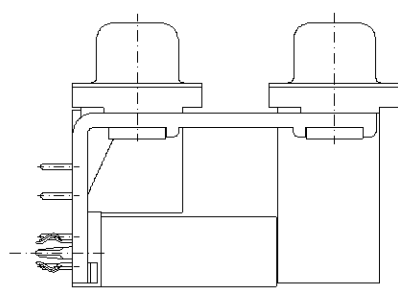
THIS INFORMATION IS CONFIDENTIAL AND IS DISCLOSED TO YOU ON CONDITION THAT NO FURTHER DISCLOSURE IS MADE BY YOU TO OTHER THAN AMP PERSONNEL WITHOUT WRITTEN AUTHORIZATION FROM AMP (TAIWAN) LTD. DIMENSIONS IN MILLIMETERS. DO NOT SCALE PRINT.

PRINT DIST  
DW



7-440397-X	37-37	#4-40 UNC	69.34	63.50	54.80	49.86
6-440397-X	25-25	#4-40 UNC	53.10	47.04	38.30	33.24
5-440397-X	15-15	#4-40 UNC	39.30	33.30	24.60	19.39
4-440397-X	9-9	#4-40 UNC	30.95	24.99	16.20	11.08
PART NO.	PINS	THREADED INSERT	A	B	C	D

X-440397-6	30 u"	PC99/ACTUAL COLOR	37-37 NOT AVAILABLE
X-440397-5	10 u"	PC99/ACTUAL COLOR	
X-440397-4	GOLD FLASH	PC99/ACTUAL COLOR	
X-440397-3	30 u"	BLACK	
X-440397-2	10 u"	BLACK	
X-440397-1	GOLD FLASH	BLACK	
PART NO.	GOLD PLATING	HSG COLOR	

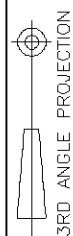


SEC. X-X

	SEE SHEET 1			
LTR	REVISION RECORD	ECN	DWN CHK	DATE

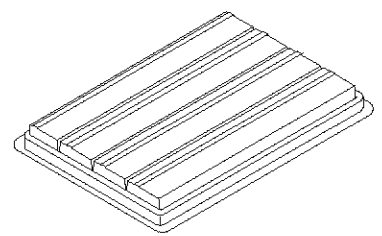
TOLERANCES UNLESS OTHERWISE SPECIFIED:		DWN	A. WU	<b>tyco</b> TYCO HOLDINGS (BERMUDA) <b>Electronics</b> VII LTD. TAIWAN BRANCH
0 PLC	±		16-DEC-2002	
1 PLC	±0.12	CHK	J. CHENG	NAME
2 PLC	±0.06		16-DEC-2002	
3 PLC	±			D-SUB STACKED RCPT OVER RCPT, R/A TYPE, THREAD INSERTS
ANGLES	±1'			
MATERIAL	SEE SHEET 1	APVD	J. WU	LOC SIZE DRAWING NO REV DW <b>A</b> <sub>3</sub> C-440397 C
FINISH	SEE SHEET 1	PRODUCT SPEC	16-DEC-2002	
		APPLICATION SPEC		SCALE SHEET -- 2 OF 3
		WEIGHT		

NUMBER  
C-440397

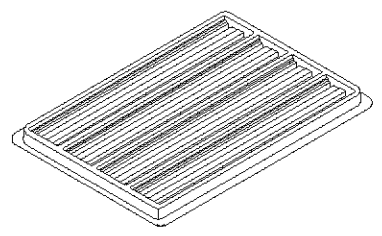


METRIC

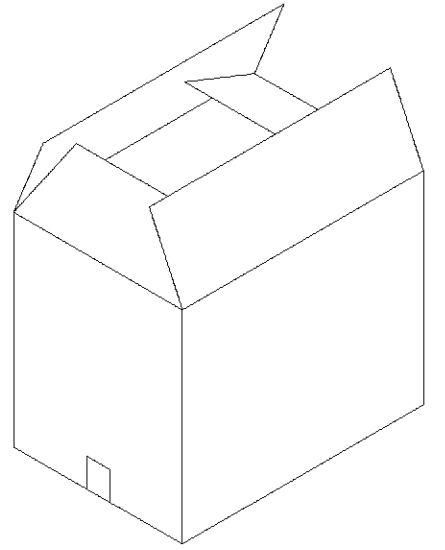
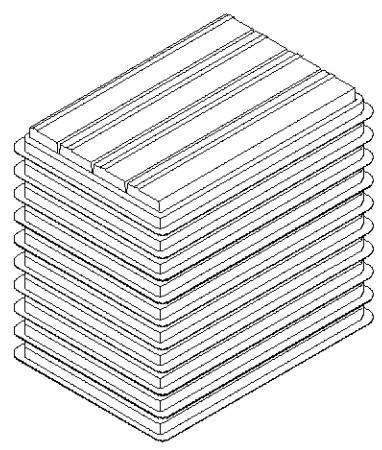
THIS INFORMATION IS CONFIDENTIAL AND IS DISCLOSED TO YOU ON CONDITION THAT NO FURTHER DISCLOSURE IS MADE BY YOU TO OTHER THAN AMP PERSONNEL WITHOUT WRITTEN AUTHORIZATION FROM AMP (TAIWAN) LTD. DIMENSIONS IN MILLIMETERS. DO NOT SCALE PRINT.



TOP COVER



TRAY

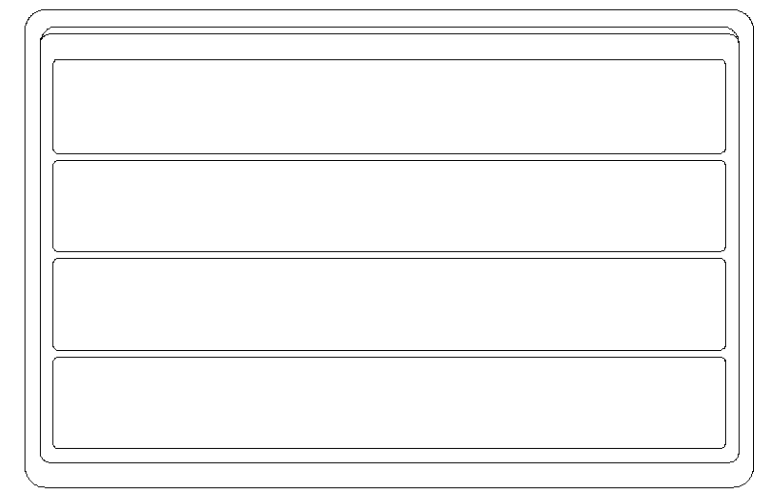


SHIPPING BOX

NOTE :

- DIMENSION :  
TRAY : L=310, W=215, H=30  
SHIPPING BOX : L=335, W=230, H=280
- QUANTITY:

PIN NO.	9-9	15-15	25-25	37-37
PCS/TRAY	36	28	20	16
TRAY/CARTON	10	10	10	10
PCS/CARTON	360	280	200	160



TRAY LAYOUT

	SEE SHEET 1				
LTR	REVISION RECORD	ECN	DWN CHK	DATE	

TOLERANCES UNLESS OTHERWISE SPECIFIED:		DWN	A. WU	<b>tyco</b> TYCO HOLDINGS (BERMUDA)	
0 PLC	±		16-DEC-2002	VII LTD. TAIWAN BRANCH	
1 PLC	±	CHK	J. CHENG	NAME	
2 PLC	±		16-DEC-2002	D-SUB STACKED RCPT	
3 PLC	±	APVD	J. WU	OVER RCPT, R/A TYPE,	
ANGLES	±		16-DEC-2002	THREAD INSERTS	
MATERIAL	-	PRODUCT SPEC	LOC SIZE DRAWING NO REV DW A <sub>3</sub> C-440397 C		
FINISH	-	APPLICATION SPEC			
		WEIGHT	SCALE		SHEET
			--		3 OF 3