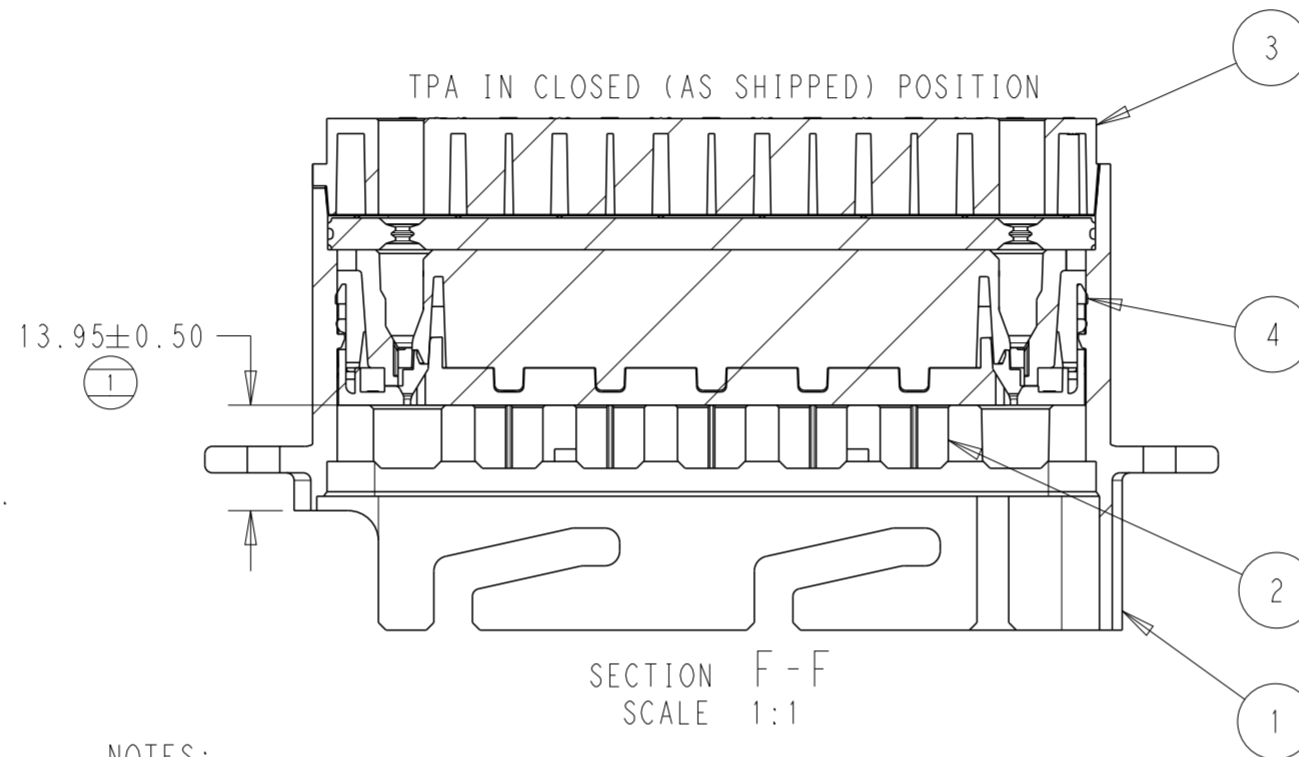
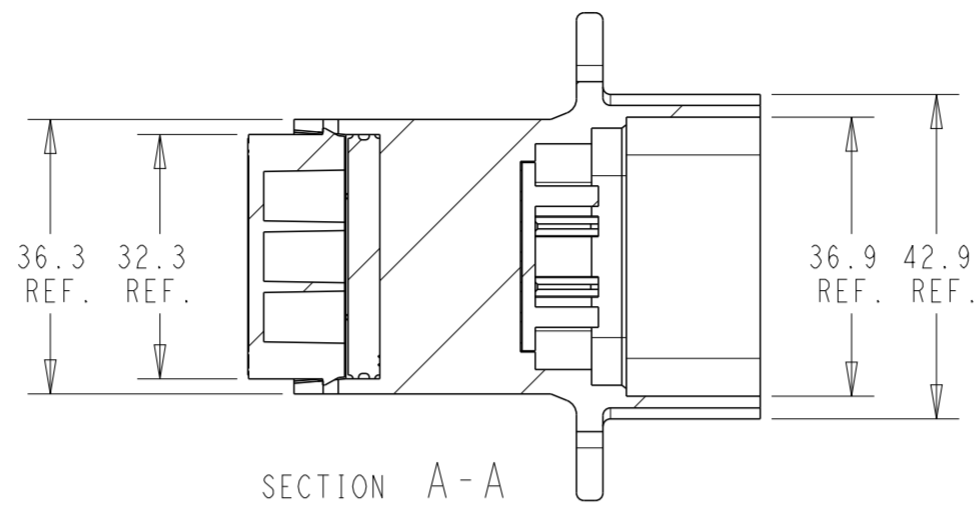
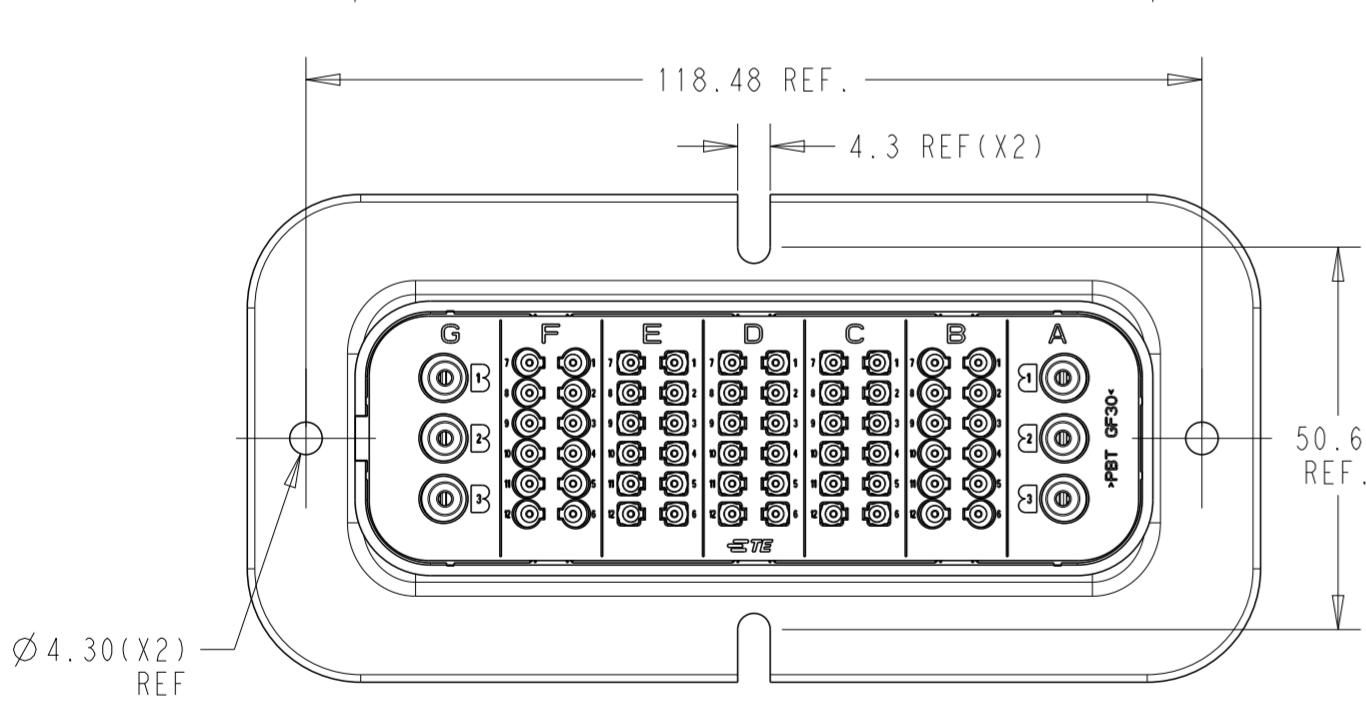
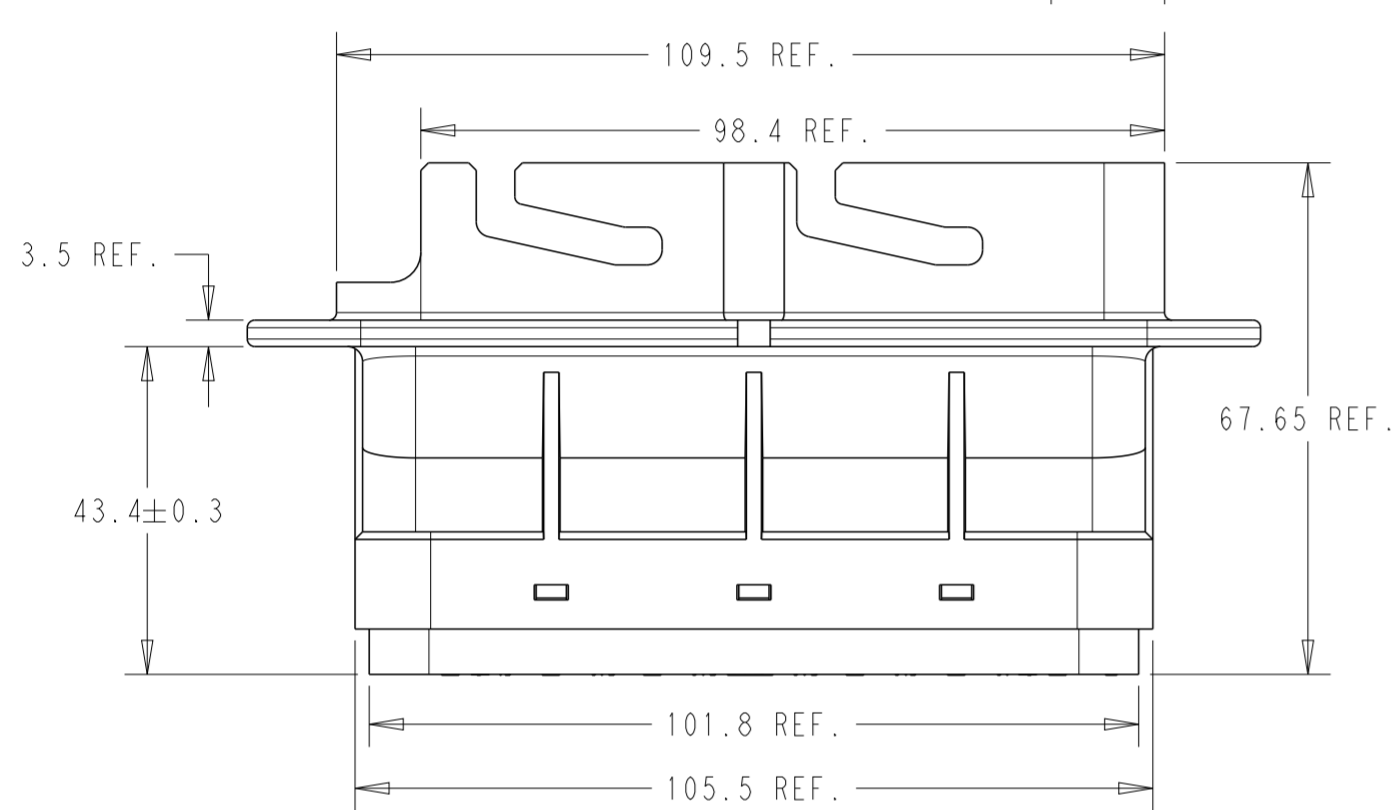
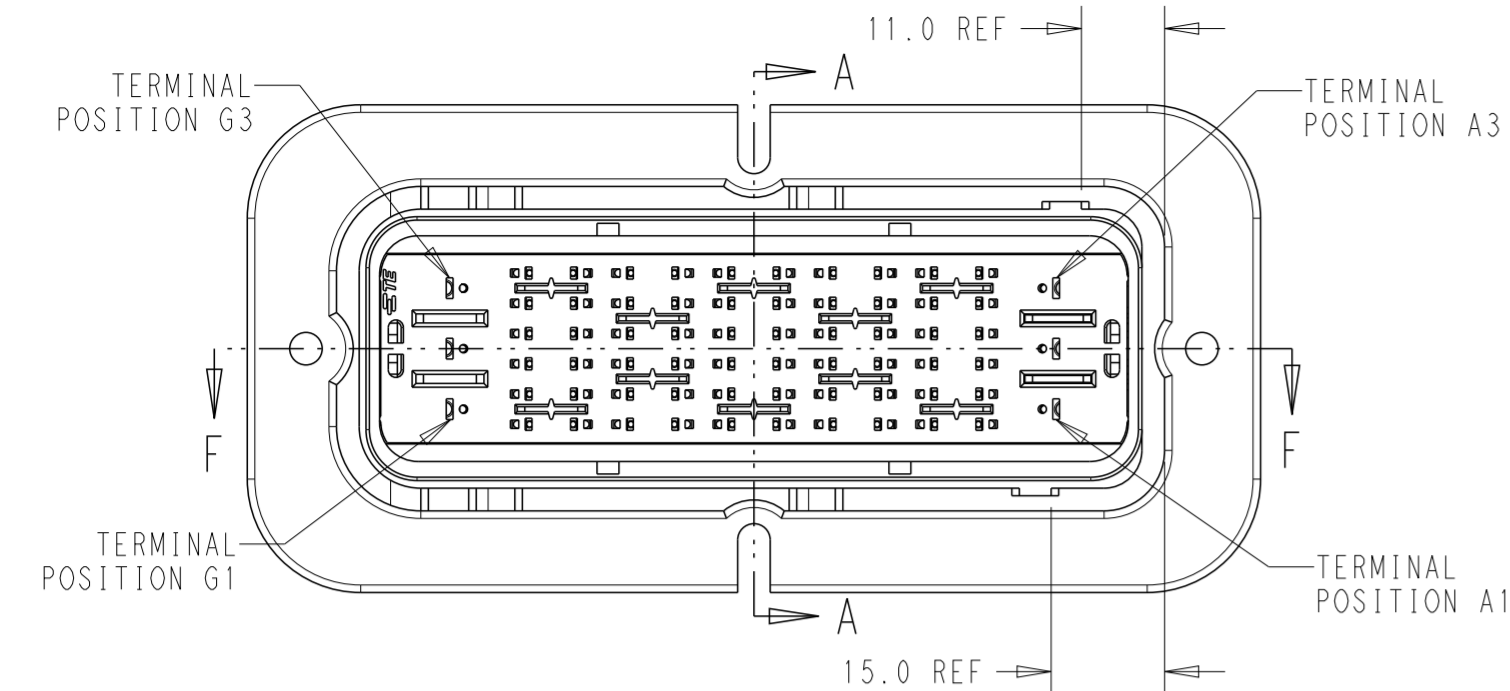
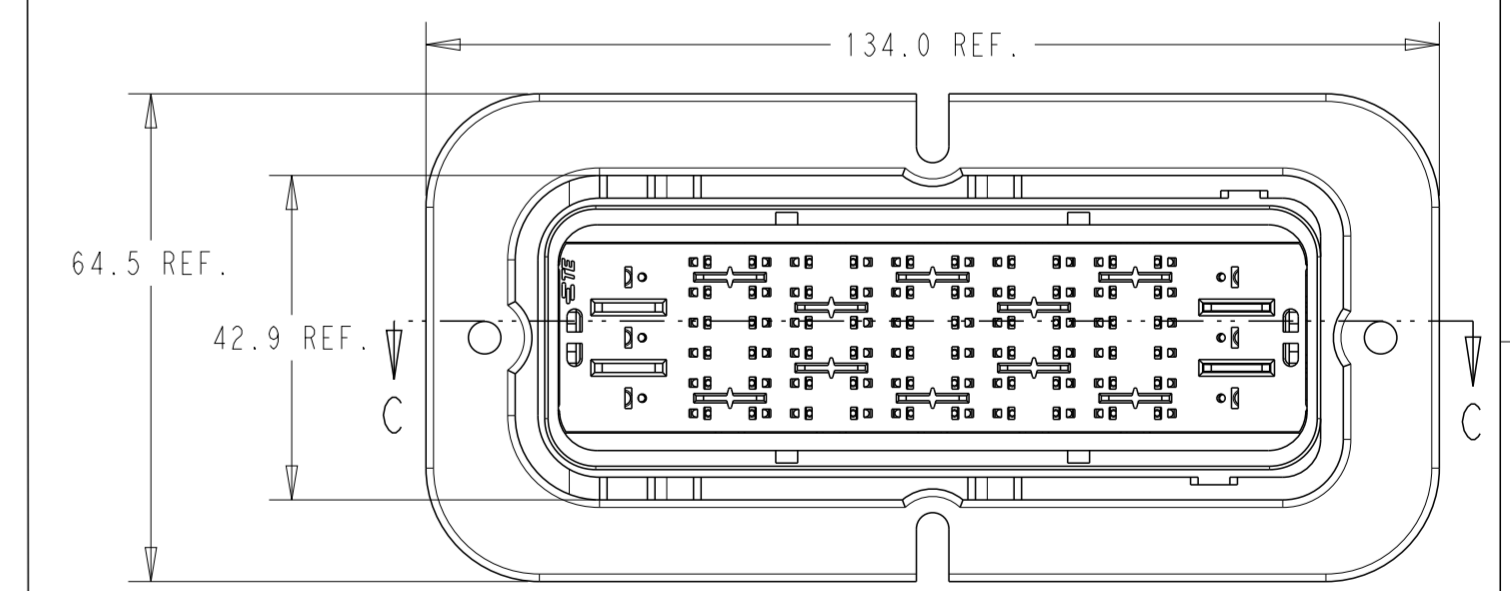
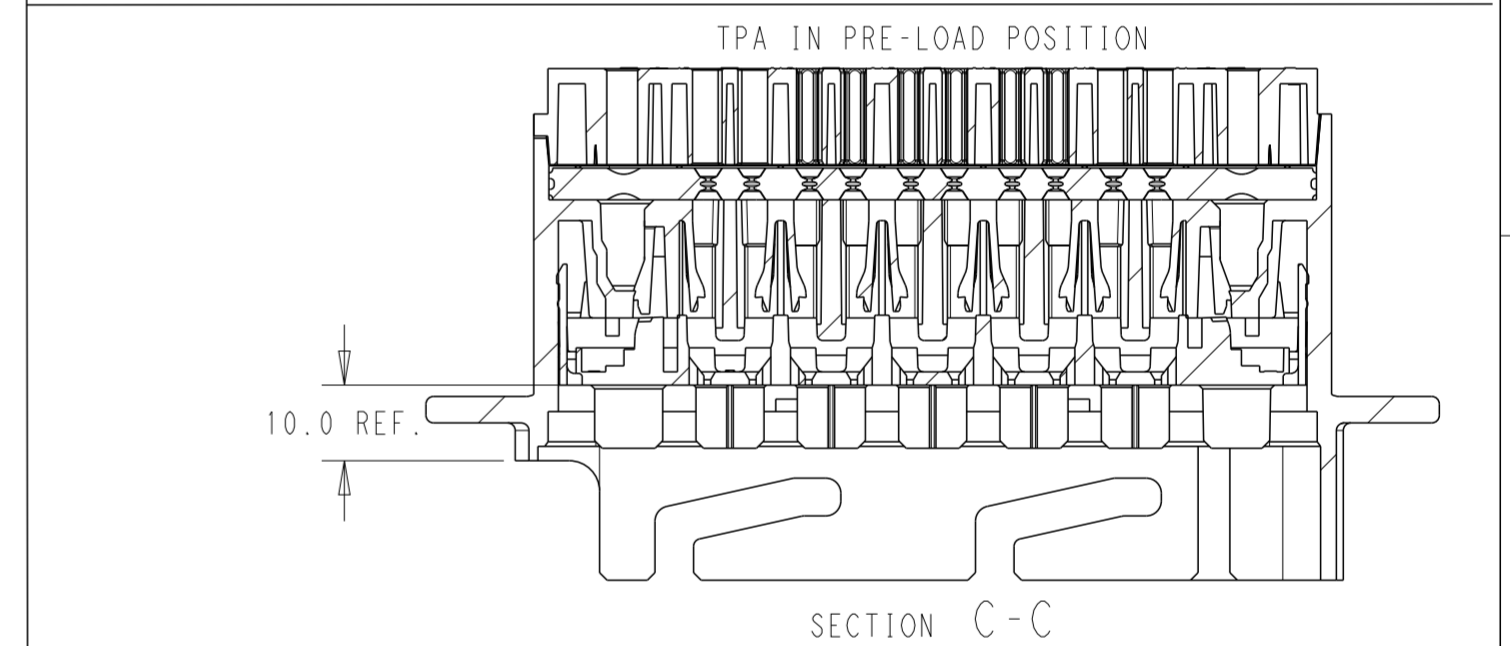
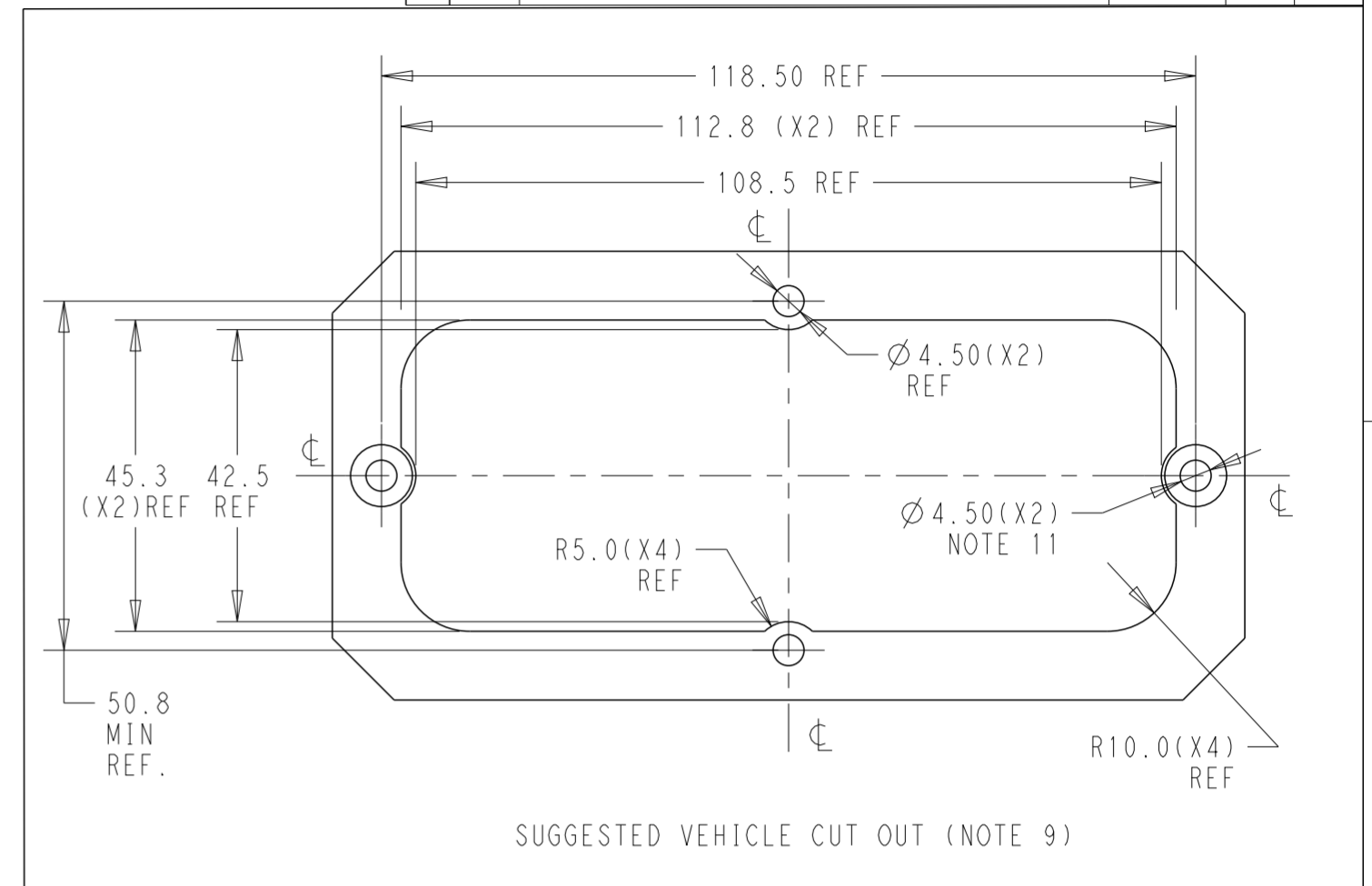


SRC POWER 60+6AG (2.5) MAIN HOUSING BLACK



- NOTES:
- MATERIALS:
HOUSINGS: POLYESTER (PBT), GLASS FILLED, UL 94 HB
SEAL: SILICONE RUBBER
 - VARIATION OF SHADE WITHIN OR BETWEEN BATCHES, OR DISCOLORATION IS ACCEPTABLE
 - MX150 BLADE TERMINALS TO BE USED WITH THESE ASSEMBLIES IN CAVITIES B,C,D,E, AND F, CRIMPED WITH CABLE INSULATION OUTER DIAMETER IN THE RANGE 1.5mm TO 2.7mm
 - SRC BLADE TERMINALS MAY BE USED WITH THESE ASSEMBLIES IN CAVITIES B AND F, CRIMPED WITH 2.5mm² (13AWG) CABLE INSULATION OUTER DIAMETER IN THE RANGE 2.7mm TO 3.0mm
 - MX150L BLADE TERMINALS TO BE USED WITH THESE ASSEMBLIES IN CAVITIES A AND G, CRIMPED WITH CABLE INSULATION OUTER DIAMETER IN THE RANGE 3.0mm TO 5.0mm
 - PACKAGING SPECIFICATION: TEC-107-160003-02
 - THIS SHEET: 2500022-1 (OLD PN 937926025) (60+6AG) OPTION MATES WITH SRC2 PIN 2.5 RECEPTACLE HOUSING ASSEMBLY (BLACK) PN 2500006-1 (OLD PN 850846025)
 - FLANGE GASKET OPTION: REFER TO 2500032-1
 - SUGGESTED DIMENSIONS FOR FLAT PLATE. CUSTOMER SHOULD VERIFY FIT IN THEIR OWN APPLICATION. ALL DIMENSIONS SYMMETRIC ABOUT CENTERLINES.
 - CLEARANCE FOR M4 COUNTERSUNK HEADS RECOMMENDED IN THESE HOLES.
 - PRESENCE OF TE LOGO OPTIONAL ON REAR COVER, FRONT COVER & HOUSING.

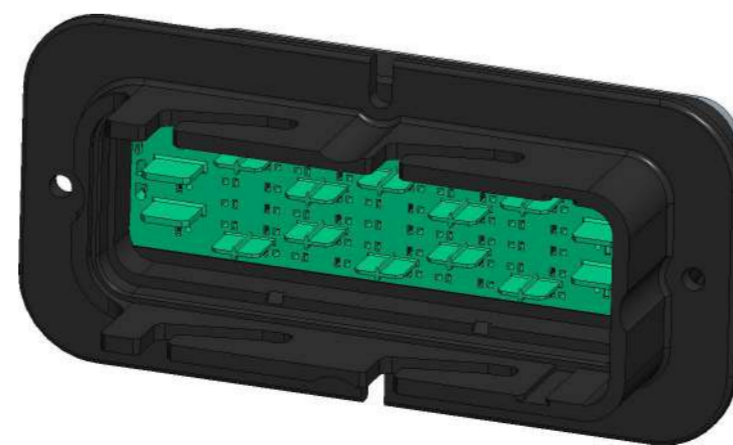
REVISIONS					
P	LTR	DESCRIPTION	DATE	DWN	APVD
A3		ECO-20-009048	15JUL2020	MHS	MT
B		PCN-21-123224	23DEC2021	DRK	AW



ACCEPTABLE CABLE INSULATION Ø RANGES (mm) - NOTE 3,4 & 5 (COMBINATIONS OF CABLES PER NOTES 3 & 4 ALLOWED IN B & F)

CAVITY SET						
G	F	E	D	C	B	A
3.0 - 5.0	1.5 - 3.0	1.5 - 2.7	1.5 - 2.7	1.5 - 2.7	1.5 - 3.0	3.0 - 5.0

No.	DESCRIPTION	QTY.	COLOR
4	MALE BACK SEAL	1	RUSTED RED
3	MALE REAR COVER	1	BLACK
2	MALE FRONT COVER(TPA)	1	GREEN
1	MALE HOUSING	1	BLACK
BILL OF MATERIAL			



THIS DRAWING IS A CONTROLLED DOCUMENT.

DIMENSIONS:	TOLERANCES UNLESS OTHERWISE SPECIFIED:
mm	0 PLC ±0.5
	1 PLC ±0.2
	2 PLC ±0.2
	3 PLC ±
	4 PLC ±
	ANGLES ±
	FINISH ±

DWN	15JUL2020
CHK	M. MANOHAR H.S.
CHK	M. TRULL
APVD	15JUL2020
APVD	M. TRULL
PRODUCT SPEC	TEC-108-160018
APPLICATION SPEC	TEC-114-160015
WEIGHT	-
CUSTOMER DRAWING	

937926025		2500022-1	
OLD P/N		PART NO	
STE TE Connectivity			
NAME SRC POWER 60+6AG MALE BLADE HSG ASSY 2.5			
SIZE	CAGE CODE	DRAWING NO	RESTRICTED TO
A2	00779	C-2500022	-
SCALE 5:1		SHEET 1 OF 1 REV B	