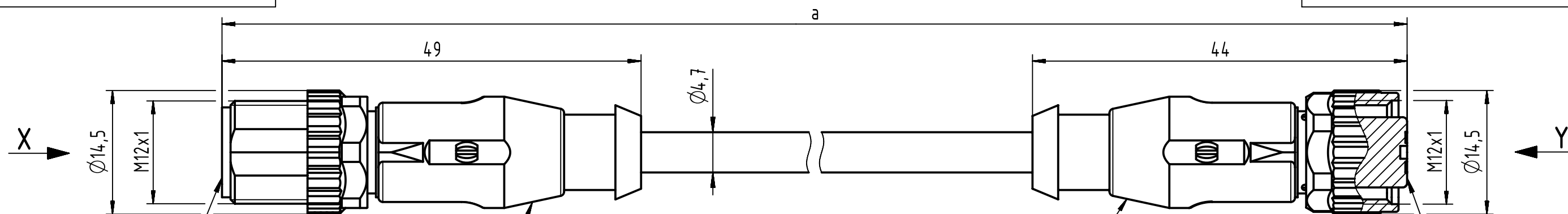


Connector Location A

Connector Location B



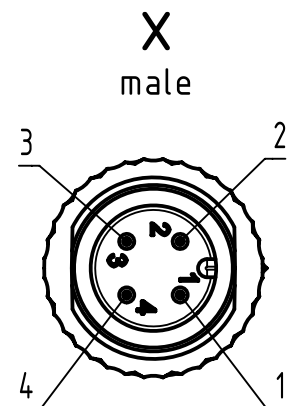
Mating face acc. to IEC 61076-2-101

M12 A-coded 4-pole, straight overmolded, unshielded  
for technical details see DS 21035001004

Mating face acc. to IEC 61076-2-101

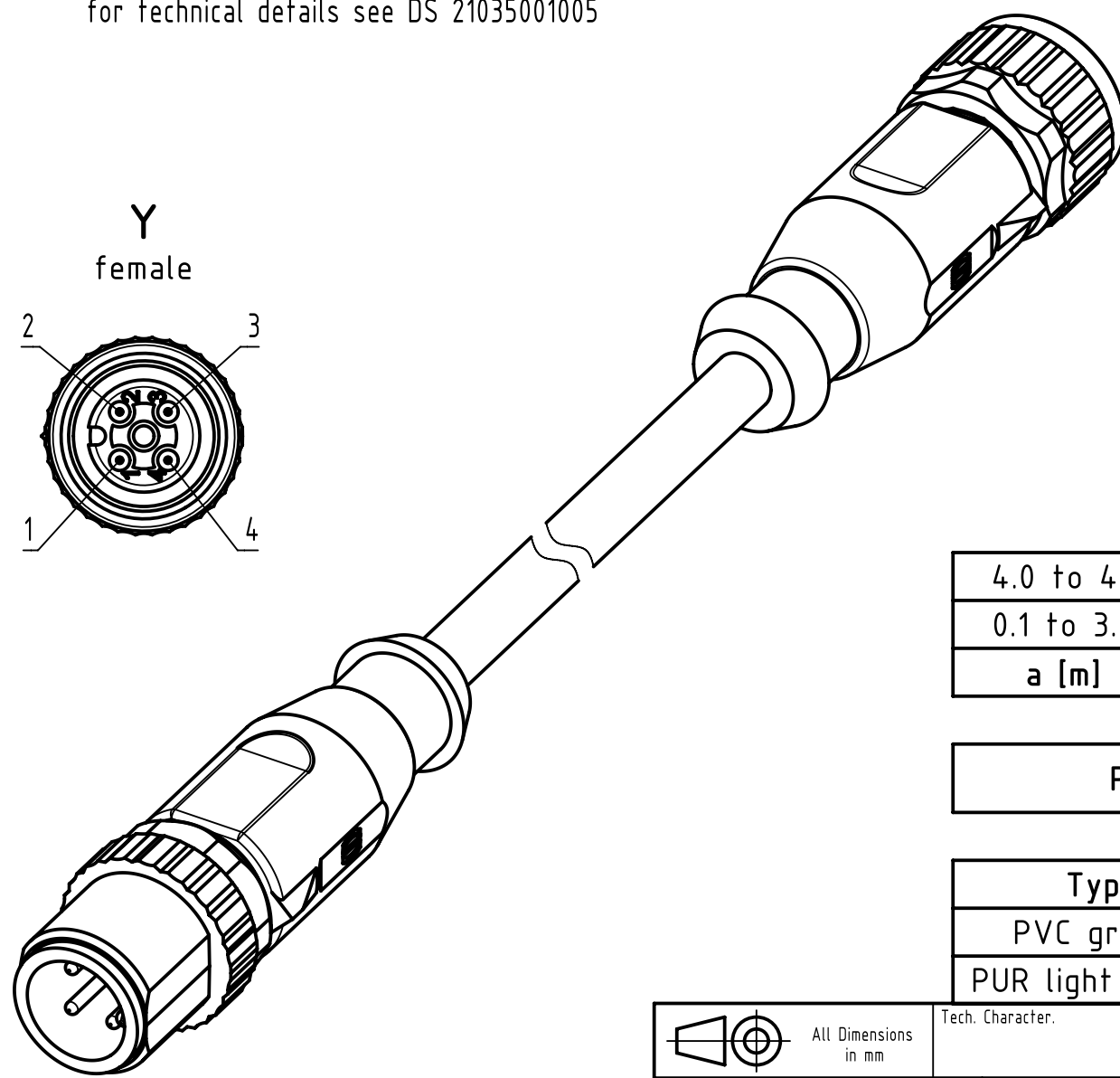
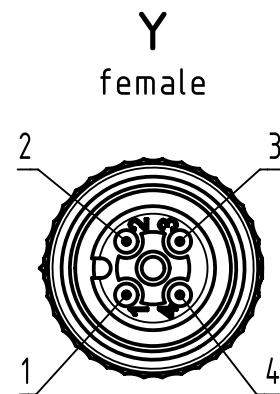
M12 A-coded 4-pole, straight overmolded, unshielded  
for technical details see DS 21035001005

length in "1m" step	40	XXX=400
	39	XXX=390
	.	.
	12	XXX=120
length in "0.1m" step	11	XXX=110
	10	XXX=100
	9.9	XXX=099
	9.8	XXX=098
	.	.
	0.4	XXX=004
	0.3	XXX=003
	0.2	XXX=002
0.1	XXX=001	
Step	a [m]	XXX



Loading-Plan

- 1 brown 1
- 2 white 2
- 3 blue 3
- 4 black 4



4.0 to 40	±1%
0.1 to 3.9	+0.04
a [m]	Tolerance

Part no.	213484854XXXX
Type of cable	XX
PVC grey, 4x0.34mm <sup>2</sup>	XX=84
PUR light grey, 4x0.34mm <sup>2</sup>	XX=61

- Protection level: IP65/67
- Temperature range: -25°C ... +80°C

		All rights reserved Department HCS - RO		Created by STOCEVIC Stoceci		Inspected by COSTEA Costea		Standardisation MUNTEANV Muntean		Date 2018-12-14		State Final Release	
HARTING Customised Solutions D-32339 Espelkamp		Title M12 Cable Assembly A-cod st/st m/f		Type TB		Number 213484854XXXX		Doc-Key / ECM-Nr. 100578626/UGD/009/F 500000144869		Rev. F		Page 1/1	