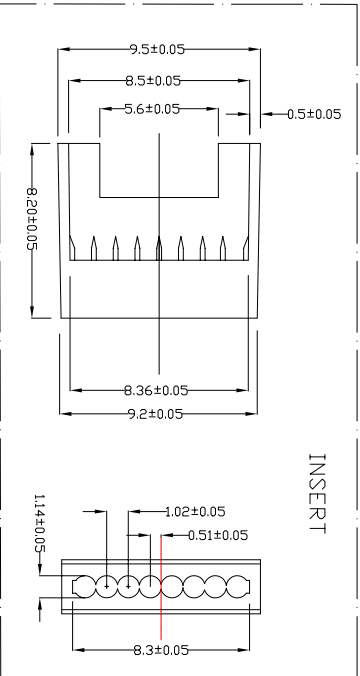
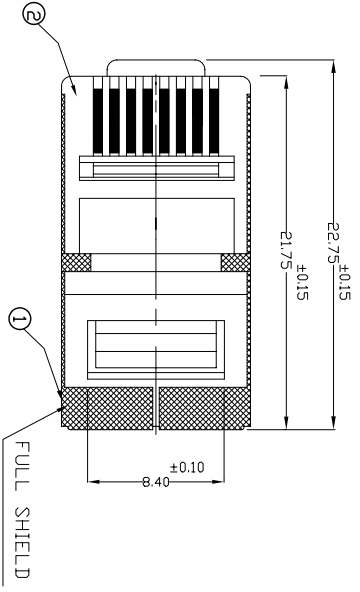
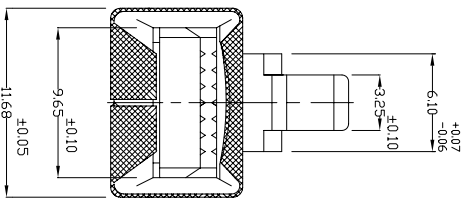
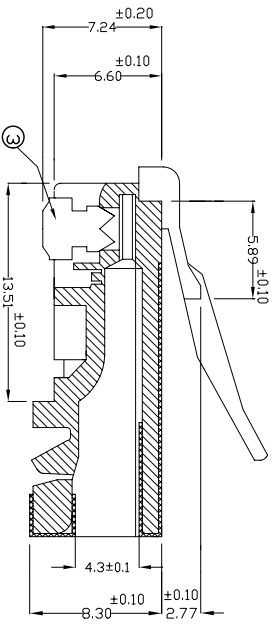


ROHS COMPLIANT



Tolerance	
.x	±0.2
.xxx	±0.1
ang.	±2°

UNIT: inches(mm)

- NOTE:
1. TYPE OF MODULAR PLUG: 8P8C
 2. ELECTRICAL: DIELECTRIC WITH STANDING VOLTAGE 1000 VOLTS AC INSULATION RESISTANCE: 500 MEGOHMS TERMINAL RESISTANCE: 35 MILLIOHMS MAX. RATED 250 VOLTS AC MAX. AT 2 AMPS.
 3. MATERIAL & FINISH: POLYCARBONATE (PC) UL 94V-0 PLASTIC HOUSING: COPPER ALLOY CONTACT BLADE: (1) COPPER ALLOY (2) 50 MICRO INCHES GOLD PLATED SHIELD: COPPER ALLOY
 4. DURABILITY: 1,000 MATING CYCLES

CONFIDENTIAL

© Copyright 2010 Regal Electronics, Inc. This drawing is the property of Regal Electronics and contains confidential information, trade secret information and/or know-how which is the property of Regal Electronics. By accepting this drawing, the recipient agrees not to provide, or otherwise make available, the drawing or any information or know-how embodied therein, to any third party without prior written authorization.

REV	ECO NO.	DATE	BY	APP'D
A	REL TO PRODUCTION PER ECO 001	1/25/10	KL	

DRAWN:	KIM	DATE	1/25/10
CHECKED:		DATE	
ENGINEER:		DATE	
APPROVED:		DATE	
APPROVED:		DATE	
APPROVED:		DATE	

TITLE:		C5 SHIELDED PLUG	
SIZE:	DRAWING NO.	SCALE:	NONE
B	R1003B-8P8CR-C5		
REV		SHEET	1 OF 1
A			



C-R1003B-8P8CR-C5