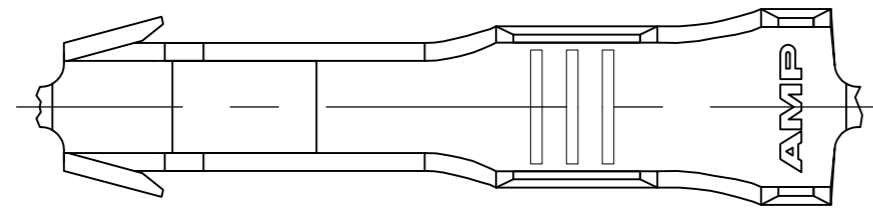
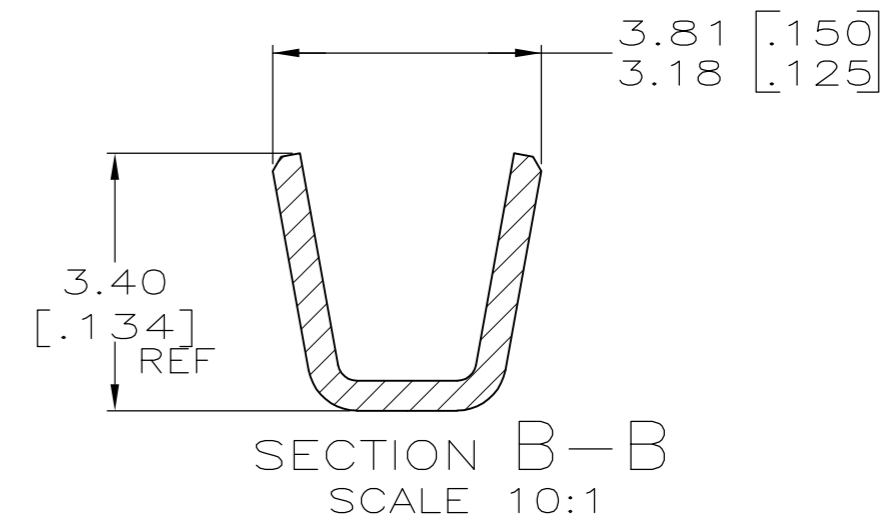
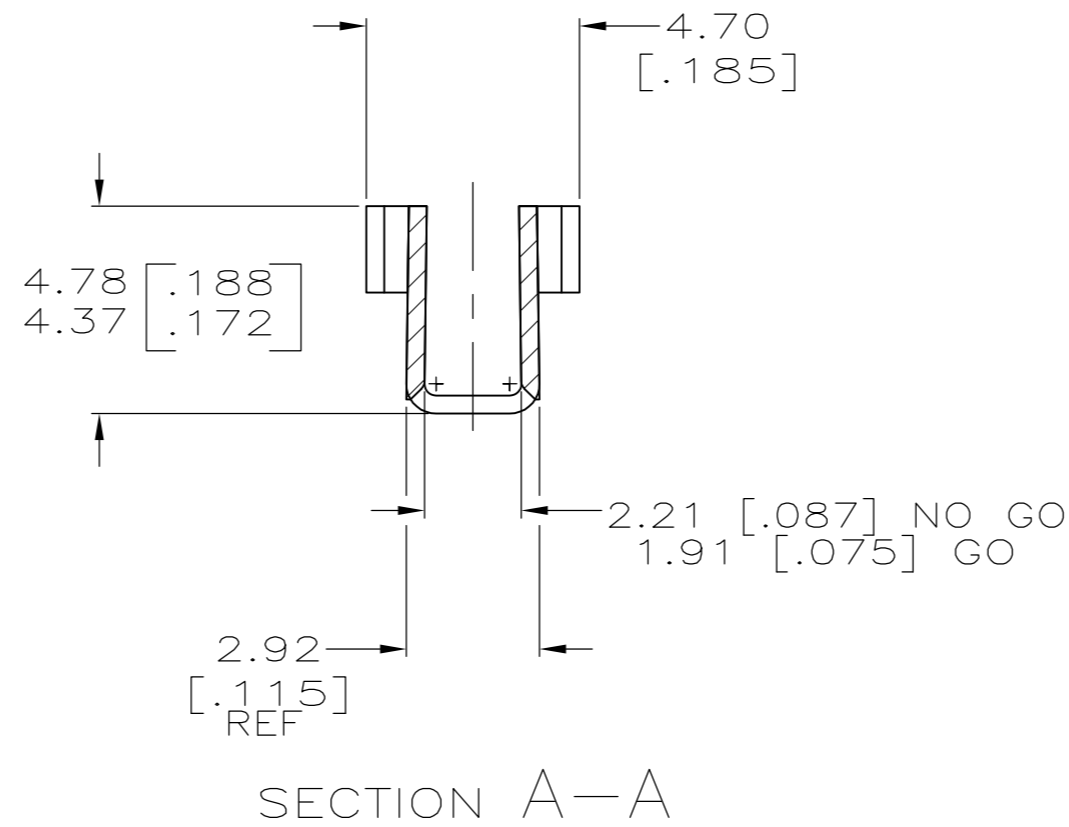
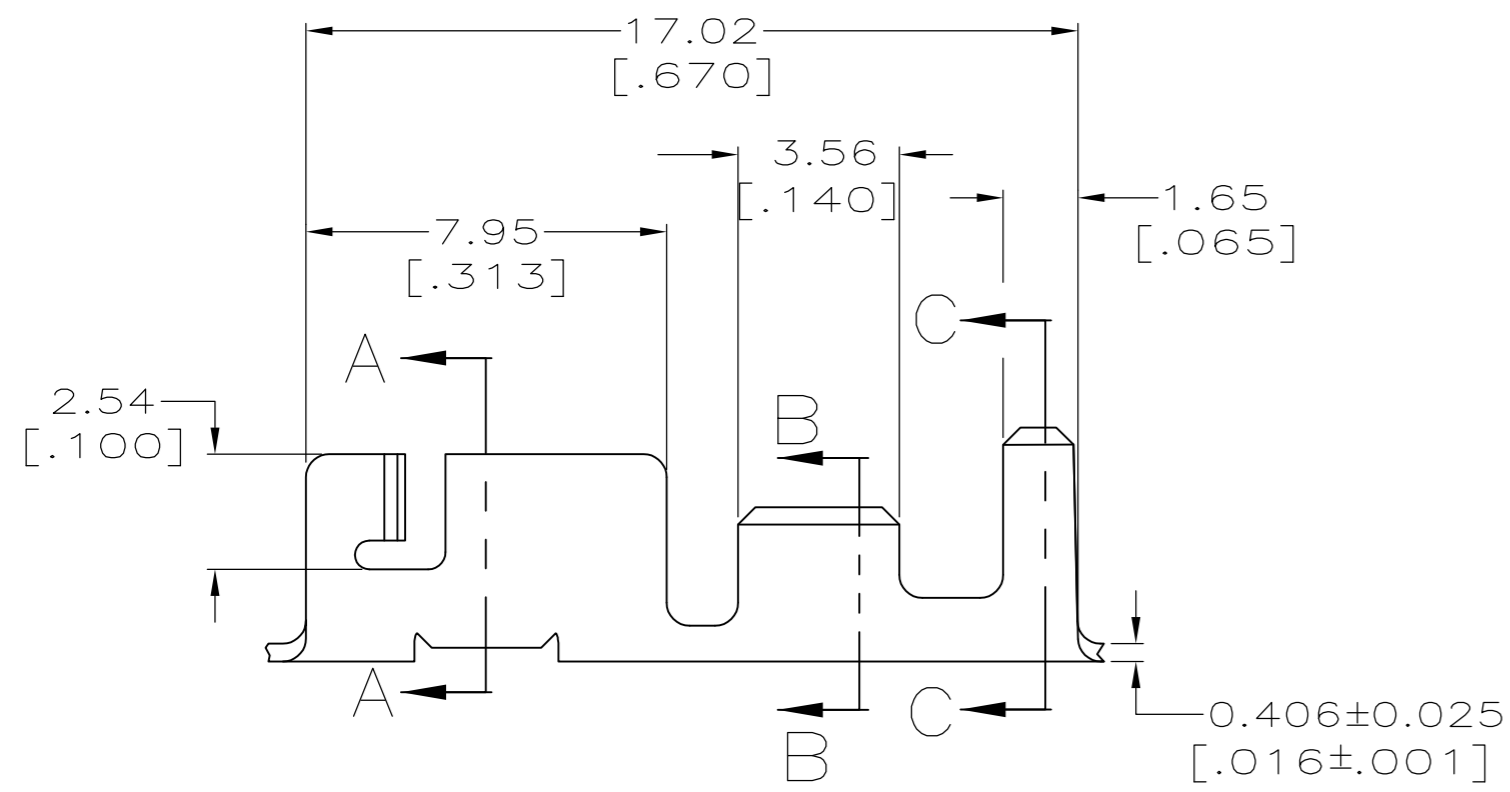


THIS DRAWING IS UNPUBLISHED. RELEASED FOR PUBLICATION
 © COPYRIGHT - By - ALL RIGHTS RESERVED.

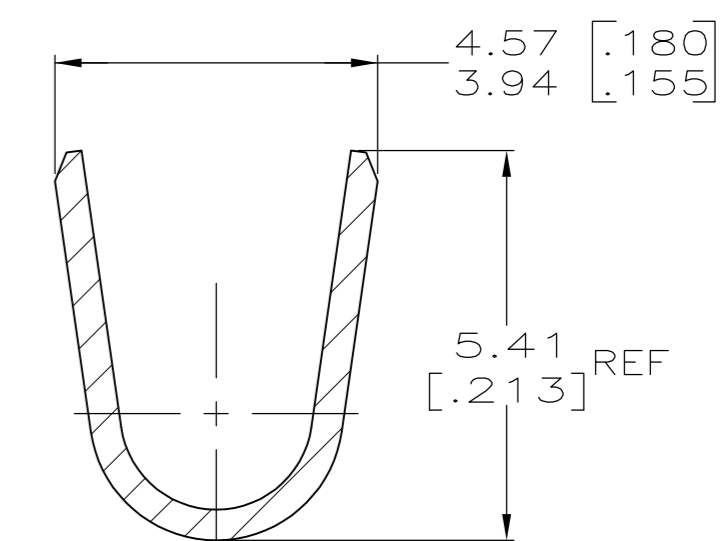
LOC		DIST		REVISIONS			
P	LTR	DESCRIPTION		DATE	DWN	APVD	
AF	50	E		REVISED PER ECR-12-016352	16NOV12	KH	GJ



- 1 CONTINUOUS STRIP ON REELS WITH TERMINALS LOCATED ON 18.67±0.08 [.735±.003] CENTERS.
- 2 PRODUCT SPEC DOES NOT APPLY TO PART NUMBER 1217264-2.
- △ PRELIMINARY - NOT FOR PRODUCTION.



SECTION B-B
SCALE 10:1



SECTION C-C
SCALE 10:1

F OR O	3.3 [.130]	4.37 [.172]	F	2.54 [.100]	1.30 [.05]	0.35 mm ² [22]
					1.35 [.053]	0.5 mm ² [20]
					1.45 [.057]	0.75 mm ² [18]
					1.63 [.064]	1.5 mm ² [16]
					1.85 [.073]	2.0 mm ² [14]
TYPE	WIDTH	STRIP LENGTH ±0.38 ±.015	TYPE	WIDTH	±.051 [±.002] HEIGHT	WIRE
INSUL BARREL CRIMP		WIRE BARREL CRIMP				

H02 CU-FE, C19500	2.03-3.81 [.080-.150] DIA	#22-#14 AWG	△ 1217264-2
H03 TIN-BRASS	2.03-3.81 [.080-.150] DIA	#22-#14 AWG	1217264-1
MATERIAL	INSULATION RANGE	WIRE BARREL	PART NUMBER

THIS DRAWING IS A CONTROLLED DOCUMENT.		DWN 09NOV1999 MICHAEL S. FEHER	STE TE Connectivity		
		CHK 12NOV1999 PETE DESANTIS			
		APVD 12NOV1999 ALEX HUNT III	NAME		
DIMENSIONS: mm [INCHES]		TOLERANCES UNLESS OTHERWISE SPECIFIED:		RECEPTACLE, CLUSTER PIN, 2.29 [.090] DIA	
		0 PLC ± - 1 PLC ± - 2 PLC ± 0.25[.010] 3 PLC ± - 4 PLC ± - ANGLES ± -		PRODUCT SPEC 108-2008 △ 2 APPLICATION SPEC 114-2019	
		MATERIAL SEE TABLE		FINISH POST TIN	
		WEIGHT -		SCALE 6:1 SHEET 1 OF 1 REV E	
		CUSTOMER DRAWING			