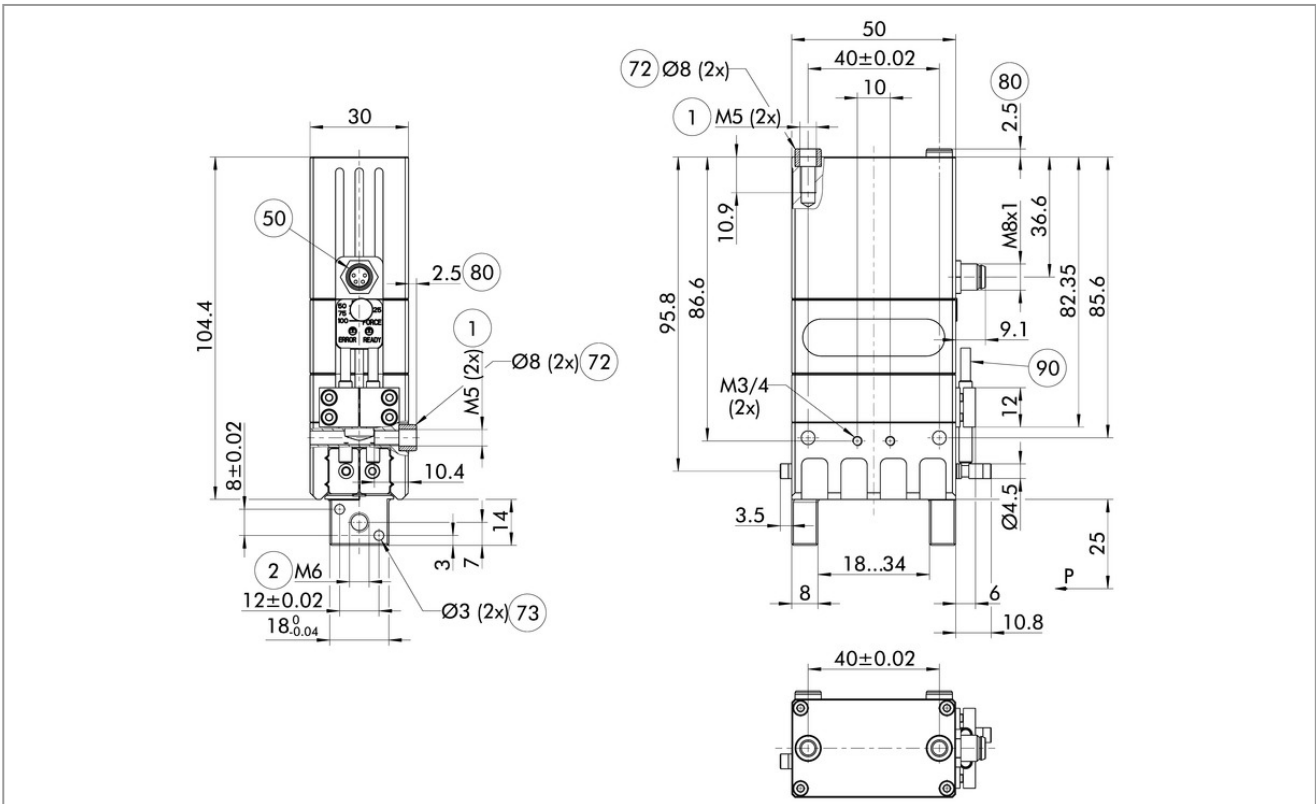


Main view

0310960 EGP 50-N-N-B

- i** Please note that the drawing shown is a view of the basic product. Individual product variants are supplemented by the following drawings. Please also take note of the article's catalog data sheet here.



The drawing shows the basic version of the gripper with open jaws, without dimensional consideration of the options described below.

- ① Gripper connection
- ② Finger connection
- ⑤ Electrical connection
- ⑦ Fit for centering sleeves
- ⑦ Fit for centering pins
- ⑧ Depth of the centering sleeve hole in the counter part
- ⑨ Sensor IN ...