



SPECIFICATION FOR PIEZO Speaker

TOTAL PAGE 07

www.bestargroups.com

RoHS

Preliminary Specification For The Acoustic Characteristics of Piezo Speaker

Customer		Model Name	BPS2030H1.3-01
Customer P/N		Product No.	250132
Date	30 Nov. 16	Issue No.	BS/TEPS01.004A
Page	01 of 07	Issue Date	2016/11/30

Approval:

1. Technical Terms
2. Drawing
3. Reliability Test
4. Packing
5. History Change Record

Drawn by	Checked by	Approved by	Customer approved
魏春欢	赵 崢	徐金国	

BESTAR HOLDING CO.,LTD

No.199 HuangHe West Road,New district,ChangZhou,JiangSu Province,P.R.China

Tel: +86 519 88222567 **Fax:** +86 519 88222551

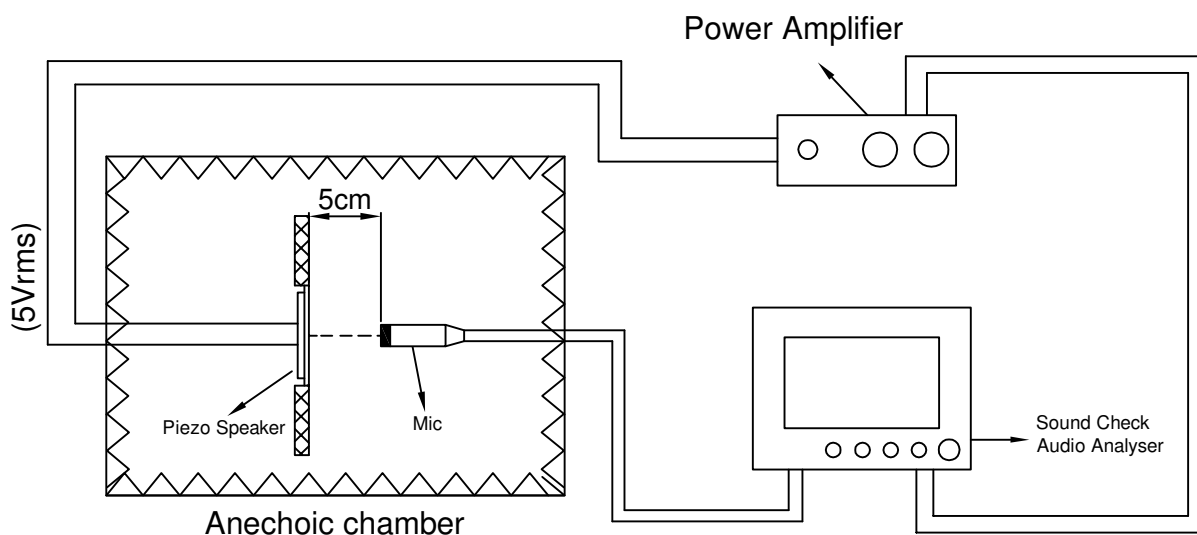
E-mail:wu@be-star.com **<http://www.bestargroups.com>**

BPS2030H1.3-01

1. Technical Terms

No.	Item	Specifications
1.	Size	20x30X1.8mm
2.	Resonance frequency	8 00±150Hz
3.	Rated input voltage	7Vrms
4.	Maximum input voltage	9Vrms
5.	S.P.L(5Vrms 5cm)	93±3 dB(Avg1.0, 1.5, 1.8, 2.0, 3, 3.5,4 KHz)
6.	Operating temperature	- 20...+70°C
7.	Storage temperature	-30...+85°C

1.2 Test Method

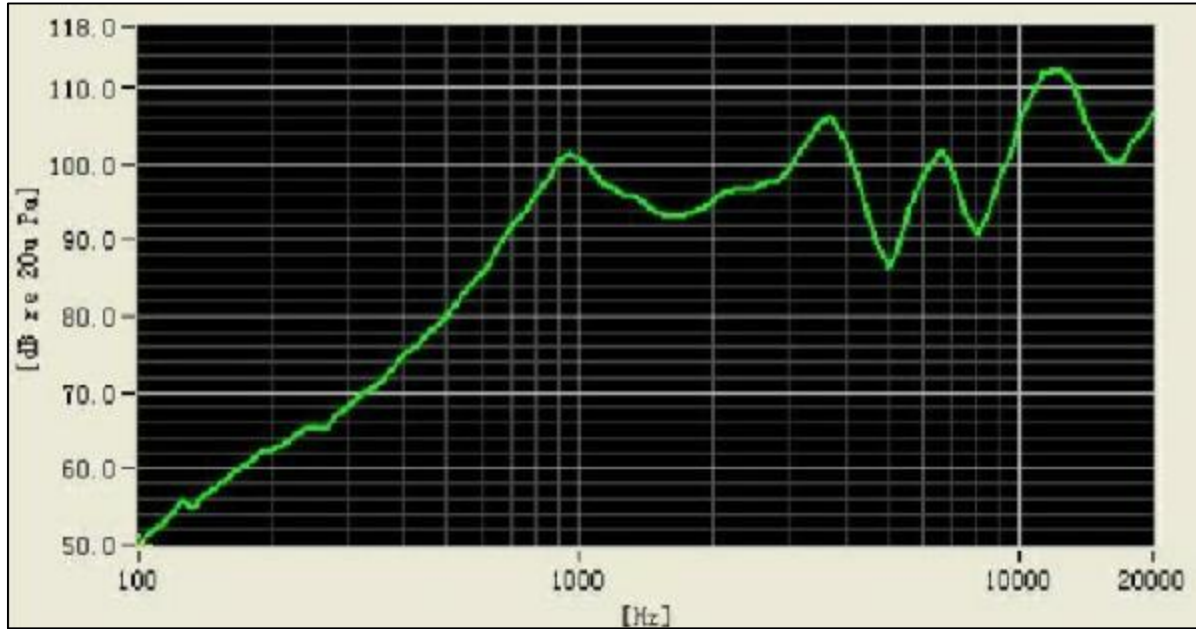


This print and information there in are proprietary to BeStar Holding Co., Ltd. and shall not be used in whole or in part without its written content

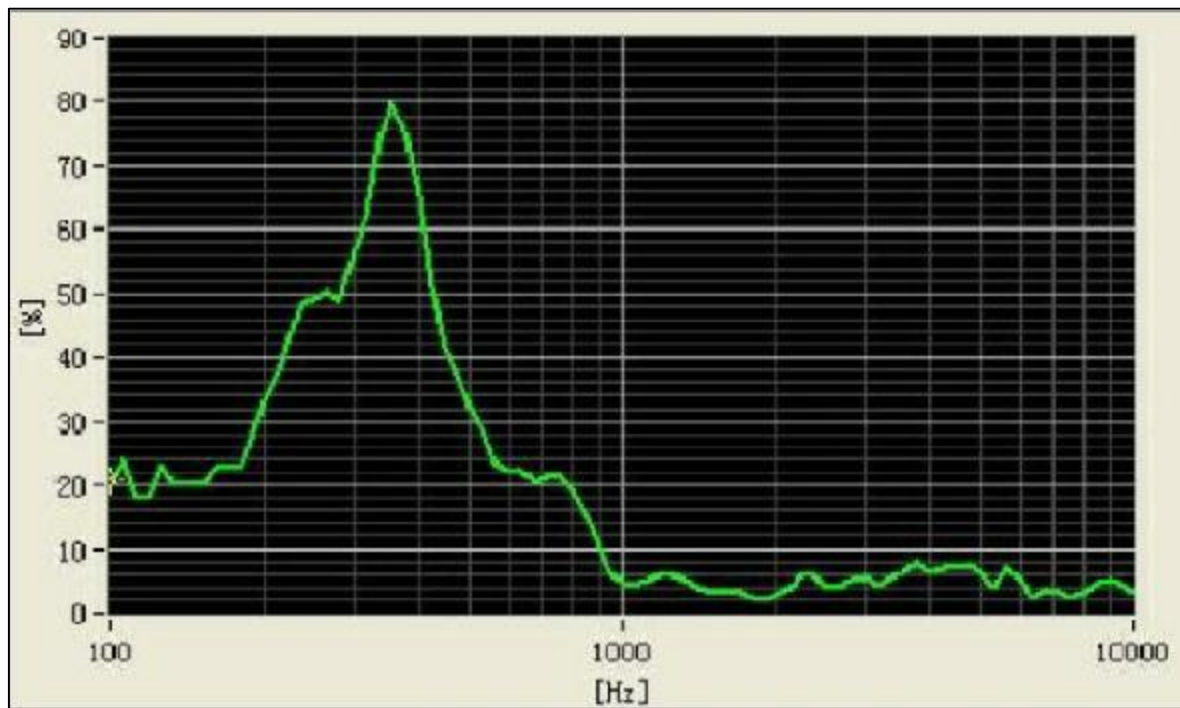
				Date:	2016/11/30	BPS2030H1.3-01
				Drawn by:	魏春欢	
				Checked by:	赵 崢	
Rev.	Date	Drawn	Note	Approved by:	徐金国	Pizeo Speaker
BESTAR HOLDING CO.,LTD						DRG NO:BS/TEPS01.004A
www.bestargroups.com wu@be-star.com						Page:02 of 07

BPS2030H1.3-01

1.3 Frequency Response Curve (only for reference)



1.4 Total Harmonic Distortion Curve (only for reference)

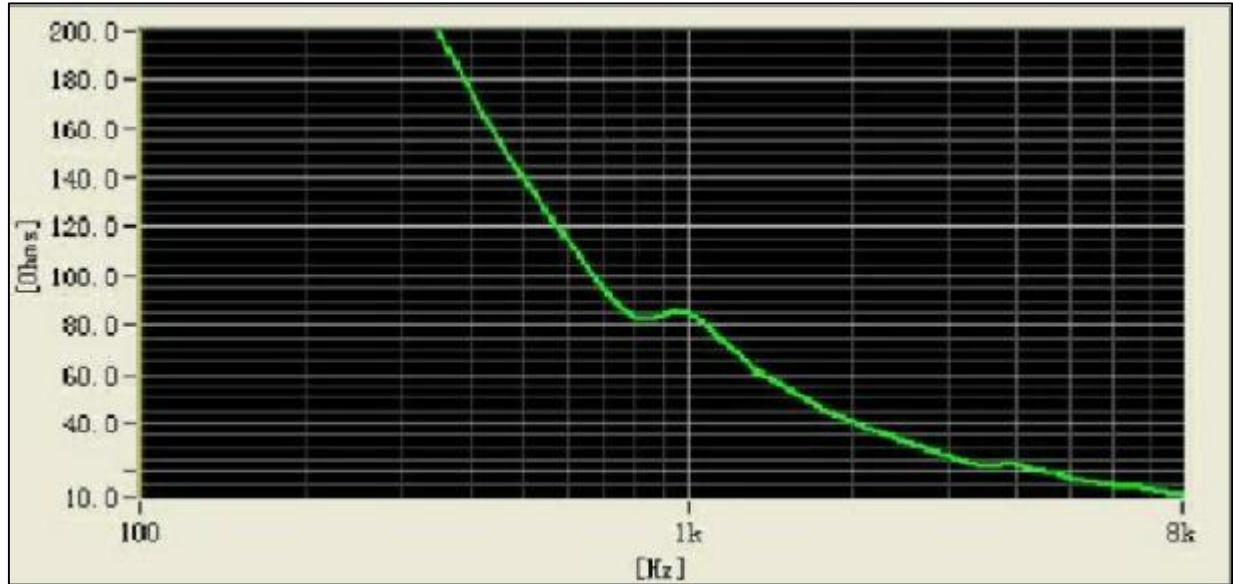


This print and information there in are proprietary to BeStar Holding Co., Ltd. and shall not be used in whole or in part without its written content

				Date:	2016/11/30	BPS2030H1.3-01
				Drawn by:	魏春欢	
				Checked by:	赵 峥	
Rev.	Date	Drawn	Note	Approved by:	徐金国	Pizeo Speaker
BESTAR HOLDING CO.,LTD						DRG NO:BS/TEPS01.004A
www.bestargroups.com wu@be-star.com						Page:03 of 07

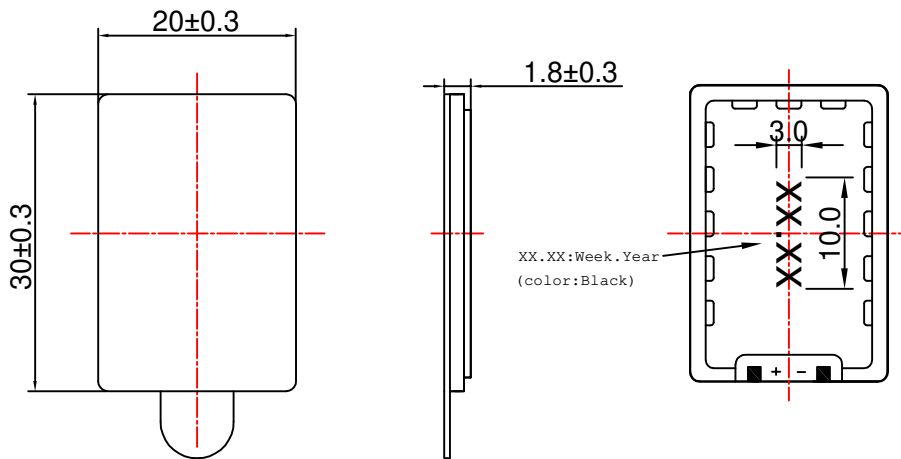
BPS2030H1.3-01

1.5 Impedance Response Curve (only for reference)



2.Drawing

Unit:mm
Tolerance:±0.3



This print and information there in are proprietary to BeStar Holding Co., Ltd. and shall not be used in whole or in part without its written content

				Date:	2016/11/30	BPS2030H1.3-01
				Drawn by:	魏春欢	
				Checked by:	赵 峥	
Rev.	Date	Drawn	Note	Approved by:	徐金国	Piezo Speaker
BESTAR HOLDING CO.,LTD						DRG NO:BS/TEPS01.004A
www.bestargroups.com wu@be-star.com						Page:04 of 07

BPS2030H1.3-01

3. Reliability Test

3.1 Load test

Input Signal	6.5V sine wave 1KHz
Duration	240hours

3.2 Heat test

Temperature	+70±3°C
Duration	240hrs

3.3 Cold test

Temperature	-20±3°C
Duration	240hrs

3.4 Temperature change(shock)

Low Temperature	-20± 3°C
High Temperature	+60± 3°C
Dwell time each temperature	30min
Transfer time from lower to upper temperature	<10s
Cycles	10

3.5 Moisture Test

Temperature	+40± 2°C
Humidity	92± 2%(RH)
Duration	240hrs

3.6 Drop test

Surface(floor)	concrete or steel
Height	75cm
Direction	X,Y&Z 3axes

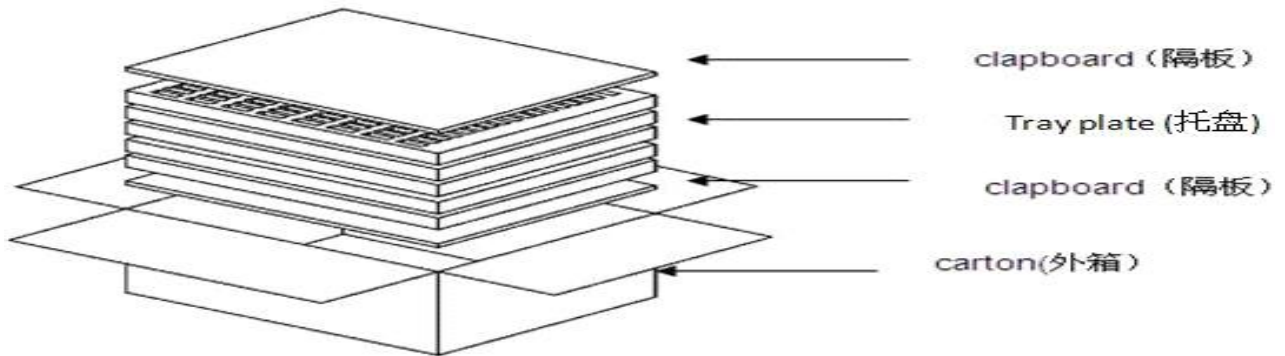
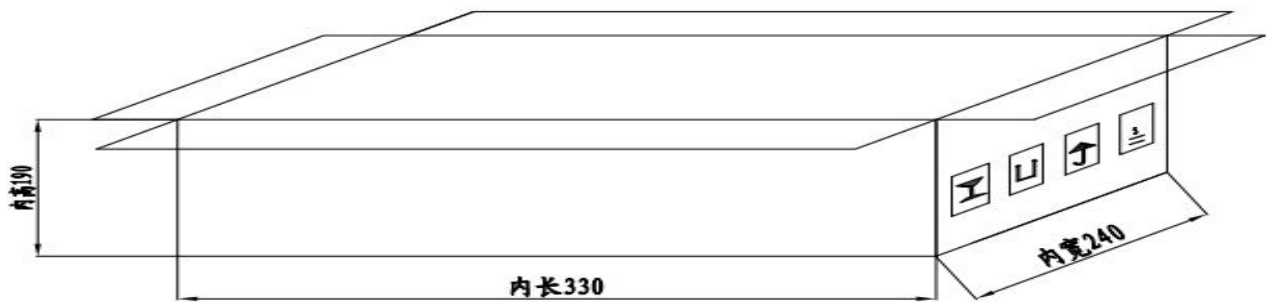
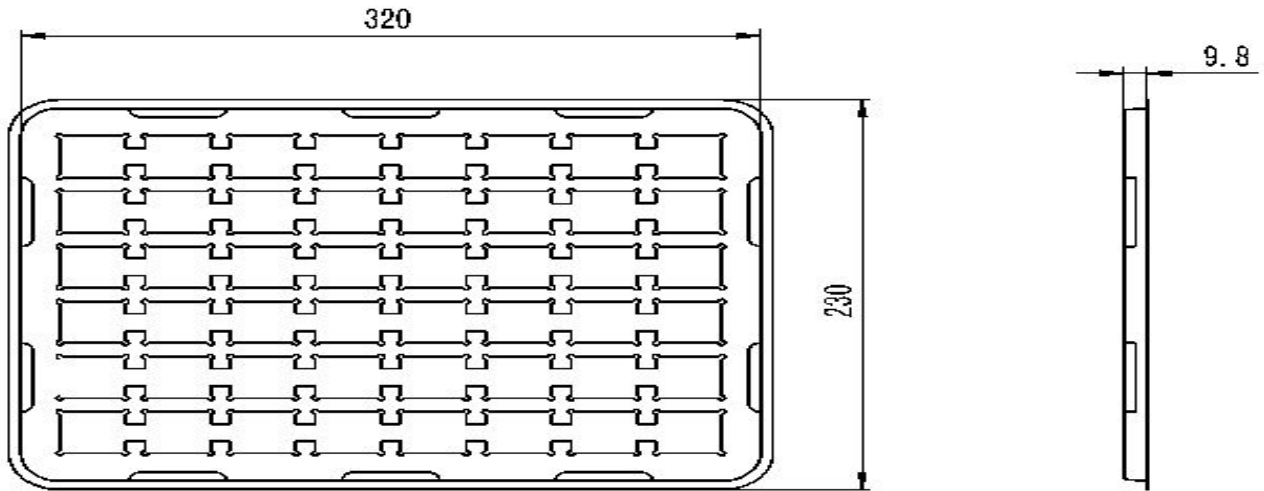
After the test,all electronic and acoustic characteristic should be satisfied with the specification. SPL: Deviation is of ±3dB of initial value.
frequency :Deviation is of ±20%Hz of initial value.

This print and information there in are proprietary to BeStar Holding Co., Ltd. and shall not be used in whole or in part without its written content

				Date:	2016/11/30	BPS2030H1.3-01
				Drawn by:	魏春欢	
				Checked by:	赵 峥	
Rev.	Date	Drawn	Note	Approved by:	徐金国	Pizeo Speaker
BESTAR HOLDING CO.,LTD						
www.bestargroups.com wu@be-star.com						DRG NO:BS/TEPS01.004A Page:05 of 07

BPS2030H1.3-01

4. Packing (TBD)



20pcs per Tray Plate,
25pcs cardboard per carton,
500pcs per carton

This print and information there in are proprietary to BeStar Holding Co., Ltd. and shall not be used in whole or in part without its written content

				Date:	2016/11/30	BPS2030H1.3-01	
				Drawn by:	魏春欢		
				Checked by:	赵 崢	Piezo Speaker	
Rev.	Date	Drawn	Note	Approved by:	徐金国		
BESTAR HOLDING CO.,LTD						DRG NO:BS/TEPS01.004A	Page:06 of 07
www.bestargroups.com wu@be-star.com							

BPS2030H1.3-01

5. History change record

version No.	Change Items		Date	Drawn	Approved
	Before	After			
A			2016/11/30	魏春欢	徐金国

This print and information there in are proprietary to BeStar Holding Co., Ltd. and shall not be used in whole or in part without its written consent

A		Date:	2016/11/30	BPS2030H1.3-01	
A		Drawn by:	魏春欢		
A		Checked by:	赵 峥		
Rev.	Date	Drawn	Note	Approved by:	徐金国
BESTAR HOLDING CO.,LTD				DRG NO:BS/TEPS01.004A	Page:07 of 07
www.bestargroups.com				wu@be-star.com	