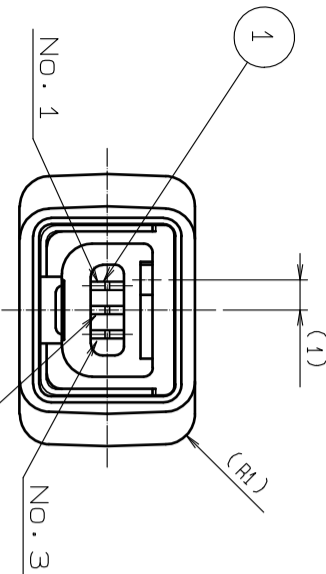
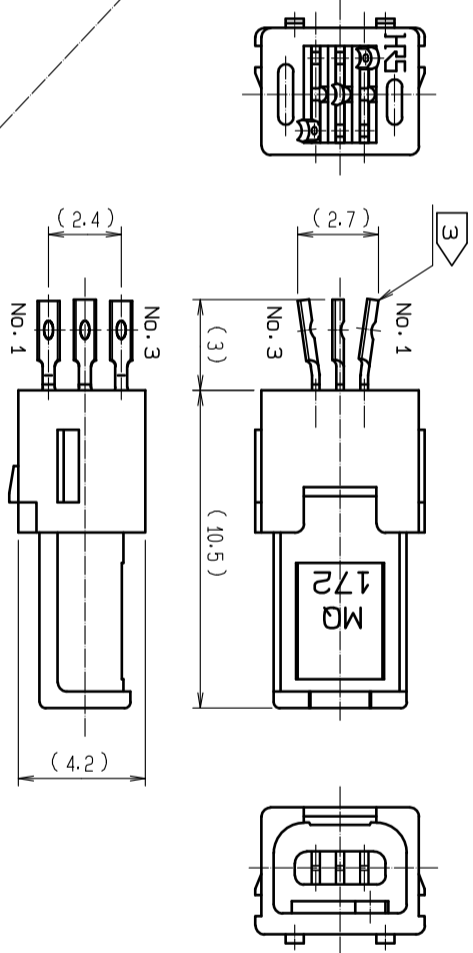


1 CHART-1 POLARIZATION

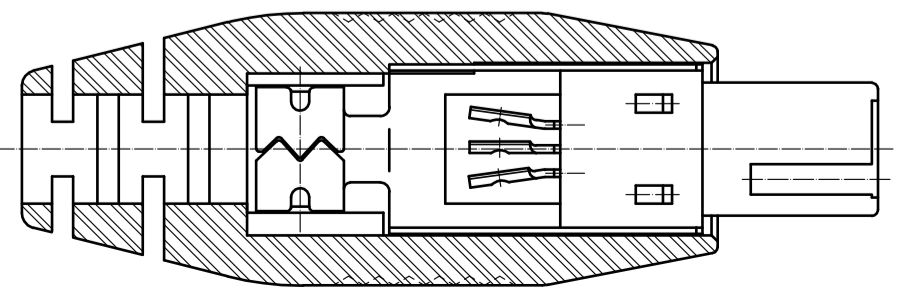
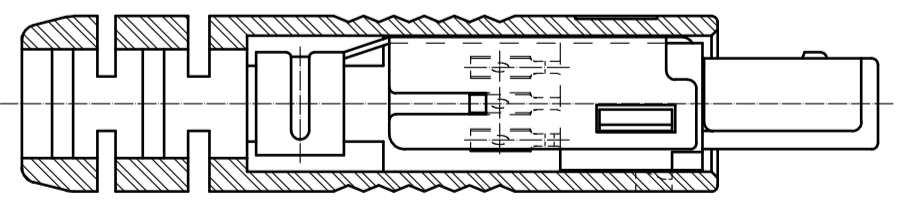
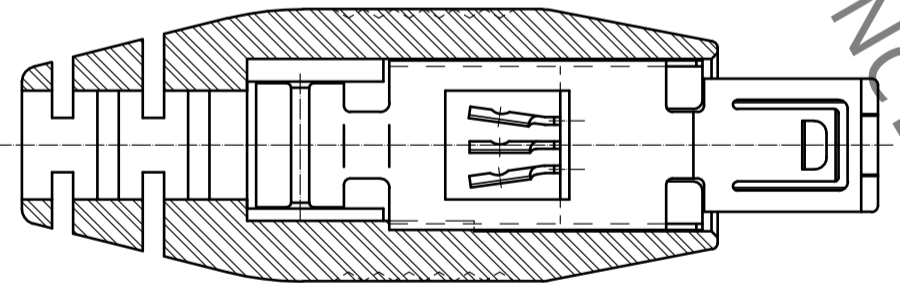
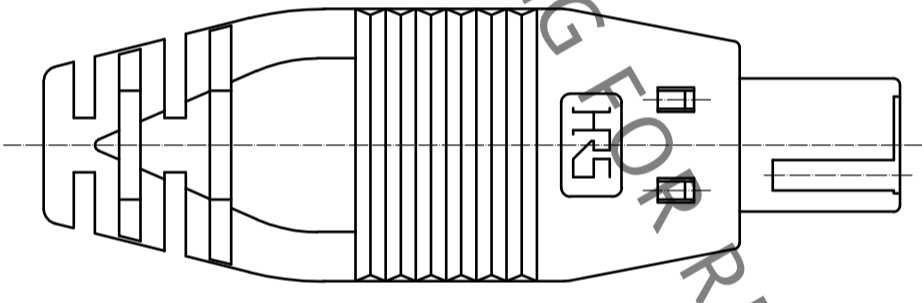
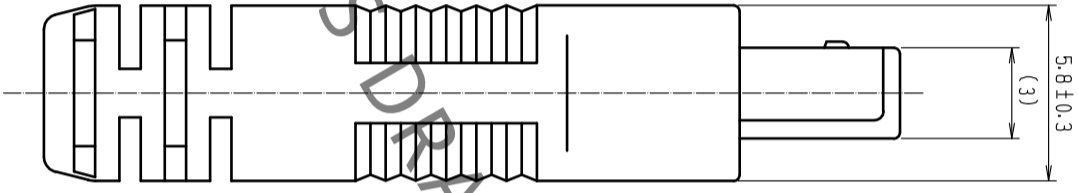
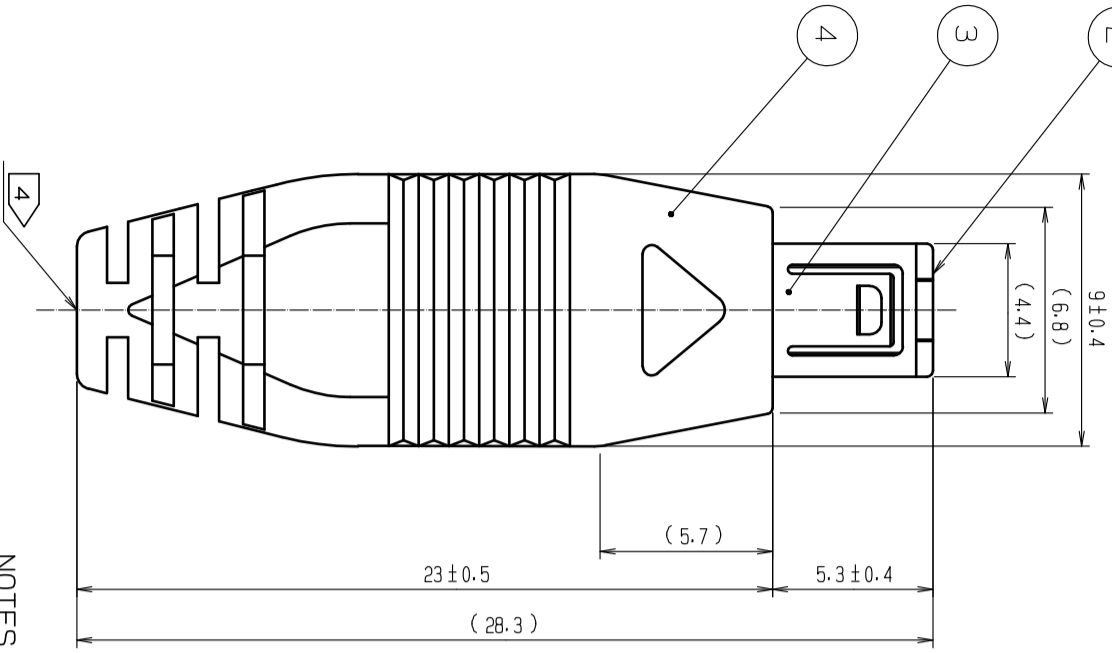
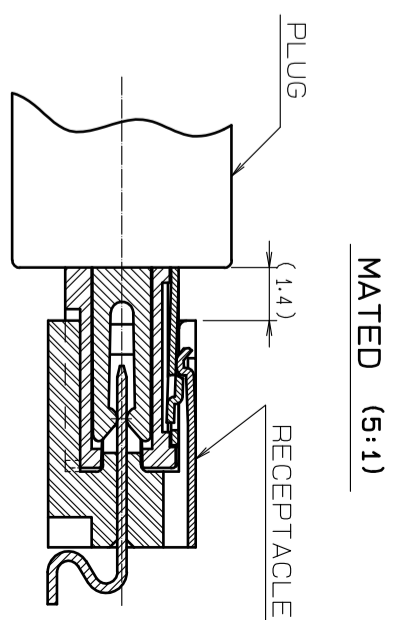
NO. 1** (+)	POWER
NO. 2** (+)	SIGNAL
NO. 3** (-)	POWER



2 CONNECTOR UNIT

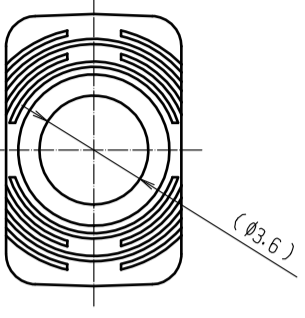


CONSTRUCTION (REFERENCE)



NOTES

- 1 POLARIZATION IS AS SHOWN ON CHART-1.
- 2 COMPONENTS PART NO. 3 AND NO. 4 ARE APPENDED PRODUCTS EXCEPT CONNECTOR UNIT (ASSEMBLED COMPONENTS PART NO. 1 AND NO. 2).
- 3 TERMINAL AREA SHALL BE COVERED WITH SHRINKAGE TUBE AFTER SOLDERING.
- 4 PROJECTION OF GATE IS 0.8 MAX.
- 5 DIRECTIONS FOR USE.
PLEASE DO NOT USE FOR THE PURPOSE OF INTERRUPTING THE CURRENT.



1	COPPER ALLOY	CONTACT AREA : PALLADIUM-NICKEL 0.7μm + GOLD 0.2μm LEAD AREA : GOLD 0.03μm UNDER PLATING : NICKEL 1.27μm	4	POLYAMIDE	BLACK UL94V-2
2	POLYAMIDE		3	STAINLESS STEEL	
3	POLYAMIDE		2	POLYAMIDE	BLACK UL94V-0

UNITS	SCALE	COUNT	DESCRIPTION OF REVISIONS	DESIGNED	CHECKED	DATE
mm	4 : 1					

APPROVED	DESIGNED	CHECKED	DRAWING
·NM. NISHIMATSU	·TS. ITO	·KN. ICHIKAWA	·AK. AKIYAMA
15.10.27	15.10.27	15.10.27	15.10.27
EDC-120678-30-00	MQ172-3SA-CV(30)		CL206-0951-7-30