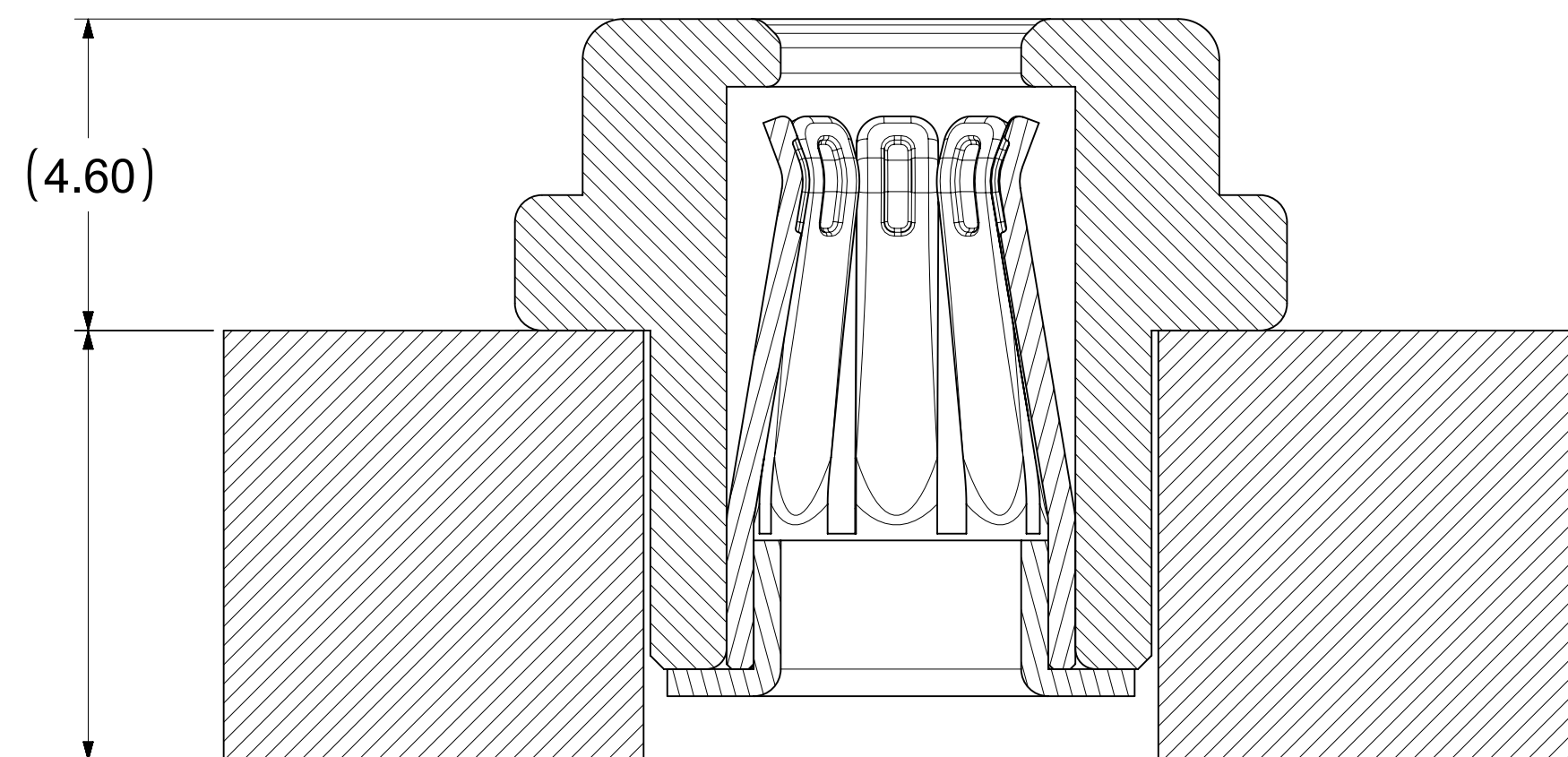
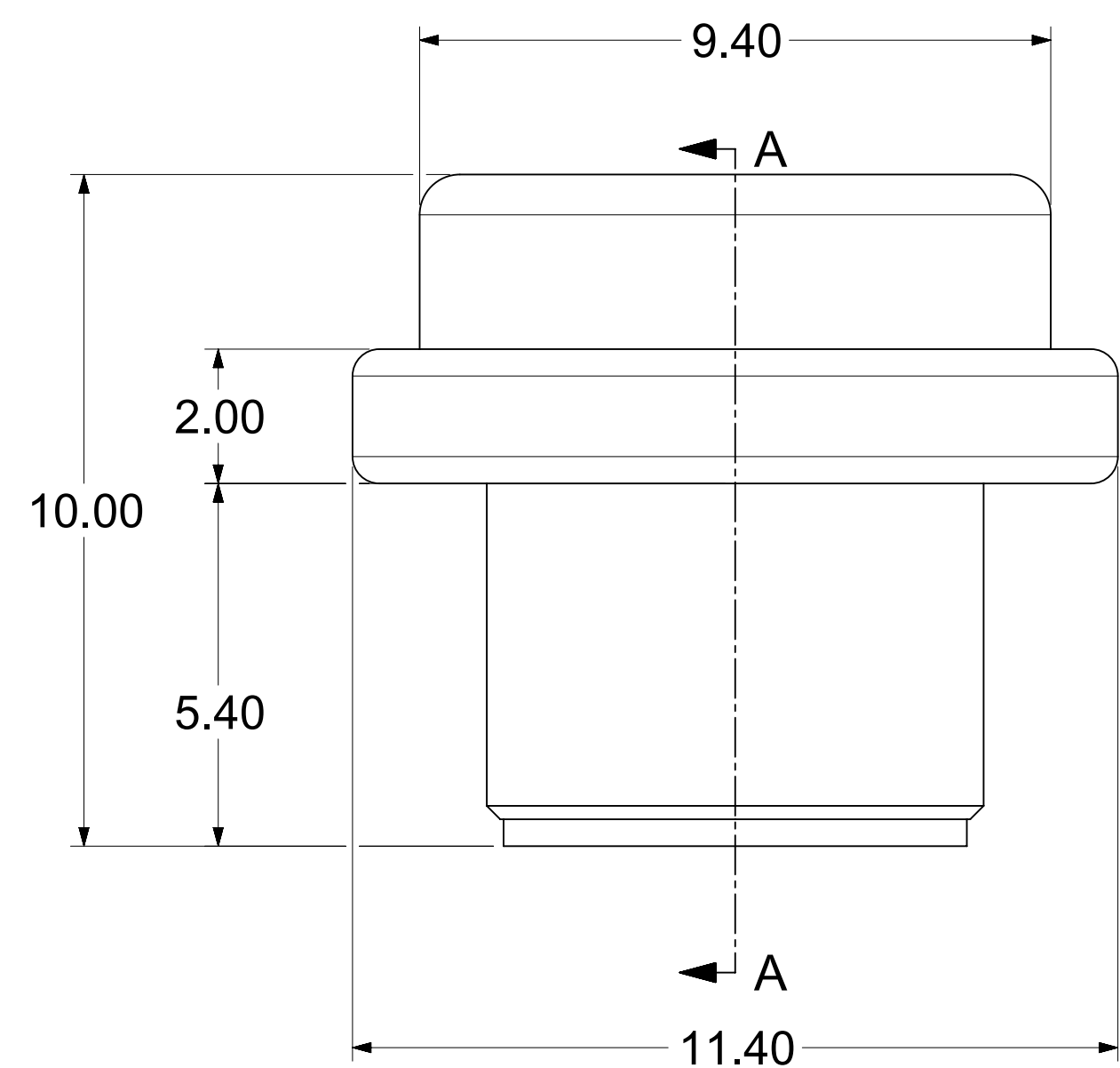
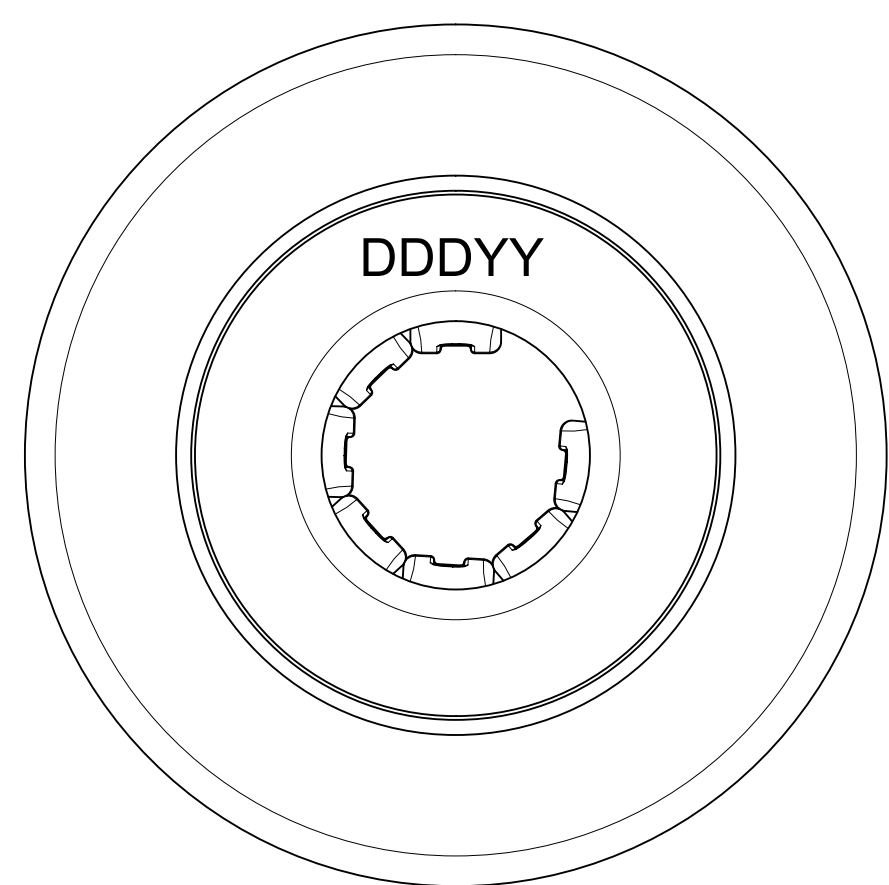


MATING PROFILE



6.35 SHOWN
(1.58MM MINIMUM RECOMMENDED
PCB THICKNESS)



NOTES:

1. MATERIALS:
RETENTION CAP: STAINLESS STEEL
PICK AND PLACE CAP: LCP UL94, V-0 COLOR BLACK
BASE METAL: HIGH CONDUCTIVE COPPER ALLOY
PLATING ON CONTACTS: 0.75 MICRON MIN GOLD OVER 1.27 MICRON MIN NICKEL
PLATING ON BODY: 3.18 MICRON MIN SILVER OVER 1.27 MICRON MIN NICKEL
2. MATES WITH THE STANDARD PIN DRAWINGS:
i. 3.4MM SMT DRAWING 2032631134-SD, MIN. MATE DISTANCE 7.35MM
ii. 3.4MM PRESS FIT DRAWING 2032630034-SD, MIN. MATE DISTANCE 7.10MM
iii. 3.4MM SCREW MOUNT DRAWING 2032638034-SD, MIN. MATE DISTANCE 10.10MM
3. PRODUCT SPECIFICATION: 2043130018-PS
4. APPLICATION SPECIFICATION: 2043130018-AS.
SEE APPLICATION SPEC FOR SOLDERING INFORMATION.
5. PACKAGING SPECIFICATION: 2121940018-PK.
6. SILVER COMPONENTS WILL BE SUPPLIED TARNISH FREE BUT MAY TARNISH OVER TIME.
7. PICK AND PLACE CAP TO BE REMOVED AFTER SOLDERING
8. DATE CODE TO BE LASER MARKED APPROXIMATELY WHERE SHOWN USING DDDYY FORMAT

THIS DRAWING CONTAINS INFORMATION THAT IS PROPRIETARY TO MOLEX ELECTRONIC TECHNOLOGIES, LLC AND SHOULD NOT BE USED WITHOUT WRITTEN PERMISSION									
DIMENSION UNITS	SCALE	CURRENT REV DESC: UPDATED THE TITLE BLOCK							
mm	NTS	<div style="text-align: right; font-size: 2em; font-weight: bold;">molex</div> <p>3.4MM SENTRALITY TOP ENTRY SMT STANDARD SOCKET IN T&R</p> <p>PRODUCT CUSTOMER DRAWING</p>							
GENERAL TOLERANCES (UNLESS SPECIFIED)									
ANGULAR TOL	± 0.5°								
4 PLACES	±								
3 PLACES	±								
2 PLACES	± 0.15	EC NO: 747243	2023/02/28		DOCUMENT NUMBER		DOC TYPE	DOC PART	REVISION
1 PLACE	± 0.25	DRWN: SACHIK7	2023/04/25		2121940018-SD		PSD	000	B2
0 PLACES	±	CHK'D: SCS02	2023/04/26		MATERIAL NUMBER		CUSTOMER		SHEET NUMBER
DRAFT WHERE APPLICABLE MUST REMAIN WITHIN DIMENSIONS		THIRD ANGLE PROJECTION	DRAWING	SERIES	MATERIAL NUMBER	CUSTOMER		SHEET NUMBER	
			D-SIZE	212194	2121940018	GENERAL MARKET		1 OF 1	