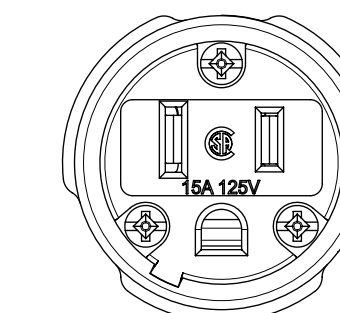
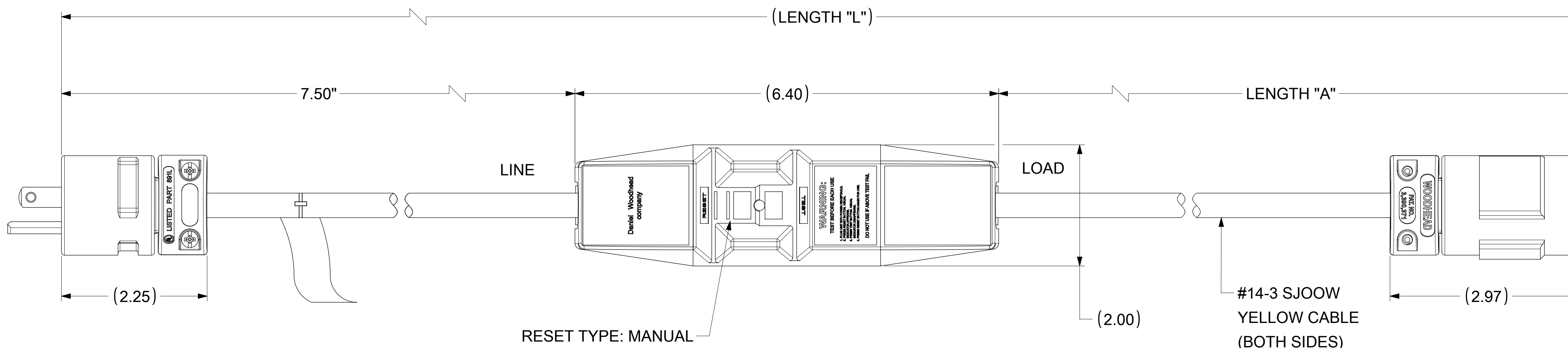
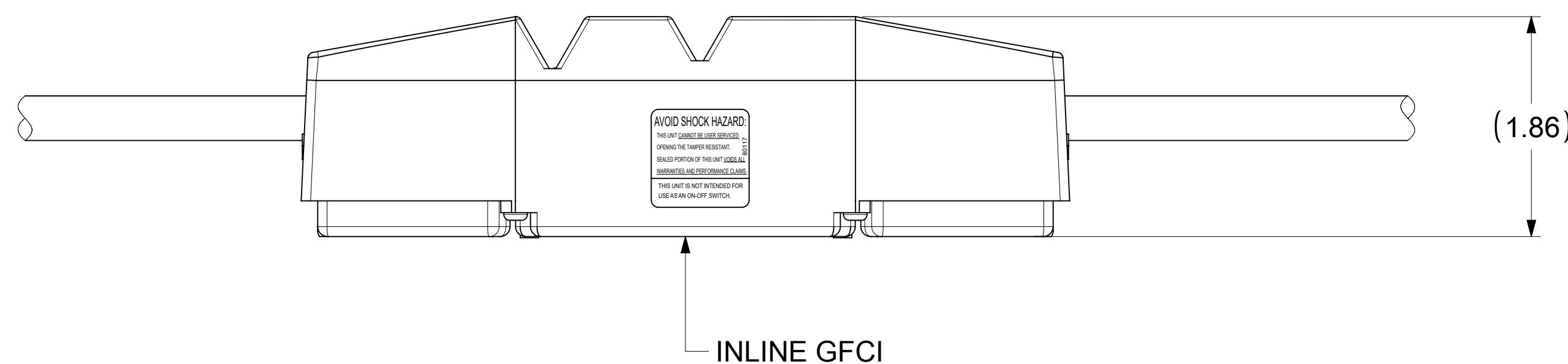


1447 AS SHOWN



1547 AS SHOWN



TECHNICAL

LISTED: cULus
 RATED SUPPLY VOLTAGE: 120VAC
 RATED CURRENT: 15A
 RESET TYPE: MANUAL
 OPERATING FREQUENCY: 60 Hz
 TYPE: CLASS A
 GROUND TRIP CURRENT: 4-6 mA
 OVERLOAD CURRENT: 90A
 INSULATION VOLTAGE: 1,500 VRMS - 1 MINUTE
 ENDURANCE OPERATIONS: 3000 OPERATIONS

MATERIAL NO.	ENGINEERING NO.	LENGTH "A"	LENGTH "L"	PLUG	CONNECTOR
1301530042	15051-1	9.50 IN.	1 FT. 11.4 IN	1447	1547
1301530051	15051-6	4 FT. 10.5 IN.	6 FT. 0.4 IN.	1447	1547
1301530045	15051-25	23 FT. 10.5 IN.	25 FT. 0.4 IN.	1447	1547
1301530048	15051-50	48 FT. 10.5 IN.	50 FT. 0.4 IN.	1447	1547

FUNCTIONAL SYMBOLS $F_A = 0$ $F_C = 0$ $F_D = 0$ DIVISIONAL SYMBOLS	THIS DRAWING CONTAINS INFORMATION THAT IS PROPRIETARY TO MOLEX ELECTRONIC TECHNOLOGIES, LLC AND SHOULD NOT BE USED WITHOUT WRITTEN PERMISSION		DIMENSION UNITS: INCH SCALE: NTS		CURRENT REV DESC: NEW SALES DRAWING CREATED	
	GENERAL TOLERANCES (UNLESS SPECIFIED) ANGULAR TOL ± °		EC NO: 693004 DRWN: PPURSUTANDEL 2021/09/23 CHK'D: DNGUYEN62 2022/01/26 APPR: HKNEELAND 2022/02/02			
	4 PLACES ± 3 PLACES ± 2 PLACES ± 1 PLACE ± 0 PLACES ±		INITIAL REVISION: DRWN: PPURSUTANDEL 2021/09/23 APPR: HKNEELAND 2022/02/02			
	DRAFT WHERE APPLICABLE MUST REMAIN WITHIN DIMENSIONS		THIRD ANGLE PROJECTION	DRAWING: D-SIZE	SERIES: 130153	MATERIAL NUMBER: SEE TABLE

GFCI IN-LINE 15A WITH SAFEWAY PLUG AND CONNECTOR

PRODUCT CUSTOMER DRAWING

DOCUMENT NUMBER	DOC TYPE	DOC PART	REVISION
1301530045	PSD	000	A