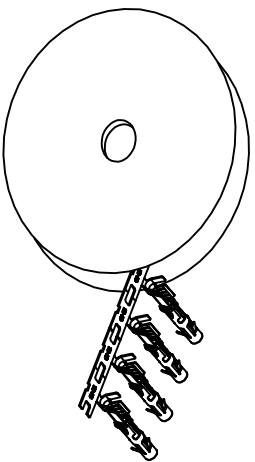


REVISIONS				
REV	ECO	DESCRIPTION	DATE	BY APPR
A1	-	RELEASED DRAWING	Jul-16-18	Flan Tommy

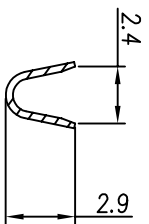


CONTACT ORIENTATION ON ROLL(3000PCS/COIL)

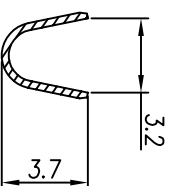
NOTES : (UNLESS OTHERWISE SPECIFIED)

- MATERIAL :
  - CONTACT BODY : COPPER ALLOY.
  - OUTER SPRING : STAINLESS STEEL.
- SPECIFICATIONS :
  - CURRENT RATING : 13A MAX.
  - TERMINATION TYPE : CRIMPING.
  - WIRE RANGE : 16~18AWG.
  - WIRE INSULATION DIA(MAX) :  $\phi$ 3.2mm.
- RoHS COMPLIANT.
- ALL DIMENSIONS ARE FOR REFERENCE USE ONLY.
- AVAILABLE TOOLS :
  - HAND CRIMPER : MFX-3954.
  - CRIMP APPLICATOR : MFX-3957.
  - EXTRACTION TOOL : QXRT16.

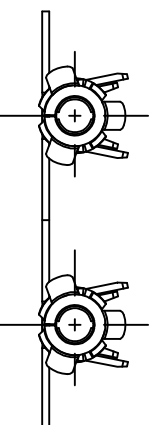
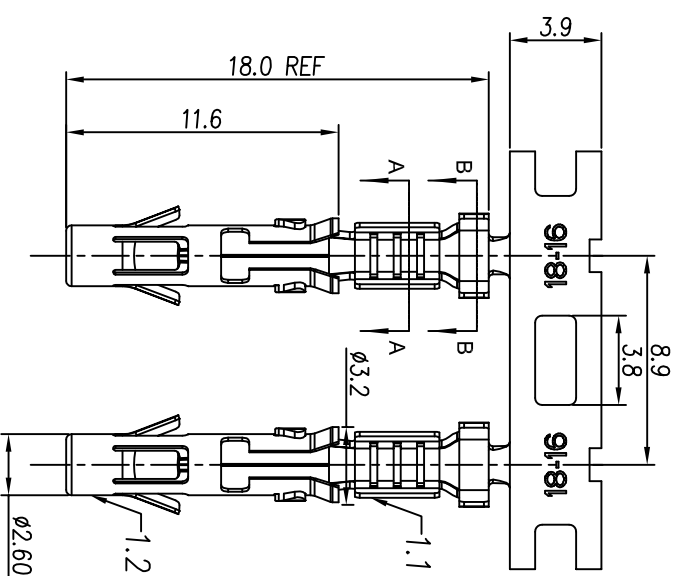
P/N	CONTACT PLATING(MATING AREA)
SS16M2T	TIN PLATING OVER NICKEL.
SS16M2N	NICKEL PLATING OVER COPPERIZE.
SS16M2F	GOLD FLASH PLATING OVER NICKEL.
SS16M2G5	5 $\mu$ "GOLD PLATING OVER NICKEL.
SS16M2G10	10 $\mu$ "GOLD PLATING OVER NICKEL.
SS16M2G15	15 $\mu$ "GOLD PLATING OVER NICKEL.
SS16M2G30	30 $\mu$ "GOLD PLATING OVER NICKEL.



SECTION A-A



SECTION B-B



QUANTITY	PART NUMBER	DESCRIPTION	ITEM

MATERIALS LIST

UNLESS OTHERWISE SPECIFIED	SIGNATURES	DATE
1) All dimensions are in millimeters. 2) Tolerances are as follows: 1 PL, DEC & 0.30 Fractions, ±1/4 3 PL, DEC & 0.08 Angles, ±1°	Flan	Jul-16-18
3) Note reference = $\Delta$	Tommy	Jul-16-18

PROCESS SPECIFICATIONS:	CUSTOMER:	SIZE	TYPE	SCALE	REVISION
	Tommy	B	C-	NONE	A1

TEXT ASSY:	DESCRIPTION:	SCALE:	SHEET	OF
	ECO-MATE SOCKET CONTACT, STAMPED, 16-18AWG, SIZE 16	NONE	1	1

**Amphenol**

Sine Systems - www.amphenol-sine.com  
44724 Morley Drive  
Clinton Township, MI 48036

ECO-MATE SOCKET CONTACT, STAMPED, 16-18AWG, SIZE 16

SIZE: B TYPE: C- SCALE: NONE SHEET: 1 OF: 1