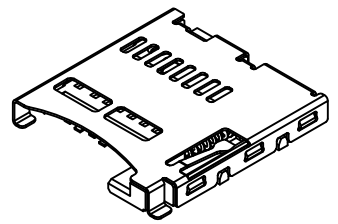
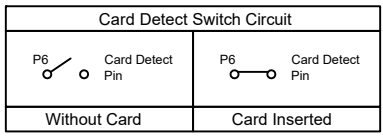
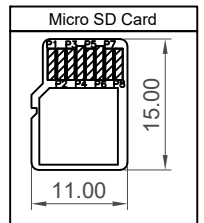


Recommended PCB Layout

As viewed from component side General Tolerance: ±0.05
 ▨ Solder Area ▩ Keep Out Area □ Component Outline

| MICRO SD CARD PIN OUT | | |
|-----------------------|-----------------|--------------------------|
| Pin | Name | Description |
| P1 | DAT2 | Data Bit 2 |
| P2 | CD/DAT3 | Card Detect/Data Bit 3 |
| P3 | CMD | Command Line |
| P4 | V _{cc} | Supply Voltage 2.7v/3.6v |
| P5 | CLK | Clock |
| P6 | V _{ss} | Ground |
| P7 | DAT0 | Data Bit 0 |
| P8 | DAT1 | Data Bit 1 |
| P9 | CD Pin | Card Detect Pin |



Specifications

Material
 Housing&Slider: LCP, UL94V-0, Black
 Terminal& Card Detect Pin: Phosphor Bronze
 Shell: Stainless Steel
 Coil Spring: SWP
 Latch: Stainless Steel

Plating

Terminal:
 Under-plating: 50µ" min. Nickel all over
 Contact Area: Gold Flash
 Soldering Area: 80µ" min. Matte Tin
Shell :
 Under-plating : 50µ" Nickel all over
 Soldering Area : Gold Flash
Card Detect Pin:
 Under-plating: 50µ" min. Nickel all over
 Contact Area: Gold Flash
 Solder Tail : Gold Flash
 Coil Spring&Latch: Clear

Electrical

Voltage Rating: 10 V AC max
 Current Rating: 0.5 A max.
 Contact Resistance: 100mΩ max.
 Insulating Resistance: 1000MΩ min. at 500 V DC
 Dielectric Withstand Voltage: 500 V AC

Mechanical & Environmental

Durability: 10000 Cycles
 Operating Temperature: -40°C to +85°C

Ordering Grid

MEM2052-00-195-00-A [Request Samples and Quotation](#)

Switch: 00 = Normally Open Locating Post: 00 = Without Packing Options: A = Tape & Reel (1000 per Reel)

| | | | |
|--------------------|-----------------|---|----------------------|
| Part Number | | Product Description | |
| MEM2052 | | Micro SD Memory Card Connector | |
| Drawing Date | | Push-Push, SMT, Card Entry Normal, 1.95mm Profile | |
| 23rd November 2022 | | | |
| By | CC | Tolerances (Except as Noted) | Units: |
| Detail | Drawing Release | Length: X.X ±0.35 | Metric (mm) |
| Revision | A1 | Angle: X.XX ±0.25 | ±2° |
| Date | 15/03/23 | X.XXX ±0.15 | 3rd Angle Projection |

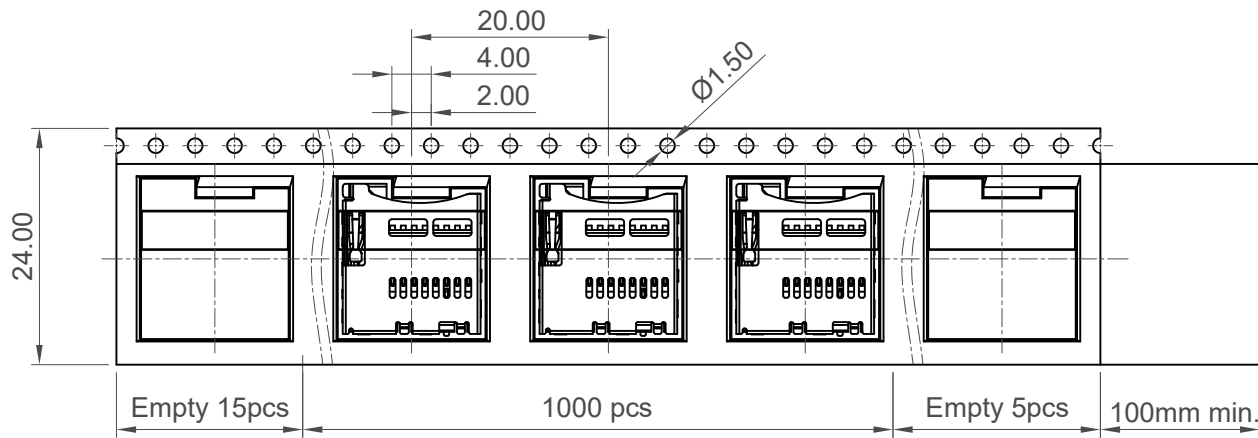


This drawing is confidential and copyright of Global Connector Technology, Ltd (GCT). This drawing must not be copied or disclosed without written consent. E & OE

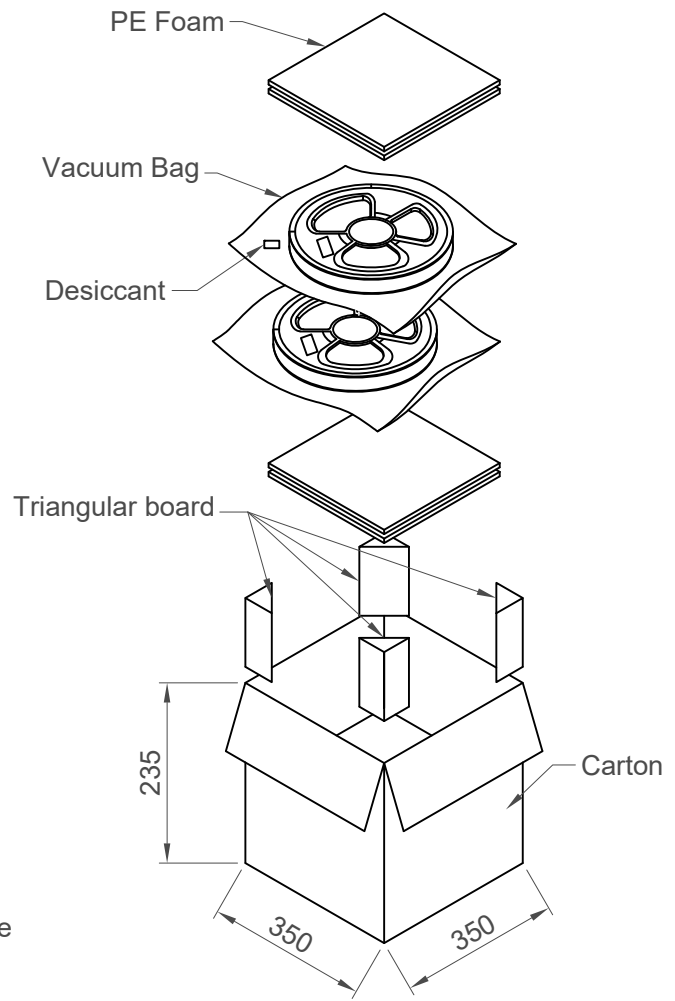
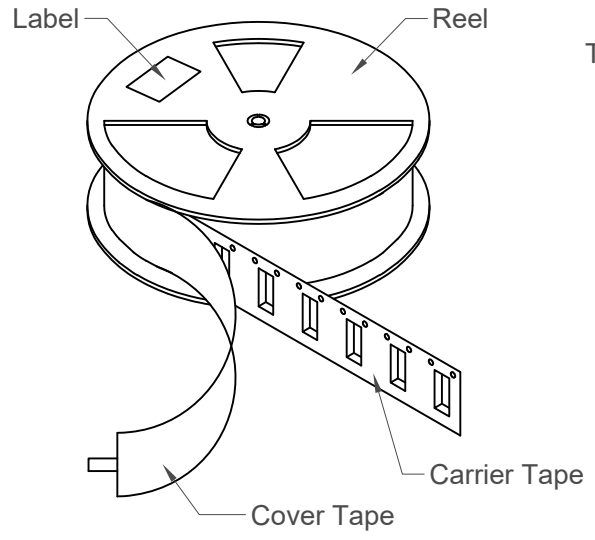
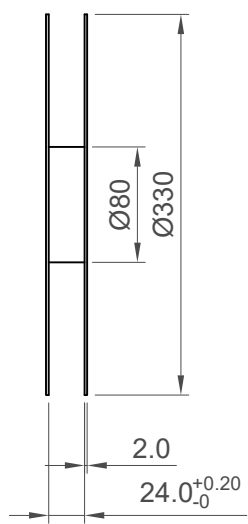
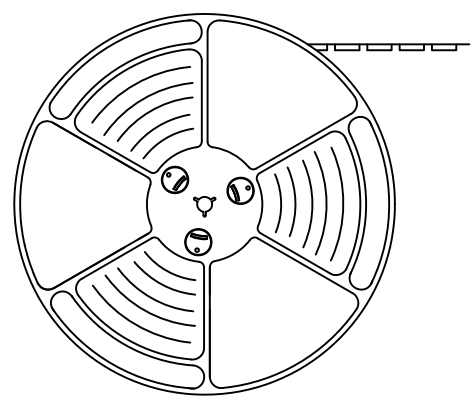


www.gct.co

| | | |
|--------------|-------------|---------------|
| Not to Scale | Drawn By CC | Sheet No. 1/2 |
|--------------|-------------|---------------|



Pull out direction
→



| Pcs/Reel | Reels/Carton | Pcs/Carton |
|----------|--------------|------------|
| 1000 | 6 | 6000 |

| | | | | | | | | | | | | | | | | | | | | | | | | |
|--------------------|-----------------|---|-------------|--|---|----|----|------------------------------|--------|--------|-----------------|--------|-------------|----------|----|-----------|-----|------|----------|------------|--|--|-------------|--|
| Part Number | | Product Description | | | This drawing is confidential and copyright of Global Connector Technology, Ltd (GCT). This drawing must not be copied or disclosed without written consent. E & OE | | | | | | | | | | | | | | | | | | | |
| MEM2052 | | Micro SD Memory Card Connector | | | | | | | | | | | | | | | | | | | | | | |
| Drawing Date | | Push-Push, SMT, Card Entry Normal, 1.95mm Profile | | | | | | | | | | | | | | | | | | | | | | |
| 23rd November 2022 | | | | | <table border="1"> <tr> <td>By</td> <td>CC</td> <td>Tolerances (Except as Noted)</td> <td>Units:</td> </tr> <tr> <td>Detail</td> <td>Drawing Release</td> <td>Length</td> <td>Metric (mm)</td> </tr> <tr> <td>Revision</td> <td>A1</td> <td>X.X ±0.35</td> <td rowspan="2">±2°</td> </tr> <tr> <td>Date</td> <td>15/03/23</td> <td>X.XX ±0.25</td> </tr> <tr> <td></td> <td></td> <td>X.XXX ±0.15</td> <td></td> </tr> </table> | By | CC | Tolerances (Except as Noted) | Units: | Detail | Drawing Release | Length | Metric (mm) | Revision | A1 | X.X ±0.35 | ±2° | Date | 15/03/23 | X.XX ±0.25 | | | X.XXX ±0.15 | |
| By | CC | Tolerances (Except as Noted) | Units: | | | | | | | | | | | | | | | | | | | | | |
| Detail | Drawing Release | Length | Metric (mm) | | | | | | | | | | | | | | | | | | | | | |
| Revision | A1 | X.X ±0.35 | ±2° | | | | | | | | | | | | | | | | | | | | | |
| Date | 15/03/23 | X.XX ±0.25 | | | | | | | | | | | | | | | | | | | | | | |
| | | X.XXX ±0.15 | | | | | | | | | | | | | | | | | | | | | | |
| | | | | | | | | | | | | | | | | | | | | | | | | |
| | | | | | | | | | | | | | | | | | | | | | | | | |
| | | | | | | | | | | | | | | | | | | | | | | | | |



| | | |
|--------------|----------------|------------------|
| Not to Scale | Drawn By CC | Sheet No. 2/2 |
|--------------|----------------|------------------|