



Electrical Double Layer Capacitor

ELNA

ED-2203e-2

DYNACAP DVS-series For Re-flow Soldering

Features

- Size: $\Phi 12.5 \times 8.5$ mm, compatible with surface mounting and low ESR.
- High temperature tolerant (-25 to +85°C) and highly reliable.
- Unlike batteries, safe and high reliability without containing active and hazardous substances.
- Unlike batteries, excellent charge and discharge characteristics with no chemical reactions.
- Responds to temperature 260 °C during the reflow peak.

Appearance sample



Applications

Memory backup for RTC and the others ,instantaneous power assist for batteries

Specifications

Product Name	DVS-3R6DOOOT□-R□□			
Max. operating voltage (V)	3.6V.DC			
Rated Capacitance (F)	0.047F	0.1F	0.22F	0.33F
Internal resistance (Ω) at 1 kHz	30 Ω			
Size $\Phi D \times L$ (mm)	$\Phi 12.5 \times 8.5$ mm			
Category temperature range (°C)	-25 ~ +85°C			
Weight (g)	3.1g			

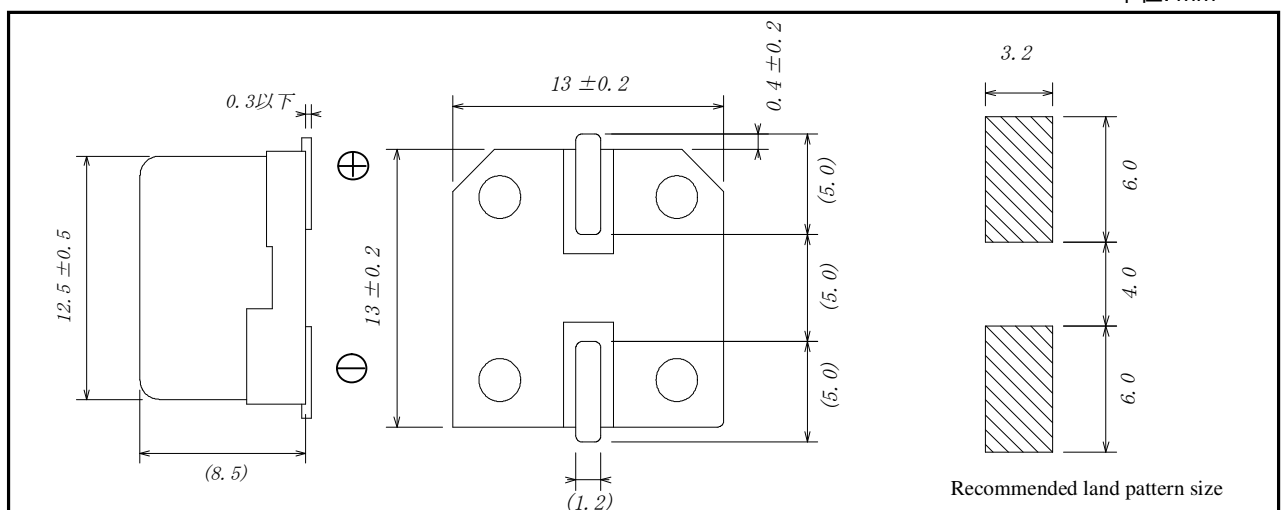
Reference,

○=Rated capacitance symbol
 0.047F→473
 0.1F →104
 0.22F →224
 0.33F →334

□=Additional symbol

Dimensions

単位: mm



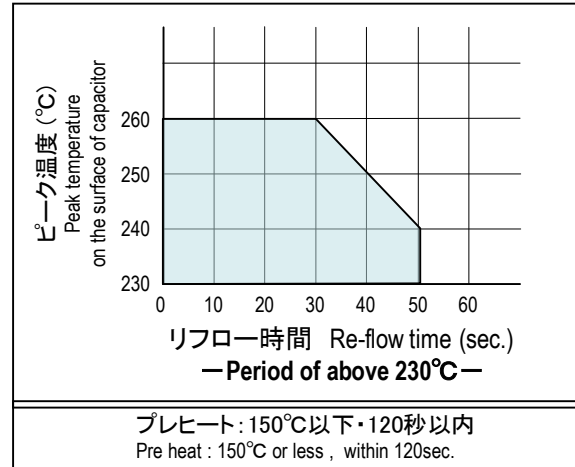
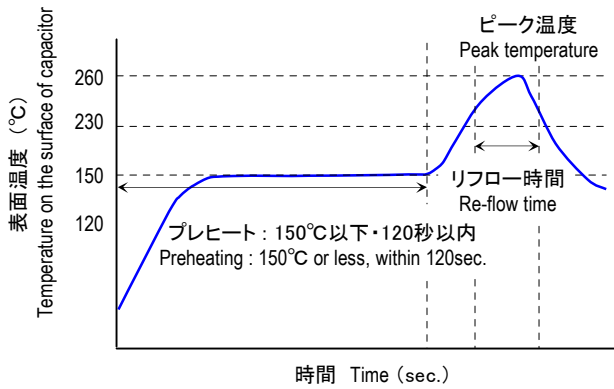
NOTE: Design, Specification are subject to change without notice.

ELNA CO.,LTD.<http://www.elna.co.jp/>**ELNA CO., LTD.**

3-8-11 Shin-yokohama,kouhoku-ku,yokohama-city,kanagawa,222-0033 JAPAN
 TEL. +81-45-470-7254 FAX. +81-45-470-7260



Recommended re-flow conditions



Attention : リフローは上記範囲内で、可能な限り低温・短時間にて行ってください。

Recommend reflow work at lower temperature in shorter time from the above condition.

0.3V以上の電圧が保持された状態でのリフローはお避け下さい。

Do not reflow solder when cell voltage remains 0.3V and above.

ご注文の際は、納入仕様書等をご要求下さい。

Please refer to the specification sheet upon ordering.