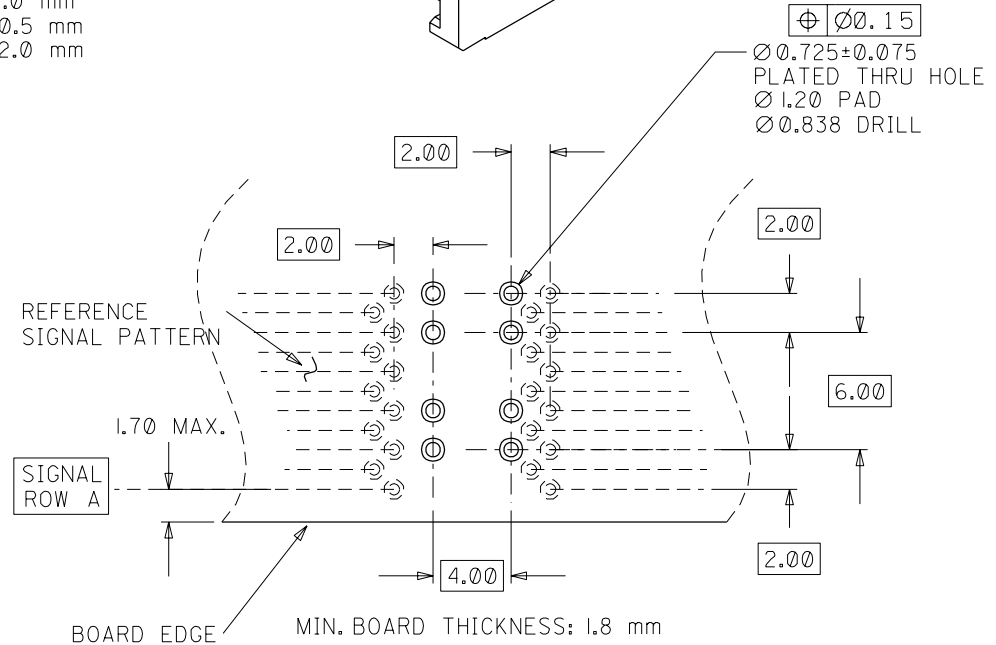
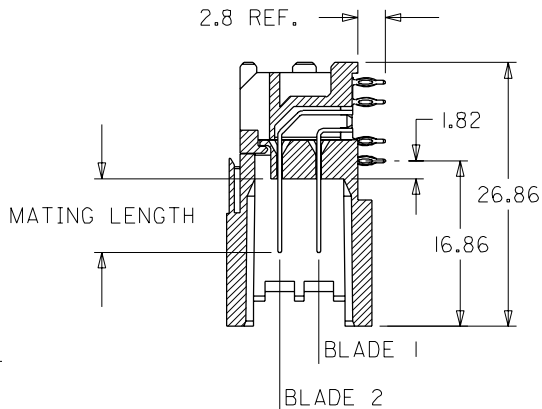
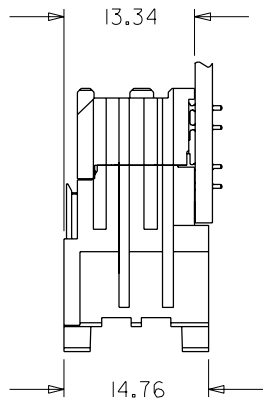
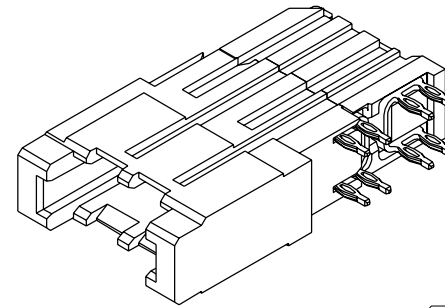
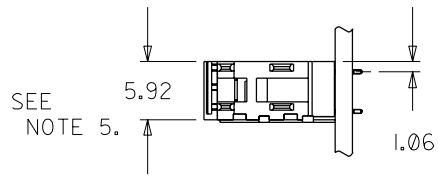


# MATERIAL NUMBER ASSIGNMENT

74026 - 6 \* \* 0 SEE NOTE 2. & 3.

BLADE 1		BLADE 2	
MATING LENGTH		MATING LENGTH	
1	= 7.5 mm	1	= 7.5 mm
2	= 9.0 mm	2	= 9.0 mm
3	= 10.5 mm	3	= 10.5 mm
4	= 12.0 mm	4	= 12.0 mm
6	= 7.5 mm	6	= 7.5 mm
7	= 9.0 mm	7	= 9.0 mm
8	= 10.5 mm	8	= 10.5 mm
9	= 12.0 mm	9	= 12.0 mm



**NOTES:**

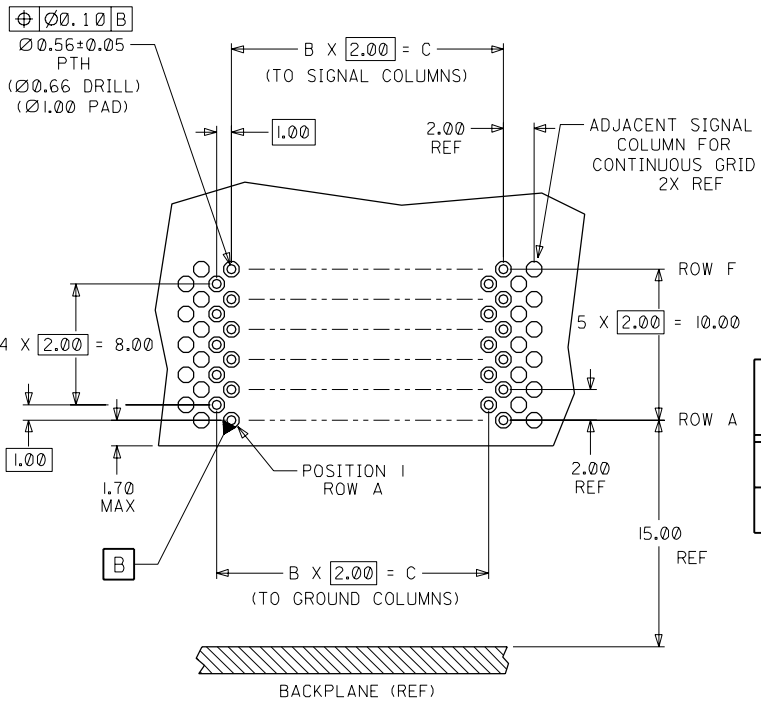
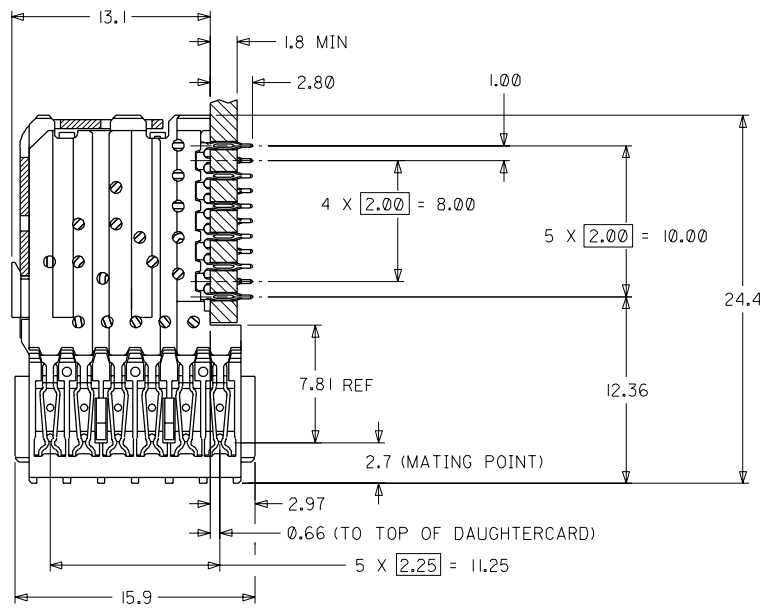
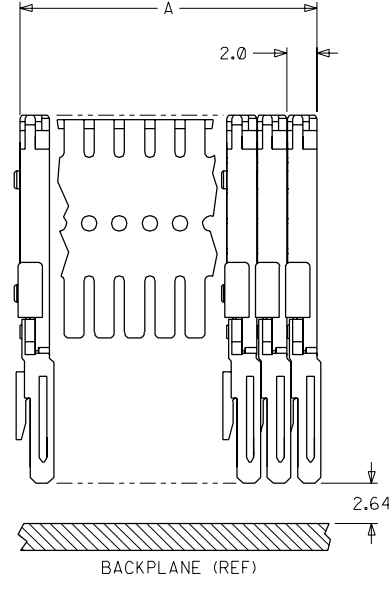
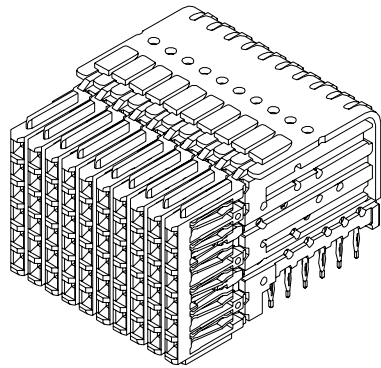
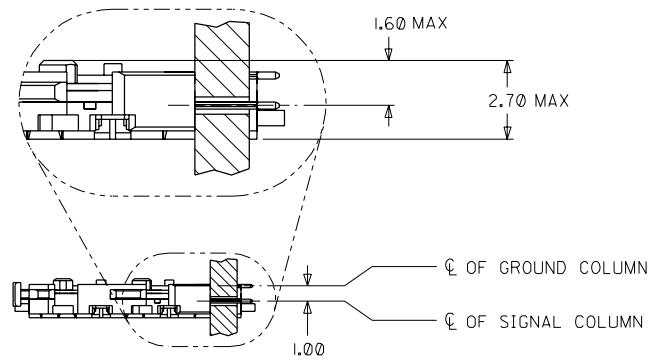
- MATERIALS:**  
HOUSING - LIQUID CRYSTAL POLYMER (LCP)  
UL94 V-0 RATED, COLOR: BLACK  
TERMINAL - COPPER ALLOY
- FINISH:** SELECT GOLD ON MATING SURFACE, 30 microINCH THICK; TIN/LEAD ON TAILS; NICKEL OVERALL.  
(WHEN \* = 1, 2, 3, OR 4)
- FINISH:** SELECT GOLD ON MATING SURFACE, 50 microINCH THICK; TIN/LEAD ON TAILS; NICKEL OVERALL.  
(WHEN \* = 6, 7, 8, OR 9)
- THIS PART CONFORMS TO PRODUCT SPECIFICATION PS-74031-999.
- PART SHOWN IS 74026-6110.
- USE 6.00 mm NOMINAL FOR DAUGHTERCARD LAYOUT.

ADD 50 GOLD P/N EC NO. UDT200-1-1333 DRWN: ELO 01/05/25 CHK: ELO 01/05/25 APPR: BIXLER 01/05/20	QUALITY SYMBOLS MAJOR $\nabla = 0$ CRITICAL $\nabla C = 0$	GENERAL TOLERANCES: (UNLESS SPECIFIED)		SCALE NONE	DESIGN UNITS <input checked="" type="checkbox"/> mm <input type="checkbox"/> INCH	DIMENSIONS:		SHT	REV		
		mm	INCH	DRAWN BY & DATE ELO 98/10/15	THIRD ANGLE PROJECTION		REVISION ON CAD ONLY				
		4 PLACES ±0.	±.	CHECKED BY & DATE BREARLEY 98/10/21	TITLE: VHDM POWER 6 ROW DAUGHTERCARD SALES ASSEMBLY						
		3 PLACES ±0.	±.	APPROVED BY & DATE BIXLER 98/10/29	MOLEX INCORPORATED						
2 PLACES ±0.	±.	CAD FILENAME SD-74026-001.S01	MATERIAL NO. SEE CHART		DRAWING NO. SD-74026-001		SHEET NO. 1 OF 1				
1 PLACE ±0.	±.	ANGLAR: ± 5 °		DRAFT WHERE APPLICABLE MUST REMAIN WITHIN DIMENSIONS		THIS DRAWING CONTAINS INFORMATION THAT IS PROPRIETARY TO MOLEX INCORPORATED AND SHOULD NOT BE USED WITHOUT WRITTEN PERMISSION.					
D	REV							SIZE B			

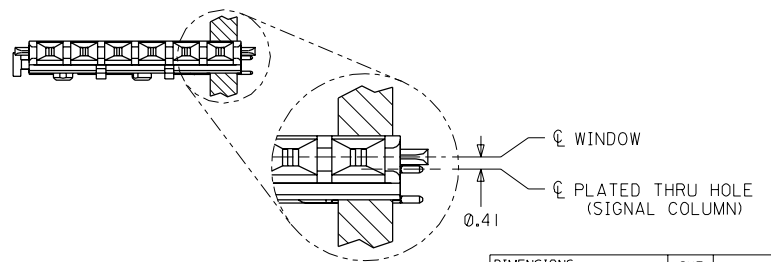
NOTES: (UNLESS OTHERWISE SPECIFIED)

1. MATERIALS: HOUSING - LIQUID CRYSTAL POLYMER (LCP), GLASS-FILLED, UL94V-0. TERMINALS - HIGH PERFORMANCE COPPER ALLOY.
2. FINISH: SELECTIVE GOLD (Au) IN CONTACT AREA, SELECTIVE TIN/LEAD (Sn/Pb) ON PCB TAILS, NICKEL (Ni) OVERALL.
3. REFER TO MOLEX PRODUCT SPECIFICATION PS-74031-999 FOR PERFORMANCE SPECIFICATIONS.
4. SIGNAL WAFERS SUPPLIED ON STAINLESS STEEL STIFFENER IN GROUPS OF 10 OR 25 ONLY.

MATERIAL NUMBER	MINIMUM GOLD PLATING	WAFER PLASTIC COLOR
74031-0001	0.00076mm (30uIN)	BLACK
74031-0051	0.00127mm (50uIN)	GRAY



NUMBER OF SIGNAL WAFERS	A	B	C
10	20.0	9	18.00
25	50.0	24	48.00

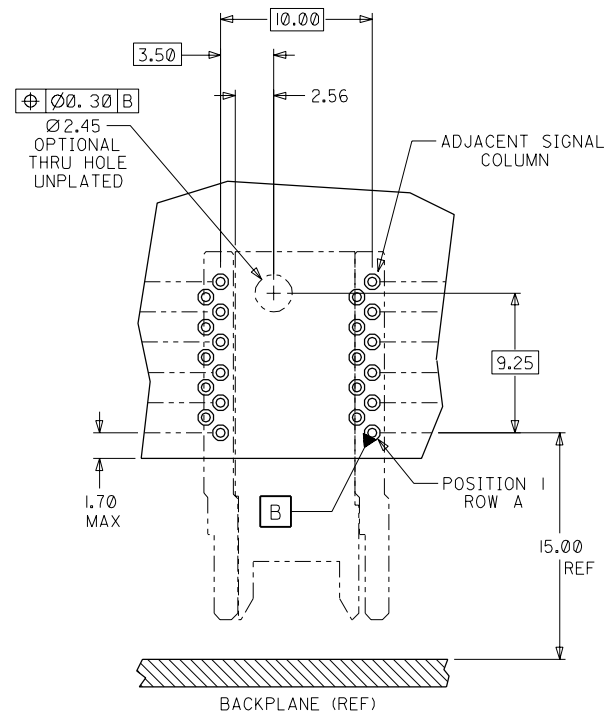
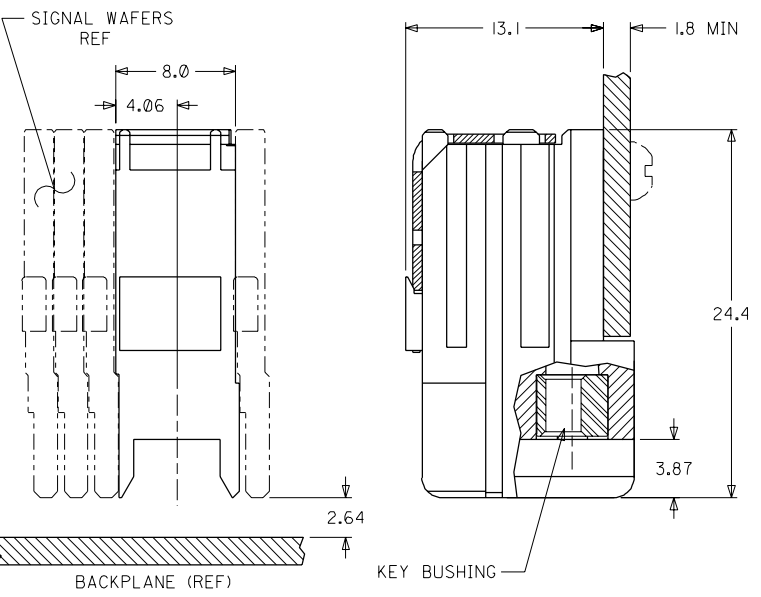
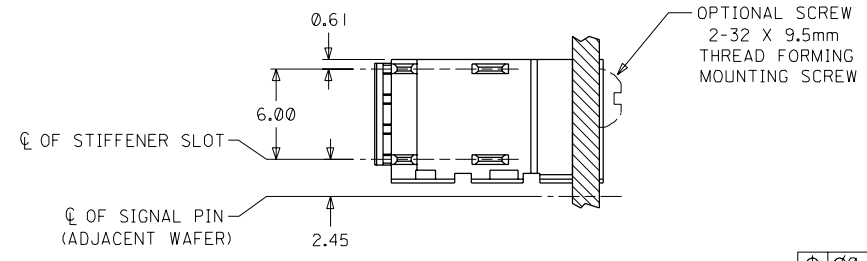


DAUGHTERCARD HOLE PATTERN (CONNECTOR SIDE)

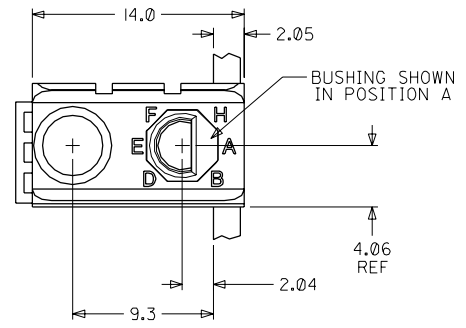
ADD -0051 PART EC NO. UDT2001-1132 DRWN: LAURX 01/04/18 CHK: MARTIN 01/04/18 APPR: BIXLER 01/04/18	QUALITY SYMBOLS MAJOR $\nabla$ CRITICAL $\nabla$	GENERAL TOLERANCES: (UNLESS SPECIFIED) mm    INCH	SCALE 4 : 1 DESIGN UNITS <input checked="" type="checkbox"/> mm <input type="checkbox"/> INCH	DIMENSIONS: <input type="checkbox"/> mm <input type="checkbox"/> INCH <input checked="" type="checkbox"/> mm ONLY	SHT    REV REVISE ON CAD ONLY	
		DRAWN BY & DATE LAURX 98/10/19	CHECKED BY & DATE MQWANG 98/10/19	APPROVED BY & DATE BIXLER 98/10/19	TITLE: VHDM DAUGHTERCARD 6 ROW SIGNAL WAFER SALES DRAWING	MOLEX MOLEX INCORPORATED
REV B	DRAFT WHERE APPLICABLE MUST REMAIN WITHIN DIMENSIONS	ANGULAR: $\pm 2^\circ$	CAD FILENAME S7403102.DGN	MATERIAL NO. SEE CHART	DRAWING NO. SD-74031-002	SIZE C

NOTES: (UNLESS OTHERWISE SPECIFIED)

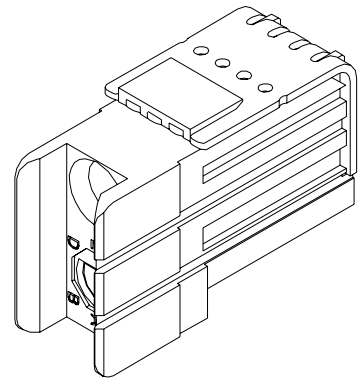
1. MATERIALS: HOUSING - LIQUID CRYSTAL POLYMER (LCP), GLASS-FILLED, UL94V-0, BLACK.  
KEY BUSHING - STAINLESS STEEL.
2. FINISH: NONE.
3. REFER TO MOLEX PRODUCT SPECIFICATION PS-74031-999 FOR PERFORMANCE SPECIFICATIONS.



DAUGHTERCARD HOLE PATTERN (CONNECTOR SIDE)



MATERIAL NUMBER	BUSHING CLOCK POSITION	
74037-0006	NONE	
74037-6001	A	
74037-6002	B	
74037-6003	C	
74037-6004	D	
74037-6005	E	
74037-6006	F	
74037-6007	G	
74037-6008	H	



INITIAL RELEASE EC NO. UDT 1999-00291 DRWN: LAURX 98/10/19 CHK: MQWANG 98/10/19 APPR: BIXLER 98/10/19	QUALITY SYMBOLS MAJOR CRITICAL	GENERAL TOLERANCES: (UNLESS SPECIFIED)		SCALE 4 : 1	DESIGN UNITS <input checked="" type="checkbox"/> mm <input type="checkbox"/> INCH	DIMENSIONS: <input type="checkbox"/> SHT <input type="checkbox"/> REV	
		mm	INCH	DRAWN BY & DATE LAURX 98/10/19		THIRD ANGLE PROJECTION <input type="checkbox"/> mm <input type="checkbox"/> INCH <input checked="" type="checkbox"/> mm ONLY	
		4 PLACES ±0. -- ±. --	3 PLACES ±0. -- ±. --	CHECKED BY & DATE MQWANG 98/10/19		TITLE: VHDM DAUGHTERCARD 6 ROW GUIDE MODULE SALES DRAWING	
		2 PLACES ±0.13 ±. --	1 PLACE ±0.25 ±. --	APPROVED BY & DATE BIXLER 98/10/19		MATERIAL NO. SEE CHART	
		ANGULAR: ± 2°		CAD FILENAME S7403705.DGN	DRAWING NO. SD-74037-005	SHEET NO. 1 OF 1	
A	REV	DRAFT WHERE APPLICABLE MUST REMAIN WITHIN DIMENSIONS		THIS DRAWING CONTAINS INFORMATION THAT IS PROPRIETARY TO MOLEX INCORPORATED AND SHOULD NOT BE USED WITHOUT WRITTEN PERMISSION.			