

SPECIFICATIONS

(RoHS Compliant)

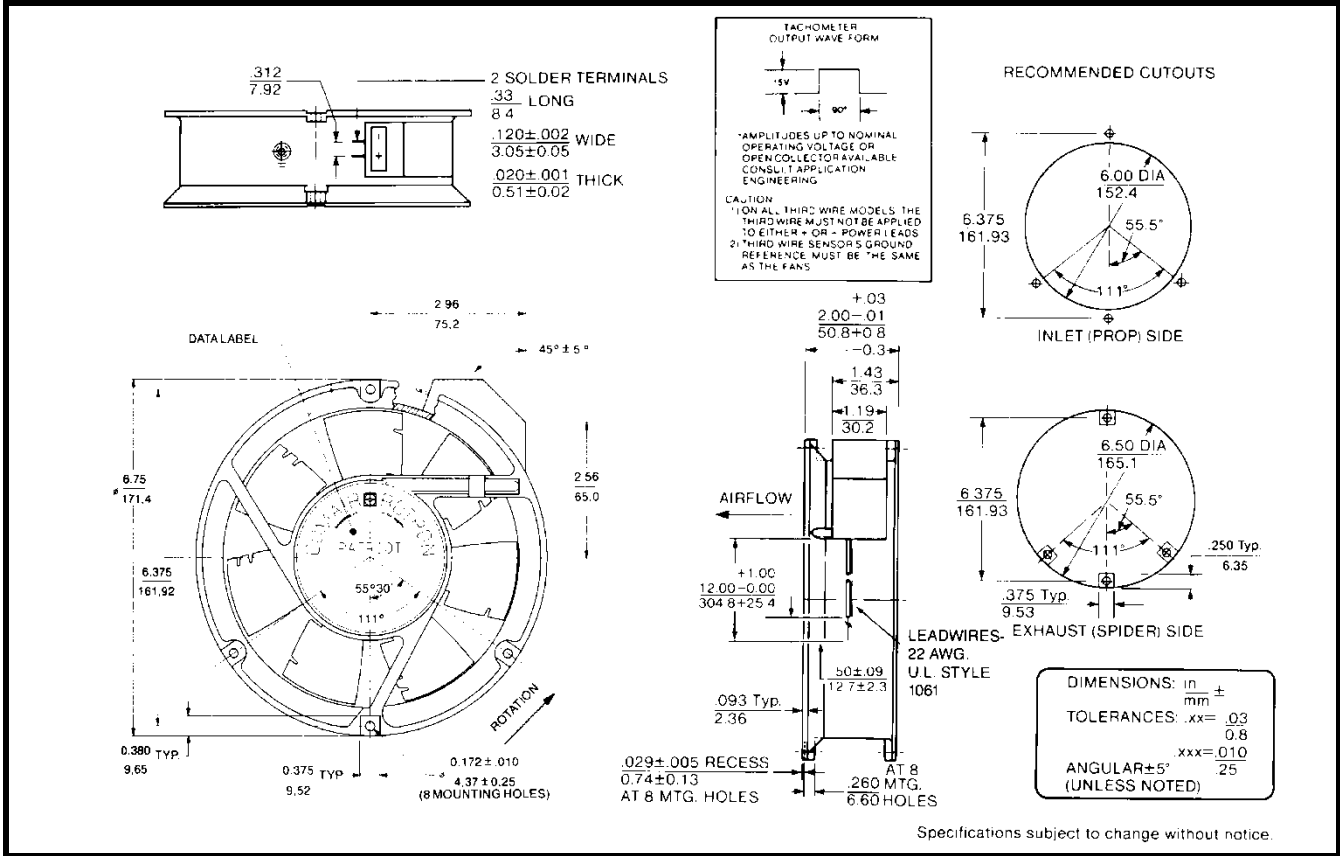


Model Number: PQ24B4

Part Number: 19031084A

December 15, 2004

Mechanical Drawing:



Motor:

| | |
|-------------------------|---------------|
| Nominal Voltage | = 24 vdc |
| Operating Voltage Range | = 12 - 28 vdc |
| Nominal Running Current | = 1.00 amps |
| Locked Rotor Current | = 2.00 amps |
| Running Power | = 24 watts |
| Average Speed | = 3500 RPM |
| Bearings | = Ball |
| Air Flow | = 235 CFM |
| Acoustic | = 51.2 dBA |

Construction:

Venturi: Single Piece, Die-Cast Aluminum, Black
 Propeller: Plastic, Black, UL 94V-0

Life Expectancy:

This fan is designed for continuous duty life of 75,000 hours at 40°C.

Additional Features:

| | |
|------------------------------|---------------|
| Brushless DC Motor | |
| Polarity Protected | |
| Locked Rotor Protection | |
| Automatic Restart Capability | |
| Operating Temperature: | -10°C to 70°C |
| Storage Temperature: | -40°C to 85°C |

Termination:

0.110" Terminals (2)

Agency Approvals:

UL, CE