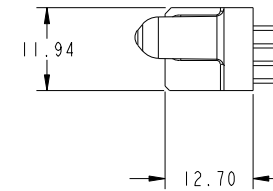
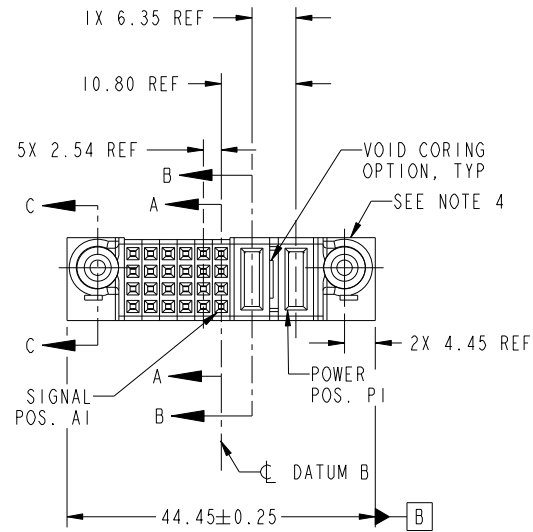


Tous droits strictement reserves. Reproduction ou communication a des tiers interdite sous quelque forme que ce soit sans autorisation écrite du propriétaire. Propriete de c FCI. Droits de reproduction FCI.



All rights strictly reserved. Reproduction or issue to third parties in any form whatever is not permitted without written authority from the proprietor. Property of FCI. Copyright FCI.

PRODUCT NO.	ROWS	SIGNAL					POWER		E1	
		E2	6	5	4	3	2	1		P2
51940-234- NOTE: 3	D C B A		EEEEEE	EEEEEE	EEEEEE	EEEEEE	EEEEEE	PD	PA	



CODE	DIM "M" MATING LENGTH	CONTACT TYPE
E	[N/A]	SIGNAL
PA	[1.07]	POWER
PD	[2.34]	POWER

mat'l code				SEE NOTES 2		tolerances unless otherwise specified		CUSTOMER		FCI	
ltr	ecn no.	dr	date	linear	0.X ± 0.3	projection	COPY		www.fciconnect.com		
A	DG07-0341	SH	08/23/07	angles	0.XX ± 0.13		title		2P + 24S		
				dr	0.XXX ± 0.051		product family		PwrBlade		code
				enr	0° ± 2°	scale	size		dwg no		213
				chr	Sincere He 08/23/07	1:1	A		51940-234		sheet
				appd	Gary Hsieh 08/23/07						1 of 4
					Joseph Hsia 08/23/07						
sheet index	revision sheet	A	A	A	A						
		1	2	3	4						
								cage code		22526	

1 | 2

Pro/E

3 |

cage code 22526

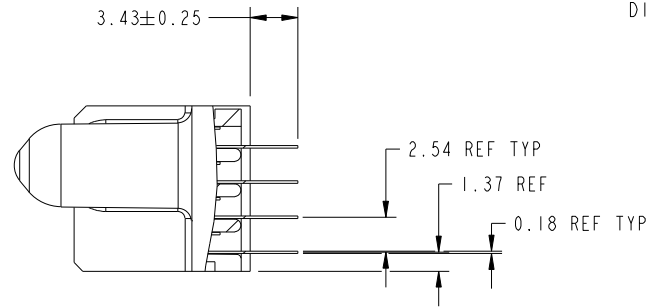
4

Tous droits strictement reserves. Reproduction ou communication a des tiers interdite sous quelque forme que ce soit sans autorisation écrite du propriétaire. Propriete de c FCI. Droits de reproduction FCI.

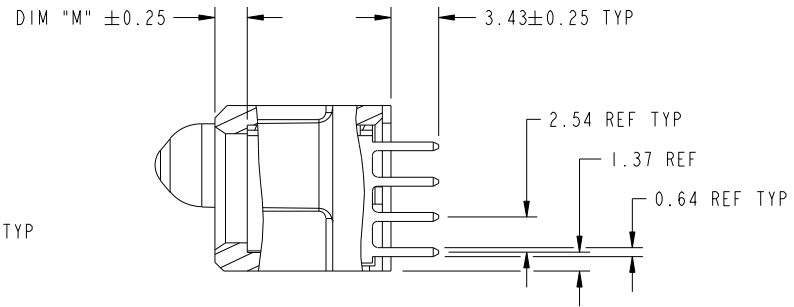


All rights strictly reserved. Reproduction or issue to third parties in any form whatever is not permitted without written authority from the proprietor. Property of FCI. Copyright FCI.

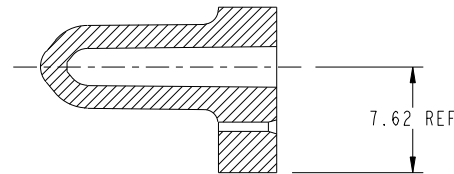
PRODUCT NUMBER
51940-234--
NOTE: 3



SECTION A-A
SCALE 2:1



SECTION B-B
SCALE 2:1



SECTION C-C
SCALE 2:1

mat'l code				SEE NOTE 2		tolerances unless otherwise specified		CUSTOMER		FCI		www.fciconnect.com			
ltr	ecn no.	dr	date	linear	0.X ±0.3		COPY		projection	title					
A					0.XX ±0.13		MIM			2P + 24S VERTICAL SOLDER RECEPT					
					0.XXX ±0.051		1:1			product family		PwrBlade		code	
				angles	0° ±2°		scale		size		dwg no		213		
				dr	Sincere He	08/23/07			A		51940-234		sheet		
				enr	Sincere He	08/23/07							2 of 4		
				chr	Gary Hsieh	08/23/07									
				appd	Joseph Hsia	08/23/07									
sheet index		revision sheet													

Pro/E

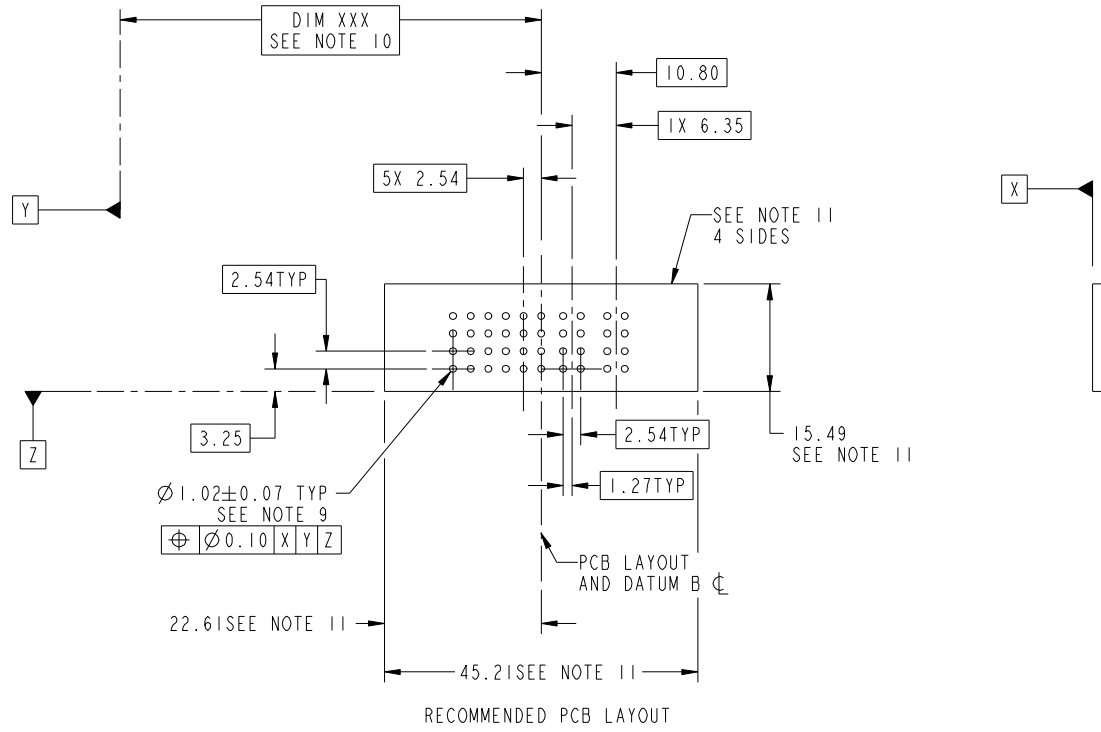
cage code 22526

Tous droits strictement reserves. Reproduction ou communication a des tiers interdite sous quelque forme que ce soit sans autorisation écrite du propriétaire. Propriete de c FCI. Droits de reproduction FCI.



All rights strictly reserved. Reproduction or issue to third parties in any form whatever is not permitted without written authority from the proprietor. Property of FCI. Copyright FCI.

PRODUCT NUMBER
51940-234--
NOTE: 3



mat'l code		SEE NOTE 2		tolerances unless otherwise specified		CUSTOMER		FCI	
ltr	ecn no.	dr	date	linear	0.X ± 0.3	COPY		www.fciconnect.com	
A					0.XX ± 0.13	projection		title	
				angles	0.XXX ± 0.051			2P + 24S VERTICAL SOLDER RECEPT	
				dr	Sincere He 08/23/07	MIM		product family PwrBlade code 213	
				enr	Sincere He 08/23/07			size dwg no 51940-234 sheet 3 of 4	
				chr	Gary Hsieh 08/23/07	scale 1:1			
				appd	Joseph Hsia 08/23/07				
sheet index	revision sheet								

Pro/E

cage code 22526

Tous droits strictement reserves. Reproduction ou communication a des tiers interdite sous quelque forme que ce soit sans autorisation écrite du propriétaire. Propriete de c FCI. Droits de reproduction FCI.



All rights strictly reserved. Reproduction or issue to third parties in any form whatever is not permitted without written authority from the proprietor. Property of FCI. Copyright FCI.

A

B

PRODUCT NUMBER
51940-234--
NOTE: 3

NOTES:

1. DIMENSIONS AND TOLERANCES ARE IN ACCORDANCE WITH ASME Y14.5M, 1994 UNLESS OTHERWISE SPECIFIED.

CONNECTOR NOTES:

2 HOUSING MATERIAL: UL 94 V-0 GLASS FILLED

HIGH-TEMP THERMOPLASTIC
POWER CONTACT MATERIAL: COPPER ALLOY
SIGNAL PIN MATERIAL: COPPER ALLOY

3. PLATING:

51940-234: SIGNAL PIN: 30u"/0.76um Au OVER 50u"/1.27um Ni ON CONTACT AREA
AND 100u"/2.54um SnPb OVER 50u"/1.27um Ni ON PCB INTERFACE
POWER PIN: 30u"/0.76um Au OVER 50u"/1.27um Ni ON CONTACT AREA
AND 100u"/2.54um SnPb OVER 50u"/1.27um Ni ON PCB INTERFACE

51940-234LF: SIGNAL PIN: 30u"/0.76um Au OVER 50u"/1.27um Ni ON CONTACT AREA
AND 78u"/2.00um Sn OVER 50u"/1.27um Ni ON PCB INTERFACE
POWER PIN: 30u"/0.76um Au OVER 50u"/1.27um Ni ON CONTACT AREA
AND 78u"/2.00um Sn OVER 50u"/1.27um Ni ON PCB INTERFACE

PART NUMBER 51940-234LF MEETS EUROPEAN UNION DIRECTIVE AND OTHER COUNTRY REGULATIONS AS DESCRIBED IN GS-22-008.

THE HOUSING WILL WITHSTAND EXPOSURE TO 260° PEAK TEMPERATURE FOR 10 SECONDS IN A WAVE SOLDER APPLICATION WITH A CIRCUIT BOARD.

4 MANUFACTURER'S NAME, P/N, AND DATE CODE TO APPEAR ON THIS SURFACE.

5. PRODUCT SPECIFICATION GS-12-149.
APPLICATION SPECIFICATION BUS-20-067.

6. PACKAGED IN TRAYS.

PCB NOTES:

7. ALL HOLE DIAMETERS ARE FINISHED HOLE SIZE.

8 MOUNTING HOLES, WHERE APPLICABLE, ARE UNPLATED.

9 $\varnothing 1.151 \pm 0.025$ DRILLED HOLES PLATED WITH
0.008 MIN SnPb OR Sn OVER 0.03
TO 0.08 Cu PLATING TO ACHIEVE
 $\varnothing 1.02 \pm .07$ HOLE.

10 "DIM XXX" TO BE DETERMINED BY THE CUSTOMER.

11 CONNECTOR KEEP-OUT ZONE.

mat'l code				SEE NOTE 2		tolerances unless otherwise specified		CUSTOMER		FCI	
ltr	ecr no.	dr	date	linear	0.X ± 0.3		COPY		www.fciconnect.com		
A					0.XX ± 0.13		projection		title		
					0.XXX ± 0.051				2P + 24S VERTICAL SOLDER RECEPT		
				angles	0° + 2°				product family		code
				dr	Sincere He	08/23/07	scale		PwrBlade		213
				enr	Sincere He	08/23/07	1:1		size		sheet
				chr	Gary Hsieh	08/23/07	A		dwg no		4 of 4
				appd	Joseph Hsia	08/23/07			51940-234		
sheet index	revision sheet										

A

B

1 | 2

3 |

4

1 | 2

Pro/E

3 |

cage code 22526

4