

THIS DRAWING IS UNPUBLISHED. RELEASED FOR PUBLICATION
 © COPYRIGHT BY TYCO ELECTRONICS CORPORATION. ALL RIGHTS RESERVED.

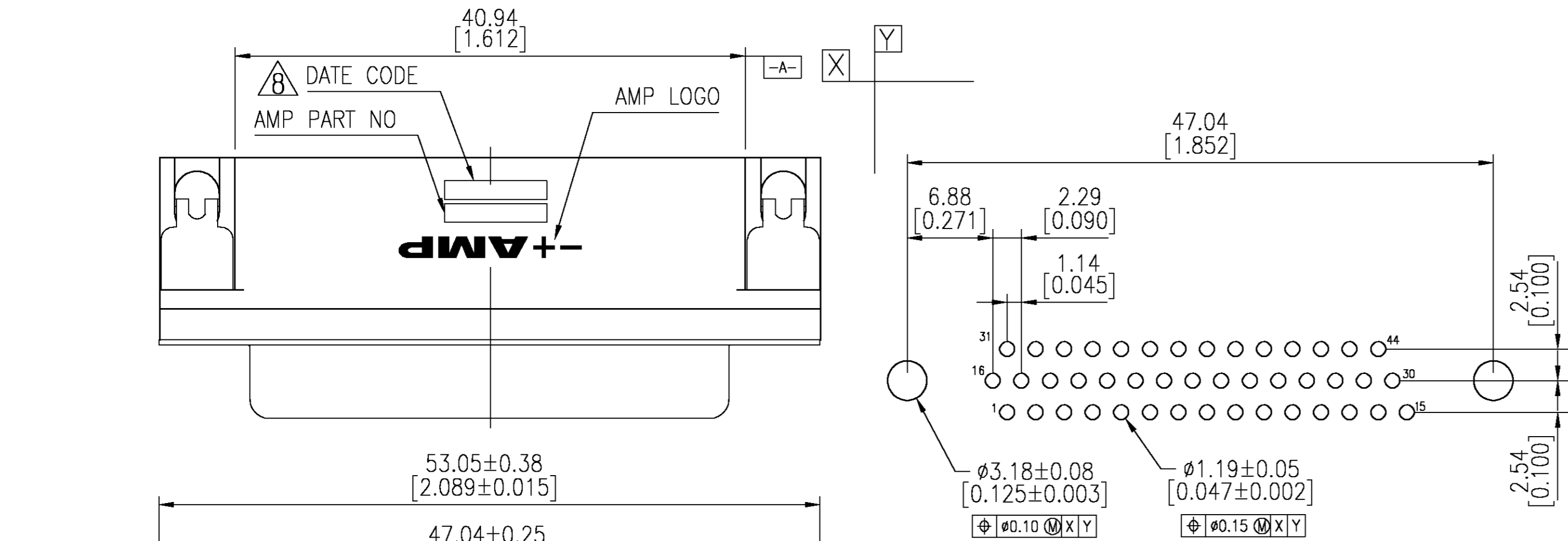
Loc		DIST		REVISIONS			
GP	00	P	LTR	DESCRIPTION	DATE	DWN	APVD
		AG		REVISED PER EC OS13-0277-03	23JUN03	JG	CC

MATERIAL:

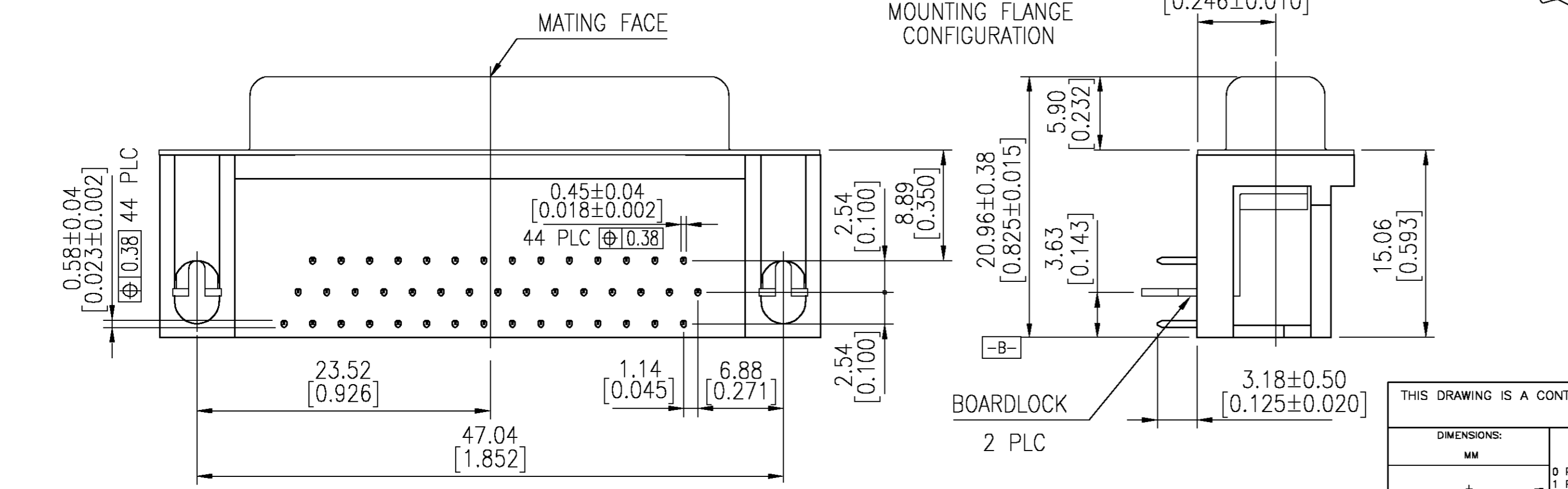
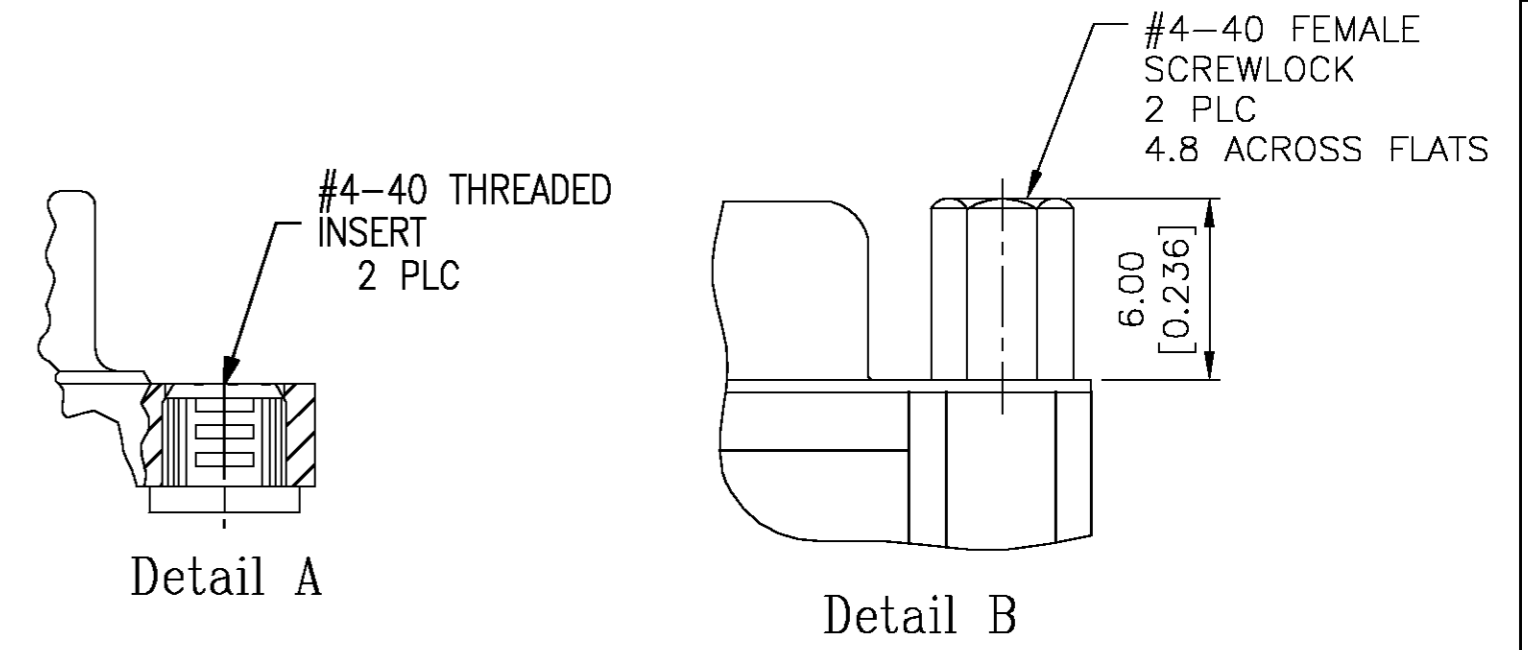
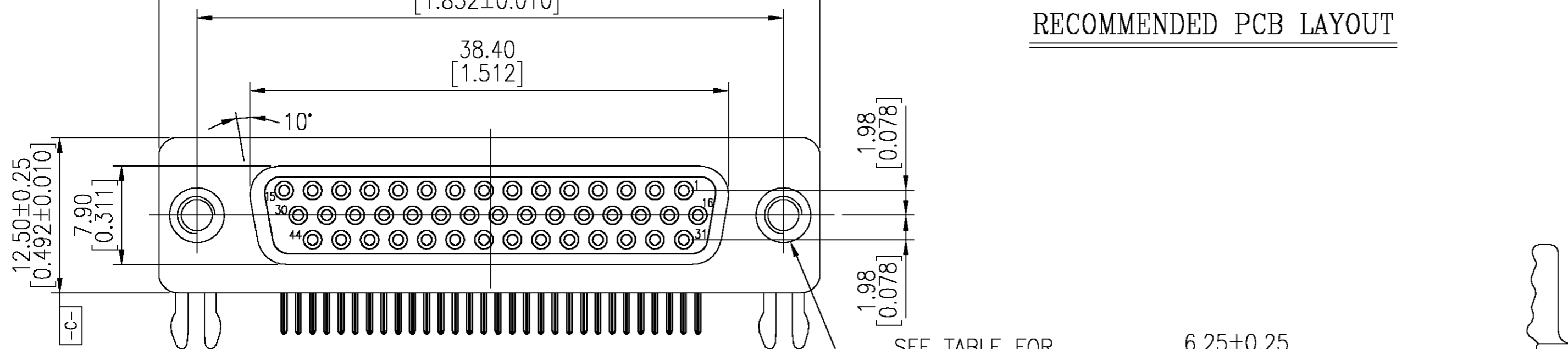
- Housing: PBT , 30 % G.F polyester, Black. (UL 94V-0 Rated)
- Contact: Phos. Bronze.
- Contact Plated: Gold Plated over 50u" Nickel underplated.
- Solder Tail: Sn/Pb Plated 120u" over 50u" Nickel underplated.
- Shell: Steel, Nickel Plated.
- Boardlocks: Brass, Tin or Sn/Pb Plated 100u".
- Screwlocks: Brass, Nickel Plated 30u".

△ Four digit date code in this format.

Year 01 45 Manufacturing Week



RECOMMENDED PCB LAYOUT



Tray	Detail B	15 μ"	2-748482-5
Tray	Detail A	Gold flash	2-748482-4
Tray	Detail A	15 μ"	2-748482-3
Tray	Detail A	30 μ"	748482-5
Packaging	Mounting Flange	Contact Finish	AMP Part NO.

THIS DRAWING IS A CONTROLLED DOCUMENT.		DWN	11JUL2002	Tyco Electronics Corporation	
DIMENSIONS: MM		CHK	11JUL2002	NAME	
TOLERANCES UNLESS OTHERWISE SPECIFIED:		APVD	11JUL2002	AMPLIMITE HD-22, 44 POSITION RECEPTACLE, RIGHT ANGLE	
0 PLC	± -	PRODUCT SPEC		SIZE	CAGE CODE
1 PLC	± 0.30	APPLICATION SPEC		A2	00779
2 PLC	± 0.20			SCALE	DRAWING NO
3 PLC	± 0.10			3:1	C=748482
4 PLC	± -			SHEET	1 OF 1
ANGLES	± 2'			REV	AG
MATERIAL	FINISH	WEIGHT		CUSTOMER DRAWING	