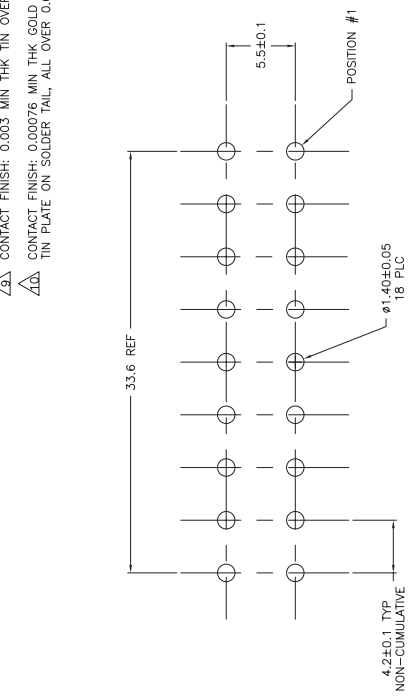
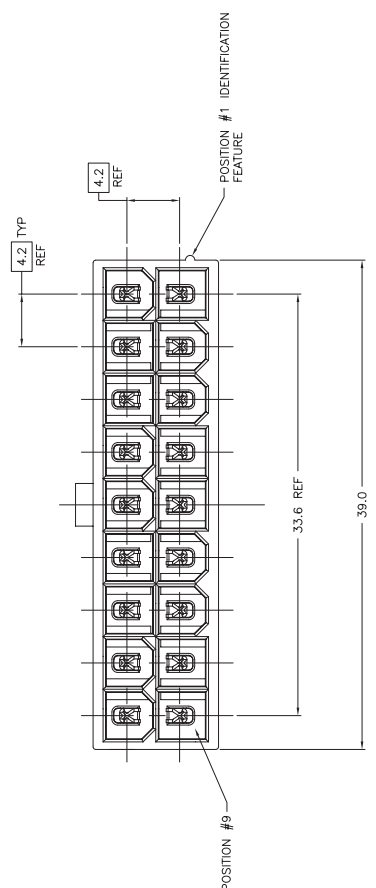
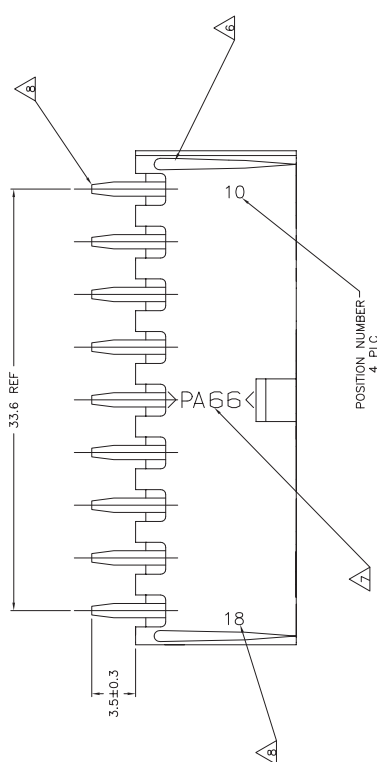
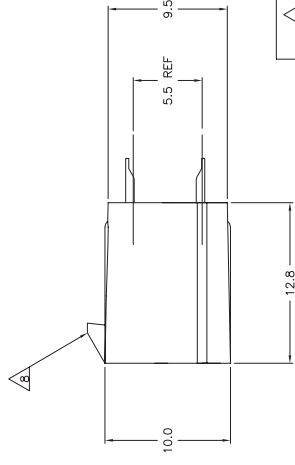


REV	DATE	BY	CHK	DESCRIPTION
1	07/04/08	HMR	CC	REVISED PER ECO-08-019423
2				
3				
4				
5				
6				
7				
8				

- 1 MATERIAL: NYLON, UL94V-2 (COLOR - NATURAL, COLOR OF PARTS MAY VARY). HOUSING: 0.25 THK COPPER ALLOY.
- 2 CONTACT FINISH: 0.003 MIN THK TIN-LEAD OVER 0.00127 MIN THK NICKEL OVER ENTIRE CONTACT.
- 3 CONTACT FINISH: 0.00076 MIN THK GOLD PLATE ON PIN MATING SURFACE, 0.003 MIN THK TIN-LEAD PLATE ON SOLDER TAIL, ALL OVER 0.00127 MIN THK NICKEL BASE PLATE.
- 4 SOLDER TAIL MEETS AMP SOLDERABILITY SPECIFICATION 109-11-2.
- 5 MATES WITH SIMILARLY PLATED AMP-DUAC™ POWER CONNECTOR RECEPTACLE HOUSINGS/SOCKET CONTACTS.
- 6 RIBS ON FOUR CORNERS OPTIONAL.
- 7 AMP LOGO AND MATERIAL ID MAY BE LOCATED ON EITHER LONG SIDE OF PART.
- 8 SIZE, SHAPE OR STYLE OF THIS FEATURE MAY VARY.
- 9 CONTACT FINISH: 0.003 MIN THK TIN OVER 0.00127 MIN THK NICKEL OVER ENTIRE CONTACT.
- 10 CONTACT FINISH: 0.00076 MIN THK GOLD PLATE ON PIN MATING SURFACE, 0.003 MIN THK TIN PLATE ON SOLDER TAIL, ALL OVER 0.00127 MIN THK NICKEL BASE PLATE



RECOMMENDED MOUNTING HOLE PATTERN FOR 1.78 MAX THICK P.C. BOARD COMPONENT SIDE SHOWN



MATERIAL	FINISH	FINISH	MATERIAL	HOUSING	COLOR	PART NO.
1	10	10	1	1	1	1-794357-2
1	9	9	1	1	1	1-794357-1
1	3	3	1	1	1	794357-2
1	2	2	1	1	1	794357-1

THIS DRAWING IS A CONTROLLED DOCUMENT.		REV	DATE	BY	CHK	DESCRIPTION
DIMENSIONS		1	07/04/08	HMR	CC	REVISED PER ECO-08-019423
MATERIAL		TYCO ELECTRONICS CORPORATION HARRISBURG, PA 17105-5005				
PART NO.		1-794357-2				
DESCRIPTION		ASSEMBLY, HEADER, VERTICAL, 18 POSITION, W/DRAIN HOLES, AMP-DUAC™				
DRAWN BY		A1 00779				
CHECKED BY		A1 00779				
APPROVED BY		A1 00779				