

NOTES:

1. METALSHELLS: STEEL; min. 315µin TIN over 40-80µin NICKEL
2. INSULATORS: PBT GF UL 94 V-0; BLACK
3. CONTACTS: COPPER ALLOY
PLATING: GOLD FLASH over NICKEL
4. PLASTIC BRACKETS: PBT GF UL 94 V-0; BLACK
5. THREADED LOCKS: COPPER ALLOY; min. 200µin TIN over 80µin NICKEL
6. FIXING-PLATE: PBT GF UL 94 V-0; BLACK
7. MAXIMUM TORQUE VALUE FOR THREAD: 6 in.LB
8. CONNECTOR IS PART MARKED: **164A19579X CONEC ABC**

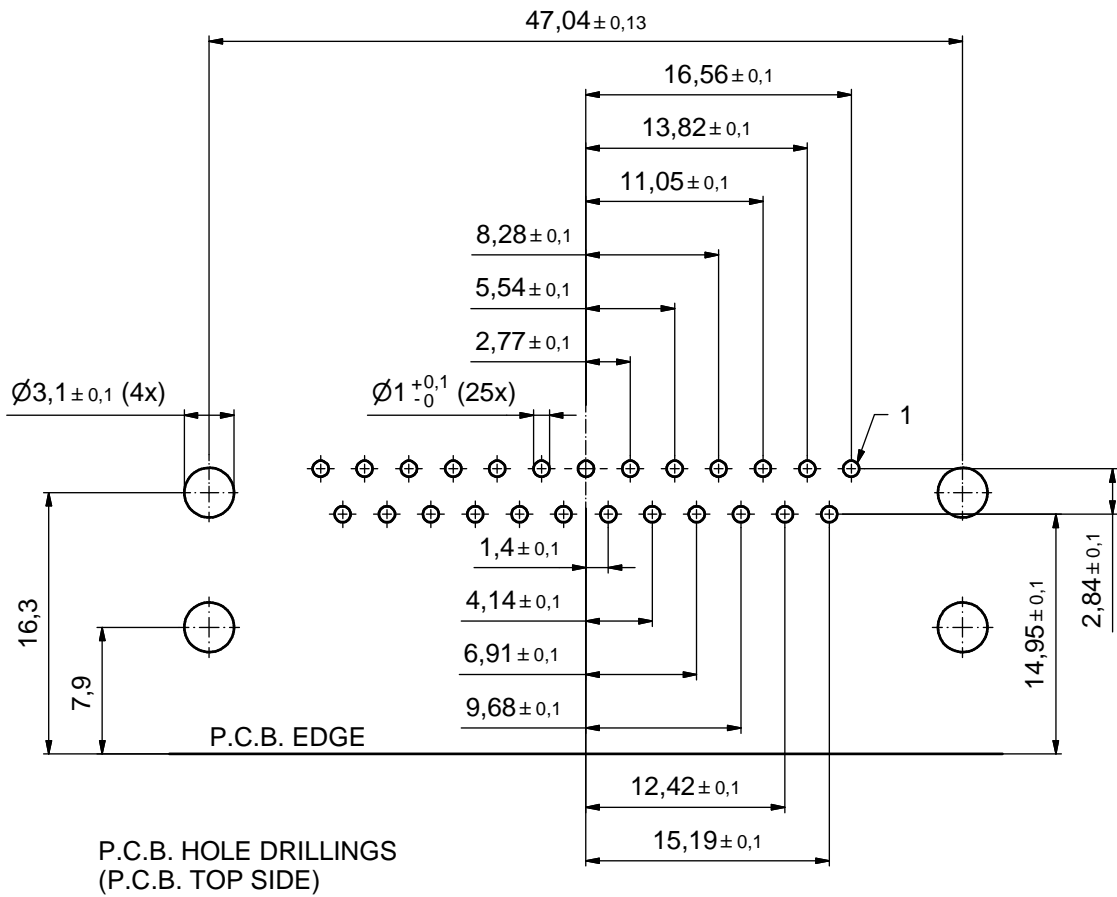
Directive 2002/95/EC RoHS compliant

THIS DRAWING MAY NOT BE COPIED OR REPRODUCED IN ANY WAY, AND MAY NOT BE PASSED ON TO A THIRD PARTY WITHOUT WRITTEN PERMISSION. OWNERSHIP AND COPYRIGHT OF CONEC GmbH

DO NOT ALTER CAD DRAWING BY HAND

tolerance			dim. in mm
date	name	drawn	01.12.10 Schmidt
		appd.	01.12.10 Fischer
		norm	
		d-old	
a	Origin	CONEC [®]	
rev.	description		
date	name		

scale:	2:1 (5:1)	
material:	see notes	
title:	D-SUB FEMALE 90° 25pos. SOLDER PIN ANGLED 0.590inch threaded lock, plastic bracket, fixing plate	
dwg no:	16K1A2729	DIN-A3 sh: 1
part no:	164A19579X	



THIS DRAWING MAY NOT BE COPIED OR REPRODUCED IN ANY WAY, AND MAY NOT BE PASSED ON TO A THIRD PARTY WITHOUT WRITTEN PERMISSION. OWNERSHIP AND COPYRIGHT OF CONEC GmbH DO NOT ALTER CAD DRAWING BY HAND					tolerance	 dim. in mm	scale: 3:1	
					date		name	material: see sheet 1
					drawn	01.12.10	Schmidt	title: P.C.B. HOLE DRILLINGS 25pos. SOLDER PIN ANGLED 0.590inch threaded lock, plastic bracket, fixing plate
					appd.	01.12.10	Fischer	
					norm			
					d-old			
	a	Origin					dwg no: 16K1A2729	DIN-A3
rev.	description	date	name				sh: 2	
							part no: see sheet 1	