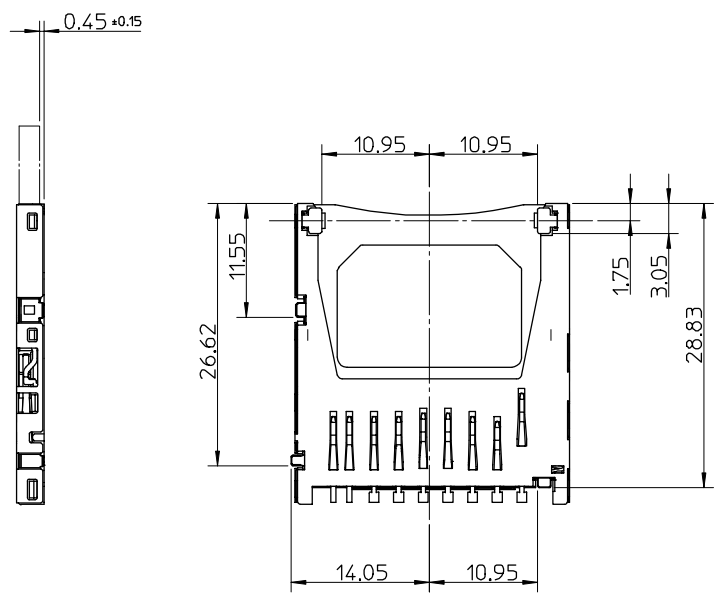
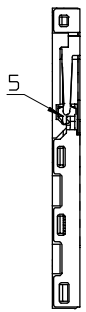
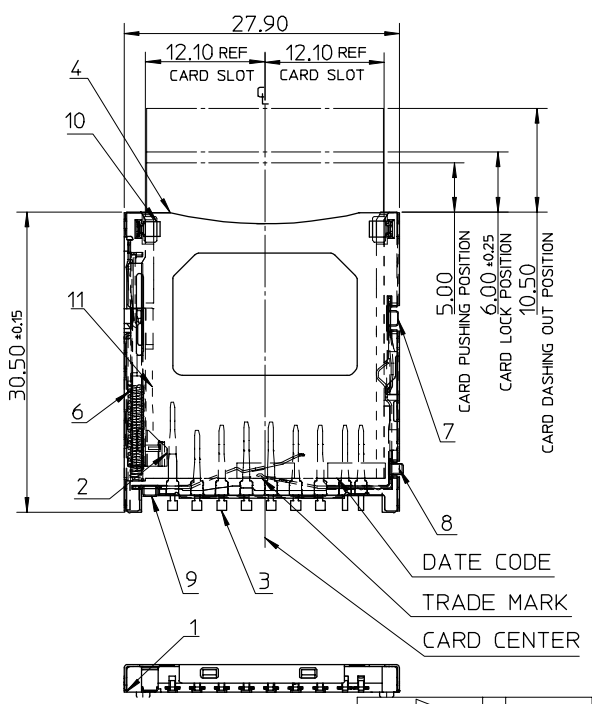
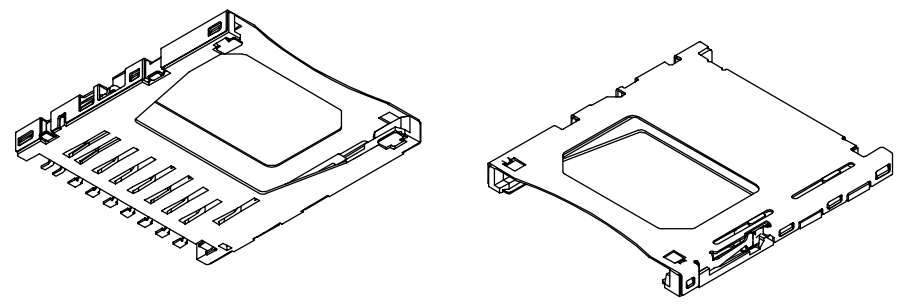
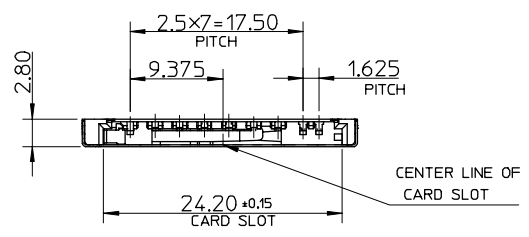


10 9 8 7 6 5 4 3 2 1

F  
E  
D  
C  
B  
A

F  
E  
D  
C  
B  
A



9 8 7 6 5 4 3 2 1

EC NO: T2002-0280	QUALITY SYMBOLS
DRWN: MCHANG 2002/12/27	▼ - 0
CHKD:	∇ - 0
APPR:	∇ - 0
REV	∇ - 0
DESCRIPTION	

GENERAL TOLERANCES (UNLESS SPECIFIED)	SCALE 2:1	DESIGN UNITS METRIC
4 PLACES ± --- ± ---	DIMENSION STYLE MM ONLY	
3 PLACES ± --- ± ---	DRAWN BY MAX	DATE 20020304
2 PLACES ± 0.25 ± ---	CHECKED BY WILSON	DATE 20020304
1 PLACE ± 0.25 ± ---	APPROVED BY ERICK	DATE 20020304
ANGULAR ± 3 °	THIS DRAWING CONTAINS INFORMATION THAT IS PROPRIETARY TO MOLEX INCORPORATED AND SHOULD NOT BE USED WITHOUT WRITTEN PERMISSION	
DRAFT WHERE APPLICABLE	MUST REMAIN WITHIN DIMENSIONS	

THIRD ANGLE PROJECTION	REVISE ON CAD ONLY
TITLE SD MEMORY CARD CONN. ASS'Y (TOP MOUNT TYPE)	
MOLEX INCORPORATED	
MATERIAL NO. 67600-0002	DOCUMENT NO. SD-67600-002
SHEET NO. SD-67600-C	A3

NOTES:

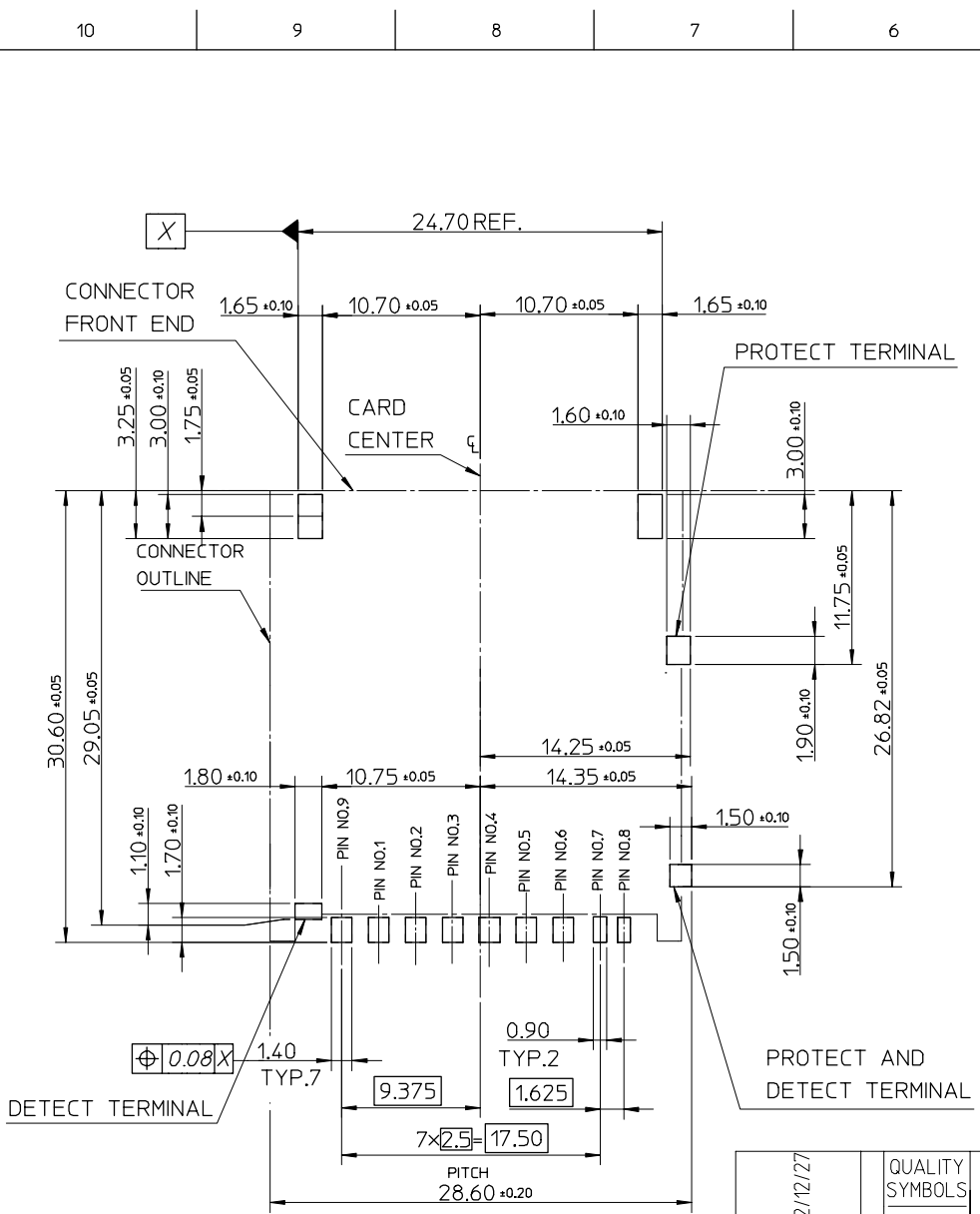
1. TERMINAL AND NAIL COPLANARITY TO BE 0.1 MAX.
2. WHEN DELIVERING, THE PUSH/PUSH MECHANISM IS IN THE STATE OF THE UNLOCK. (CARD DASHING OUT POSITION)
3. CARD READ ONLY BY THE TIME THE CARD DETECTION SWITCH WORKS.
4. OPENING AND CLOSE OF EACH SWITCH.

CARD INSERTION STATE	WRITE PROTECT SWITCH		CARD DETECT SWITCH
	WRITE PROTECT POSITION	WRITE ENABLE POSITION	
CARD UNINSERTION	OPEN	OPEN	OPEN
CARD HALF INSERTION	CLOSE	CLOSE	OPEN
CARD INSERTION	OPEN	CLOSE	CLOSE

5. EACH COMPONENT AS BELOW

NO	NAME	QT'Y	MATERIAL
1	HOUSING	1	LCP,UJL 94V-0,COLOR:BLACK
2	HEART CAM	1	LCP,UJL 94V-0,COLOR:BLACK
3	TERMINAL	9	COPPER ALLOY,SELECTIVE Au PLATING
4	METAL SHELL	1	STAINLESS STEEL
5	PIN	1	STAINLESS STEEL
6	SPRING	1	STEEL WIRE
7	PROTECT TERMINAL	1	COPPER ALLOY, SELECTIVE Au PLATING
8	PROTECT AND DETECT TERMINAL	1	COPPER ALLOY, SELECTIVE Au PLATING
9	DETECT TERMINAL	1	COPPER ALLOY, SELECTIVE Au PLATING
10	NAIL	2	COPPER ALLOY, TIN-LEAD PLATING
11	CARD LOCK	1	STAINLESS STEEL
12	SPRING	1	STEEL WIRE

6. PRODUCT SPECIFICATION : PER PS-67600-001



RECOMMENDED PCB PATTERN LAYOUT

EC NO:	2002/12/27
DRWN:	MCHANG
CHKD:	
APPR:	
REV	DESCRIPTION
1	QUALITY SYMBOLS
2	
3	

GENERAL TOLERANCES (UNLESS SPECIFIED)	
mm	INCH
4 PLACES ±---	±---
3 PLACES ±---	±---
2 PLACES ±0.25	±---
1 PLACE ±0.25	±---
ANGULAR ± 3 °	
DRAFT WHERE APPLICABLE	
MUST REMAIN WITHIN DIMENSIONS	

SCALE	3:1
DESIGN UNITS	METRIC
DIMENSION STYLE	
MM ONLY	
DRAWN BY	DATE
MAX	20020304
CHECKED BY	DATE
WILSON	20020304
APPROVED BY	DATE
ERICK	20020304

THIRD ANGLE PROJECTION	REVISE ON CAD ONLY
TITLE	
SD MEMORY CARD CONN. ASS'Y (TOP MOUNT TYPE NO PEG)	
MOLEX INCORPORATED	
MATERIAL NO.	DOCUMENT NO.
67600-0002	SD-67600-002
SHEET NO.	
2	
THIS DRAWING CONTAINS INFORMATION THAT IS PROPRIETARY TO MOLEX INCORPORATED AND SHOULD NOT BE USED WITHOUT WRITTEN PERMISSION	

A3