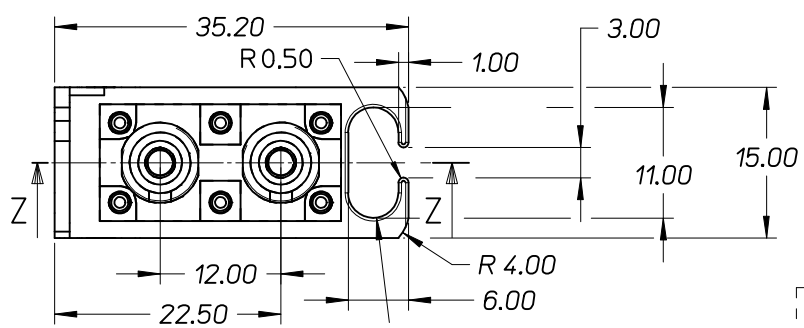
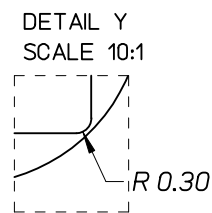


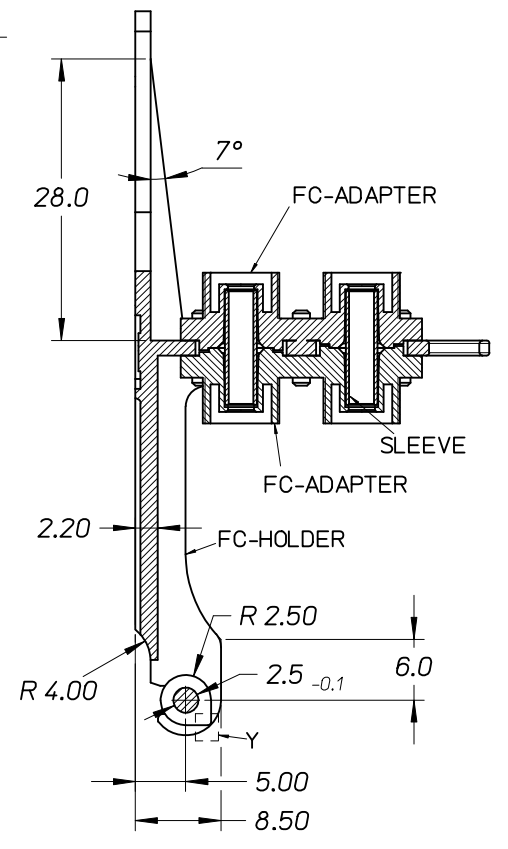
PART NO. 85337-0001
 DWG. NO. SD-85337-003



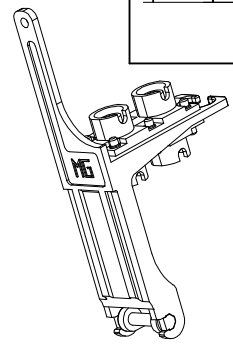
- NOTES:
 1- MATERIAL POLYESTER
 COLOR: BLACK RAL 9011
 2- PART TO BE 94V0 APPROVED BY UL
 3- PRODUCT SPECIFICATION: PS-85337-015
 4- PACKAGING SPECIFICATION: PK-85337-016



SECTION Z-Z



SCALE 1:1



EC NO. MG1999-0321 DRWN: fhermann CHK: mfasold APPR: fboardron	DESCRIPTION MAJOR CRITICAL C	QUALITY SYMBOLS	GENERAL TOLERANCES: (UNLESS SPECIFIED)		SCALE 2:1	DESIGN UNITS <input checked="" type="checkbox"/> mm <input type="checkbox"/> INCH	<input type="checkbox"/> THIRD ANGLE <input type="checkbox"/> PROJECTION	DIMENSIONS: <input type="checkbox"/> mm <input type="checkbox"/> INCH <input checked="" type="checkbox"/> mm ONLY	SHT REV		
		4 PLACES ±--- ±---	3 PLACES ±--- ±---	2 PLACES ±0.25 ±---	1 PLACE ±0.50 ±---	DRAWN BY & DATE fherman 2000/07/26	CHECKED BY & DATE MRAUCH	APPROVED BY & DATE fboardron 2000/07/26	TITLE: FC-FC ADAPTER		
		ANGULAR: ± 2°				CAD FILENAME	MATERIAL NO. 85337-0001	DRAWING NO. SD-85337-003	SHEET NO. 1 of 1		
		DRAFT WHERE APPLICABLE MUST REMAIN WITHIN DIMENSIONS				THIS DRAWING CONTAINS INFORMATION THAT IS PROPRIETARY TO MOLEX INCORPORATED AND SHOULD NOT BE USED WITHOUT WRITTEN PERMISSION.				SIZE B	