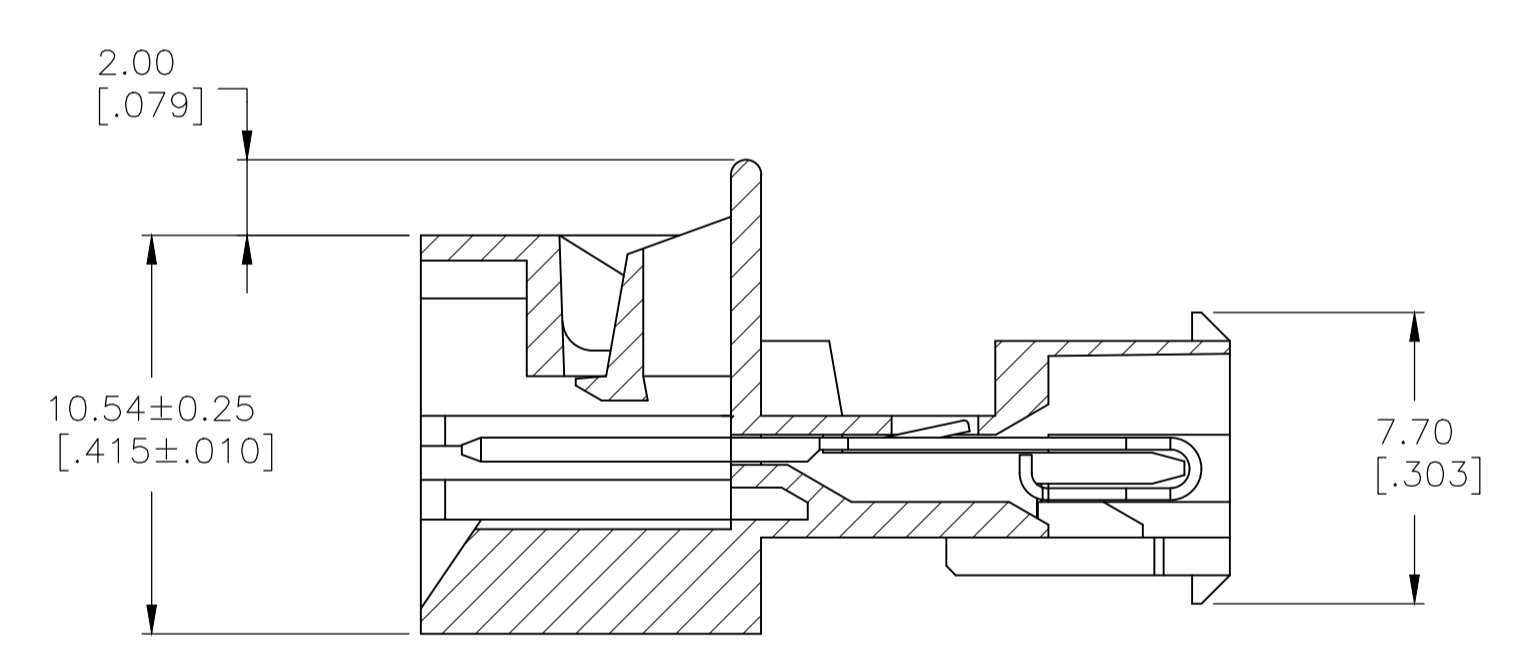
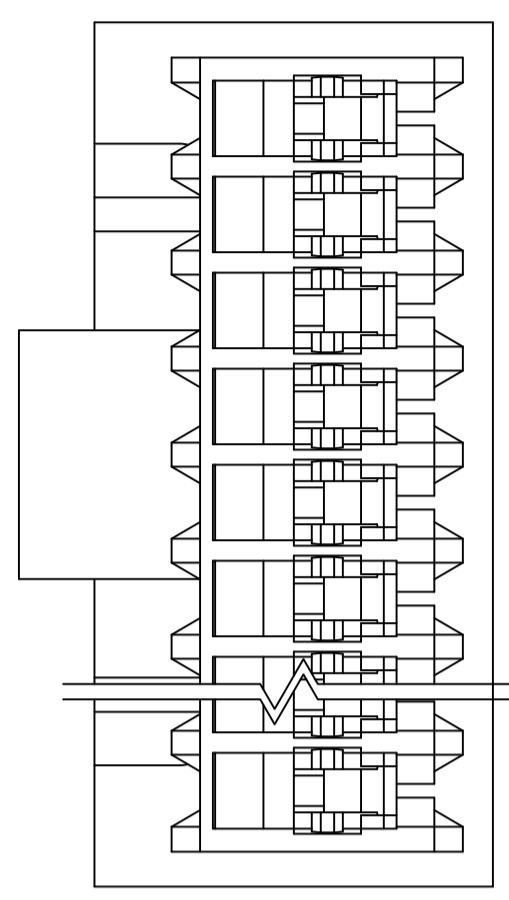
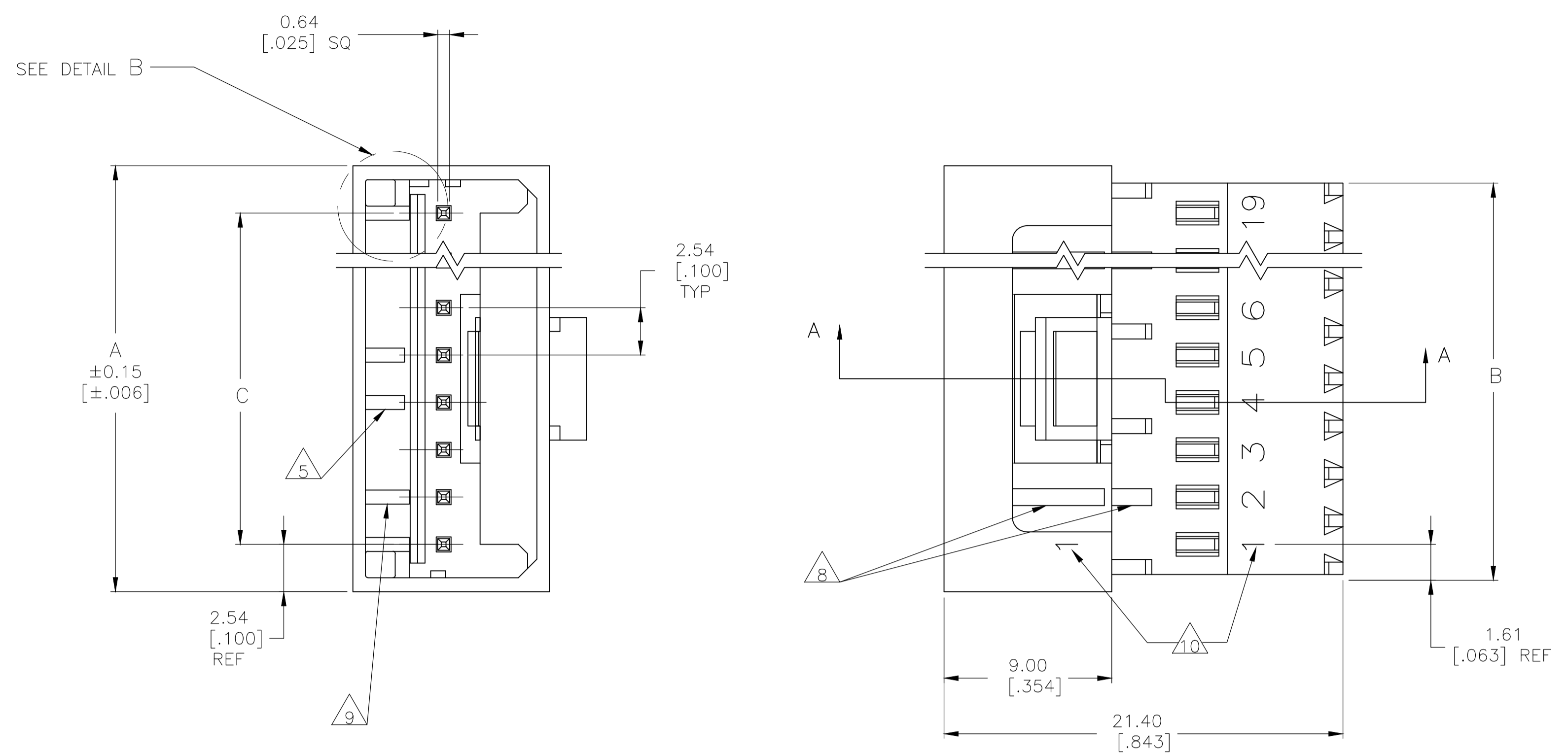
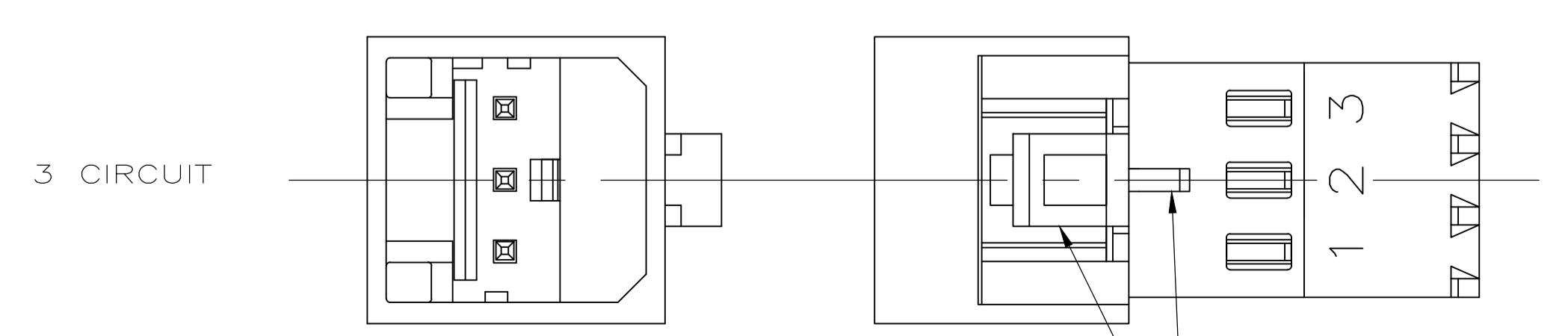
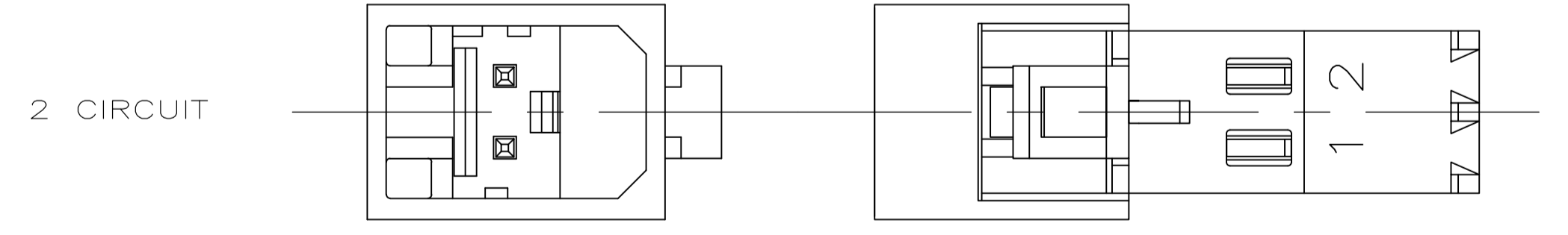


LOC		DIST		REVISIONS			
F	LTR	DESCRIPTION	DATE	DWN	APVD		
F		REVISED PER ECR-20-000808	26MAY2020	PC	SW		



SECTION A-A



DETAIL A

DETAIL B
SCALE 10:1
ALTERNATE CONFIGURATION

- 1 MATERIAL:
HOUSING- NYLON UL94V-2 (BLUE) .
CONTACTS- 0.30 [.012] THK COPPER ALLOY
PLATING : BRIGHT TIN-LEAD FOR 0.00203[.000080] MIN THK FOR 647002-2 THRU 1-647002-9 OR MATTE TIN 0.00203[.000080] MIN THK. FOR 3-647002-2 THRU 4-647002-9,
- 2 CONTACTS ACCEPT 26 AWG (0.12 - 0.15 mm²) TIN PLATED SOLID,CONCENTRIC FUSED STRANDED, OR CONCENTRIC STRANDED (7 STRANDS) WIRE WITH 1.52 [.060] MAX INSULATION DIAMETER.
- 3 MATES WITH STANDARD MTA-100 CONNECTORS: OF THE SAME CIRCUIT SIZES WITH SIMILARLY PLATED CONTACTS WITH POLARIZING TABS-CIRCUIT SIZES 4-19 ONLY WITHOUT POLARIZING TABS-CIRCUIT SIZES 2 & 3.

DOES NOT MATE WITH MTA-100 CONNECTORS: WITH POLARIZING TABS-CIRCUIT SIZES 2 & 3 ONLY. (SEE DETAIL A) WITH BLOCKED CIRCUITS -ALL CIRCUIT SIZES. NOT RECOMMENDED FOR MATING WITH MTA-100 CONNECTOR WITHOUT POLARIZING TABS. CIRCUIT SIZES 4-19.
- 4 ACCESSORIES:
REPLACEMENT IDC CONTACTS: 647032-1.
COVERS: SEE TABLE
- 5 QUANTITY OF CENTRALLY POSITIONED RAILS VARIES WITH CIRCUIT SIZE. (SEE TABLE) LOCATION MAY DIFFER FROM EXAMPLE SHOWN.
- 6 DIMENSIONS IN BRACKETS ARE IN INCHES.
- 7 SIMILAR SIZED LOCK AND SINGLE TAB USED OR CIRCUITS 4 & 5.
- 8 QUANTITY OF GUSSET RIBS VARIES WITH CIRCUIT SIZE (SEE TABLE). LOCATION MAY DIFFER FROM EXAMPLE SHOWN.
- 9 INNER END RAIL PAIR NOT PRESENT FOR CIRCUIT SIZES 2 OR 3.
- 10 CIRCUIT ID MAY APPEAR FULLY NUMBERED OR SHOWING LOCATION 1 ONLY DEPENDING ON CIRCUIT SIZE.
- 11 OBSOLETE PARTS: OBSOLETE CIS STREAMLINING PER D.RENAUD/D.SINISI
- 12 OBSOLETE PARTS

THIS DRAWING IS A CONTROLLED DOCUMENT.		DIN R. LEWIS 29--98	TE Connectivity
DIMENSIONS: mm [INCHES]		CIK R. SWING 29--98	
TOLERANCES UNLESS OTHERWISE SPECIFIED:		APVD J. ELLIS 29--98	NAME
0 PLC ± -			MTA-100 POSTED CONNECTOR ASSEMBLY, CLOSED END, 26 AWG
1 PLC ± -			PRODUCT SPEC
2 PLC ± 0.20 [.007]			APPLICATION SPEC
3 PLC ± -			SIZE
4 PLC ± -			CAGE CODE
ANGLES ± -			DRAWING NO
			A1 00779
MATERIAL	FINISH	WEIGHT	RESTRICTED TO
			647002
CUSTOMER DRAWING		SCALE 5:1	SHEET 1 OF 2

QTY OF GUSSET RIBS	QTY OF CENTRAL RAILS	MM	IN	MM	IN	MM	IN	NO. OF CIRCUITS	PART NO
4	2	45.72	1.800	48.95	1.927	50.80	2.000	19	4-647002-9
4	2	43.18	1.700	46.41	1.827	48.26	1.900	18	4-647002-8
4	2	40.64	1.600	43.86	1.727	45.72	1.800	17	4-647002-7
4	2	38.10	1.500	41.32	1.627	43.18	1.700	16	4-647002-6
4	2	35.56	1.400	38.78	1.527	40.64	1.600	15	4-647002-5
4	2	33.02	1.300	36.24	1.427	38.10	1.500	14	4-647002-4
4	2	30.48	1.200	33.70	1.327	35.56	1.400	13	4-647002-3
2	1	27.94	1.100	31.16	1.227	33.02	1.300	12	4-647002-2
2	1	25.40	1.000	28.62	1.127	30.48	1.200	11	4-647002-1
2	1	22.86	.900	26.08	1.027	27.94	1.100	10	4-647002-0
2	1	20.32	.800	23.54	.927	25.40	1.000	9	3-647002-9
2	0	17.78	.700	21.00	.827	22.86	.900	8	3-647002-8
0	0	15.24	.600	18.46	.727	20.32	.800	7	3-647002-7
0	0	12.70	.500	15.92	.627	17.78	.700	6	3-647002-6
0	0	10.16	.400	13.38	.527	15.24	.600	5	3-647002-5
0	0	7.62	.300	10.84	.427	12.70	.500	4	3-647002-4
0	0	5.08	.200	8.30	.327	10.16	.400	3	3-647002-3
0	0	2.54	.100	5.76	.227	7.62	.300	2	3-647002-2
4	2	45.72	1.800	48.95	1.927	50.80	2.000	19	1-647002-9
4	2	43.18	1.700	46.41	1.827	48.26	1.900	18	1-647002-8
4	2	40.64	1.600	43.86	1.727	45.72	1.800	17	1-647002-7
4	2	38.10	1.500	41.32	1.627	43.18	1.700	16	1-647002-6
4	2	35.56	1.400	38.78	1.527	40.64	1.600	15	1-647002-5
4	2	33.02	1.300	36.24	1.427	38.10	1.500	14	1-647002-4
4	2	30.48	1.200	33.70	1.327	35.56	1.400	13	1-647002-3
2	1	27.94	1.100	31.16	1.227	33.02	1.300	12	1-647002-2
2	1	25.40	1.000	28.62	1.127	30.48	1.200	11	1-647002-1
2	1	22.86	.900	26.08	1.027	27.94	1.100	10	1-647002-0
2	1	20.32	.800	23.54	.927	25.40	1.000	9	647002-9
2	0	17.78	.700	21.00	.827	22.86	.900	8	647002-8
0	0	15.24	.600	18.46	.727	20.32	.800	7	647002-7
0	0	12.70	.500	15.92	.627	17.78	.700	6	647002-6
0	0	10.16	.400	13.38	.527	15.24	.600	5	647002-5
0	0	7.62	.300	10.84	.427	12.70	.500	4	647002-4
0	0	5.08	.200	8.30	.327	10.16	.400	3	647002-3
0	0	2.54	.100	5.76	.227	7.62	.300	2	647002-2
		MM	IN	MM	IN	MM	IN		
		C		B		A			
		ACCESSORIES		RIBS		RAILS			

△11 SUPERCEDED
 △12 SUPERCEDED
 △13 SUPERCEDED
 △14 SUPERCEDED
 △15 SUPERCEDED
 △16 SUPERCEDED
 △17 SUPERCEDED
 △18 SUPERCEDED
 △19 SUPERCEDED
 △20 SUPERCEDED
 △21 SUPERCEDED
 △22 SUPERCEDED
 △23 SUPERCEDED
 △24 SUPERCEDED
 △25 SUPERCEDED
 △26 SUPERCEDED
 △27 SUPERCEDED
 △28 SUPERCEDED
 △29 SUPERCEDED
 △30 SUPERCEDED
 △31 SUPERCEDED
 △32 SUPERCEDED
 △33 SUPERCEDED
 △34 SUPERCEDED
 △35 SUPERCEDED
 △36 SUPERCEDED
 △37 SUPERCEDED
 △38 SUPERCEDED
 △39 SUPERCEDED
 △40 SUPERCEDED
 △41 SUPERCEDED
 △42 SUPERCEDED
 △43 SUPERCEDED
 △44 SUPERCEDED
 △45 SUPERCEDED
 △46 SUPERCEDED
 △47 SUPERCEDED
 △48 SUPERCEDED
 △49 SUPERCEDED
 △50 SUPERCEDED
 △51 SUPERCEDED
 △52 SUPERCEDED
 △53 SUPERCEDED
 △54 SUPERCEDED
 △55 SUPERCEDED
 △56 SUPERCEDED
 △57 SUPERCEDED
 △58 SUPERCEDED
 △59 SUPERCEDED
 △60 SUPERCEDED
 △61 SUPERCEDED
 △62 SUPERCEDED
 △63 SUPERCEDED
 △64 SUPERCEDED
 △65 SUPERCEDED
 △66 SUPERCEDED
 △67 SUPERCEDED
 △68 SUPERCEDED
 △69 SUPERCEDED
 △70 SUPERCEDED
 △71 SUPERCEDED
 △72 SUPERCEDED
 △73 SUPERCEDED
 △74 SUPERCEDED
 △75 SUPERCEDED
 △76 SUPERCEDED
 △77 SUPERCEDED
 △78 SUPERCEDED
 △79 SUPERCEDED
 △80 SUPERCEDED
 △81 SUPERCEDED
 △82 SUPERCEDED
 △83 SUPERCEDED
 △84 SUPERCEDED
 △85 SUPERCEDED
 △86 SUPERCEDED
 △87 SUPERCEDED
 △88 SUPERCEDED
 △89 SUPERCEDED
 △90 SUPERCEDED
 △91 SUPERCEDED
 △92 SUPERCEDED
 △93 SUPERCEDED
 △94 SUPERCEDED
 △95 SUPERCEDED
 △96 SUPERCEDED
 △97 SUPERCEDED
 △98 SUPERCEDED
 △99 SUPERCEDED
 △100 SUPERCEDED

THIS DRAWING IS A CONTROLLED DOCUMENT. DIN 9130 LEWIS 29--98
 CJK R. SWING 29--98
 J. ELLIS 29--98
 PRODUCT SPEC
 APPLICATION SPEC
 WEIGHT
 CUSTOMER DRAWING

MTA-100 POSTED CONNECTOR ASSEMBLY, CLOSED END, 26 AWG

SCALE 5:1 SHEET 2 OF 2 REV F