

NOTES, UNLESS OTHERWISE SPECIFIED:

The CT-810 Hand Operated Mechanical Crimping Tools are designed to crimp:
 - Panduit Copper compression connectors to copper code wire
 - No separate dies required
 - Connector sizes #8 through 1/0 AWG

Go to www.panduit.com for additional information.

The CT-810 Tool includes:

QTY	ITEM DESCRIPTION
1	CT-810 MANUAL CRIMPING TOOL
1	CARDBOARD SHIPPING BOX
1	USER INSTRUCTION MANUAL

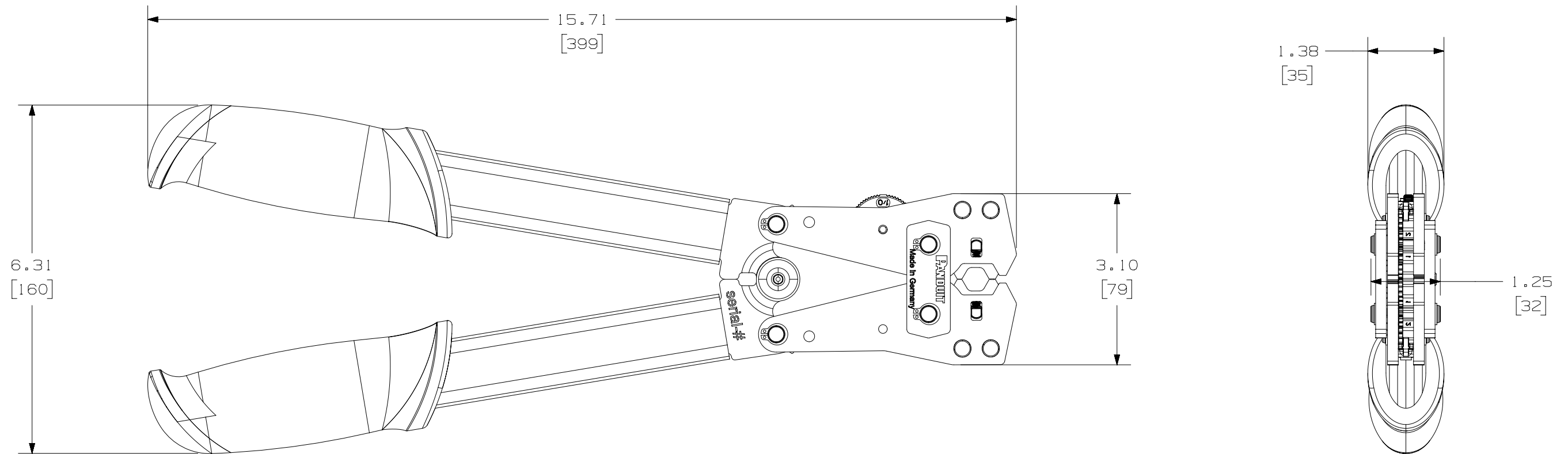
Technical information


WEIGHT	2.8 LBS [1.25 kg]
LENGTH	15.71" [399 mm]
WIDTH	6.31" [160 mm]
HEIGHT	1.38" [35 mm]

Copy of the operator manual can be found at www.panduit.com

Dimensions in [brackets] are in metric. All dimensions are for reference only.

 Tool is RoHS compliant per European Directive 2002/95/EC on the Restriction of Hazardous Substances (RoHS)



REV	DATE	BY	CHK	APR	DESCRIPTION	ECN
01	3/1/21	RUMO	BJP	ALP	 ADDED RoHS NOTE	098562
00	4/29/20	RUMO	ACC	RGB	INITIAL RELEASE	077203

TITLE		CT-810 MANUAL CRIMPING TOOL	
ITEM REVISION NAME		CUSTOMER DRAWING	
DATASET FILE NAME		00626NAA/01	
		00626NAA_DC/01	
UNLESS OTHERWISE SPECIFIED, DIMENSIONAL TOLERANCES ARE: IN [mm]		MATERIAL:	
.x ± .1 [2.54]	.xxx ± .005 [.127]	MULTIPLE MATERIALS	
.xx ± .01 [.25]	ANGLES ± 5 °	DRAWING NUMBER:	
		00626NAA_DC	
DRAWN BY	DATE	CHK	SCALE
RUMO	4/29/20	ACC	RGB
SHT 1 OF 1		SIZE	
		B	