

MATERIALS AND FINISHES:

BODY, COUPLING NUT: STAINLESS STEEL
PASSIVATED

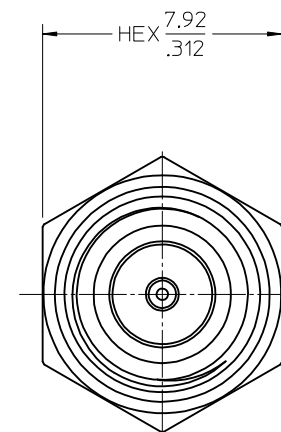
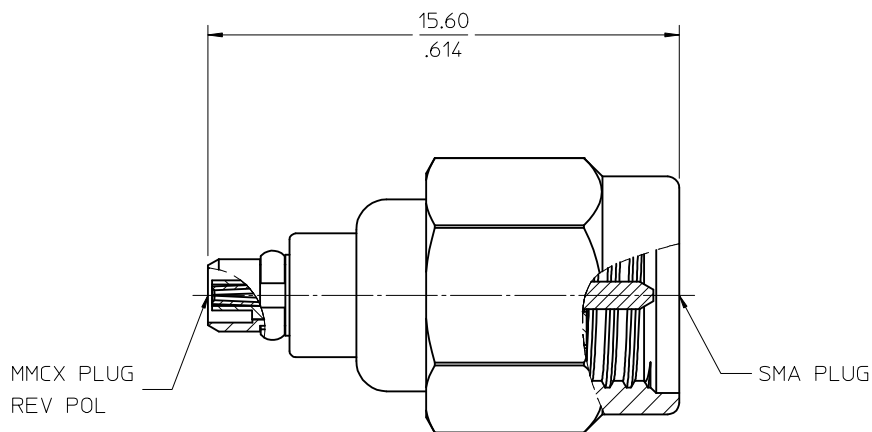
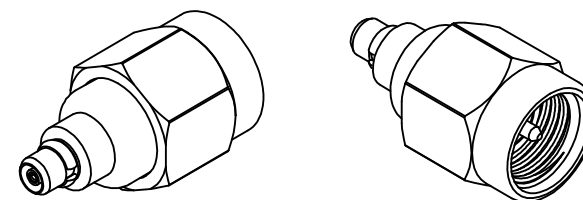
CENTER CONTACT: BERYLLIUM COPPER
PLATED GOLD

INSULATOR: TEFLON

GASKET: SILICONE RUBBER

SNAP RING: BERYLLIUM COPPER
PLATED GOLD

C RING: BERYLLIUM COPPER



73386-0320	BAG
PART NO.	PACKAGING

CHG: REGENERATED DWG PER RF15-E417 EC NO: URF2016-0449 DRAWN: YEH 2015/12/15 CHKD: YEH APPR: YCHENG 2015/12/16 REV: A1	QUALITY SYMBOLS ▽=0 ▽=0 ▽=0	GENERAL TOLERANCES (UNLESS SPECIFIED) <table border="1"> <thead> <tr> <th></th> <th>mm</th> <th>INCH</th> </tr> </thead> <tbody> <tr> <td>4 PLACES</td> <td>± .005</td> <td>± .0002</td> </tr> <tr> <td>3 PLACES</td> <td>± .005</td> <td>± .0002</td> </tr> <tr> <td>2 PLACES</td> <td>± .005</td> <td>± .0002</td> </tr> <tr> <td>1 PLACE</td> <td>± .005</td> <td>± .0002</td> </tr> <tr> <td>0 PLACE</td> <td>± .005</td> <td>± .0002</td> </tr> </tbody> </table> ANGULAR ±1/2° DRAFT WHERE APPLICABLE MUST REMAIN WITHIN DIMENSIONS		mm	INCH	4 PLACES	± .005	± .0002	3 PLACES	± .005	± .0002	2 PLACES	± .005	± .0002	1 PLACE	± .005	± .0002	0 PLACE	± .005	± .0002	DIMENSION STYLE IN/MM DRAWN BY: GH CHECKED BY: KERRIE CHEN APPROVED BY: KERRIE CHEN DATE: 2015/12/16 DATE: 2015/12/16 DATE: 2000/05/18	SCALE: 8:1 DESIGN UNITS: INCH THIRD ANGLE PROJECTION	TITLE: BSA MMCX PLUG REV POL TO SMA PLUG 50 OHMS BSA-MMCXP/SMAP molex	MATERIAL NO.: SEE TABLE DOCUMENT NO.: SD-73386-032 SHEET NO.: 1 OF 1
		mm	INCH																					
	4 PLACES	± .005	± .0002																					
	3 PLACES	± .005	± .0002																					
2 PLACES	± .005	± .0002																						
1 PLACE	± .005	± .0002																						
0 PLACE	± .005	± .0002																						
THIS DRAWING CONTAINS INFORMATION THAT IS PROPRIETARY TO MOLEX INCORPORATED AND SHOULD NOT BE USED WITHOUT WRITTEN PERMISSION																								
SIZE: C																								
THIS DRAWING CONTAINS INFORMATION THAT IS PROPRIETARY TO MOLEX INCORPORATED AND SHOULD NOT BE USED WITHOUT WRITTEN PERMISSION																								