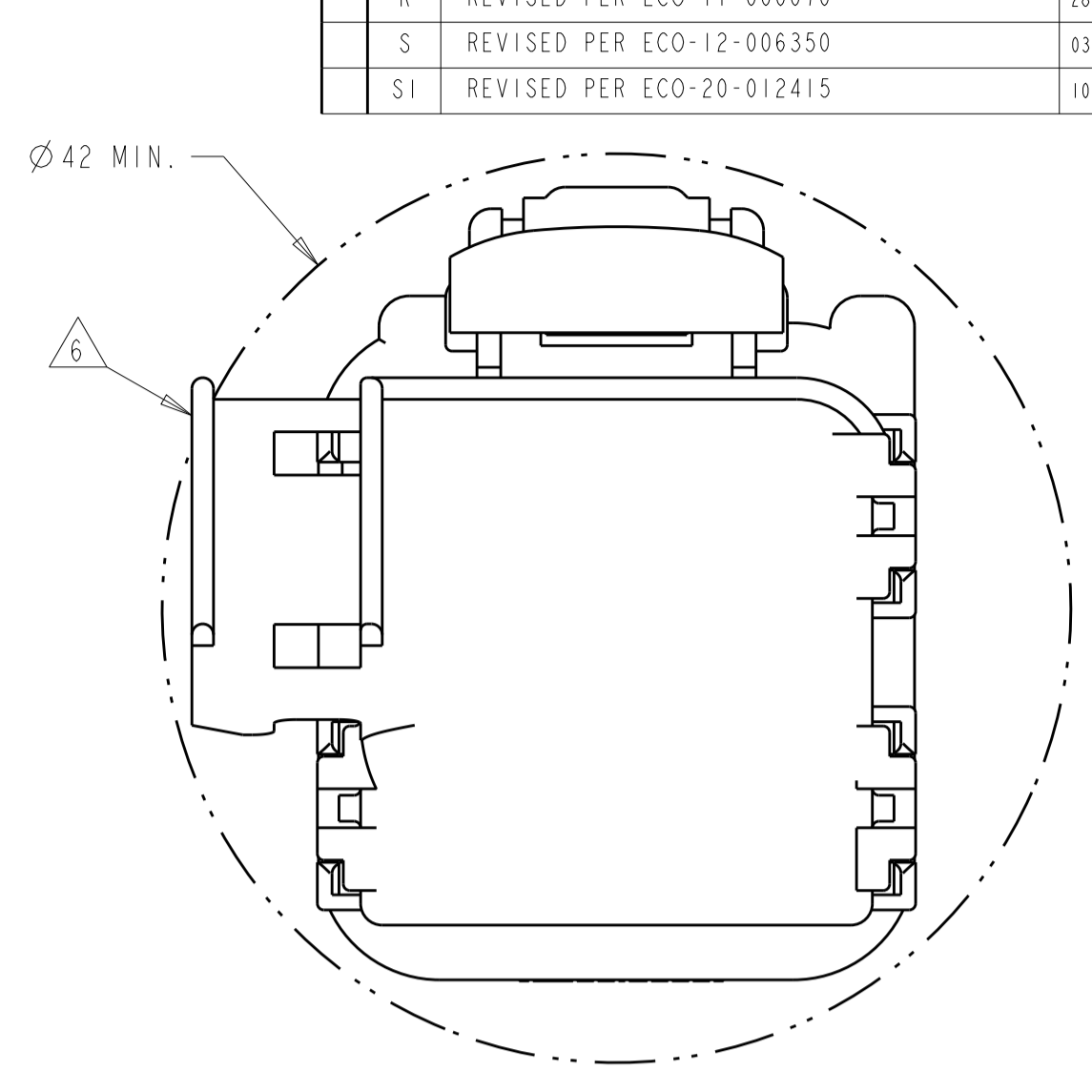
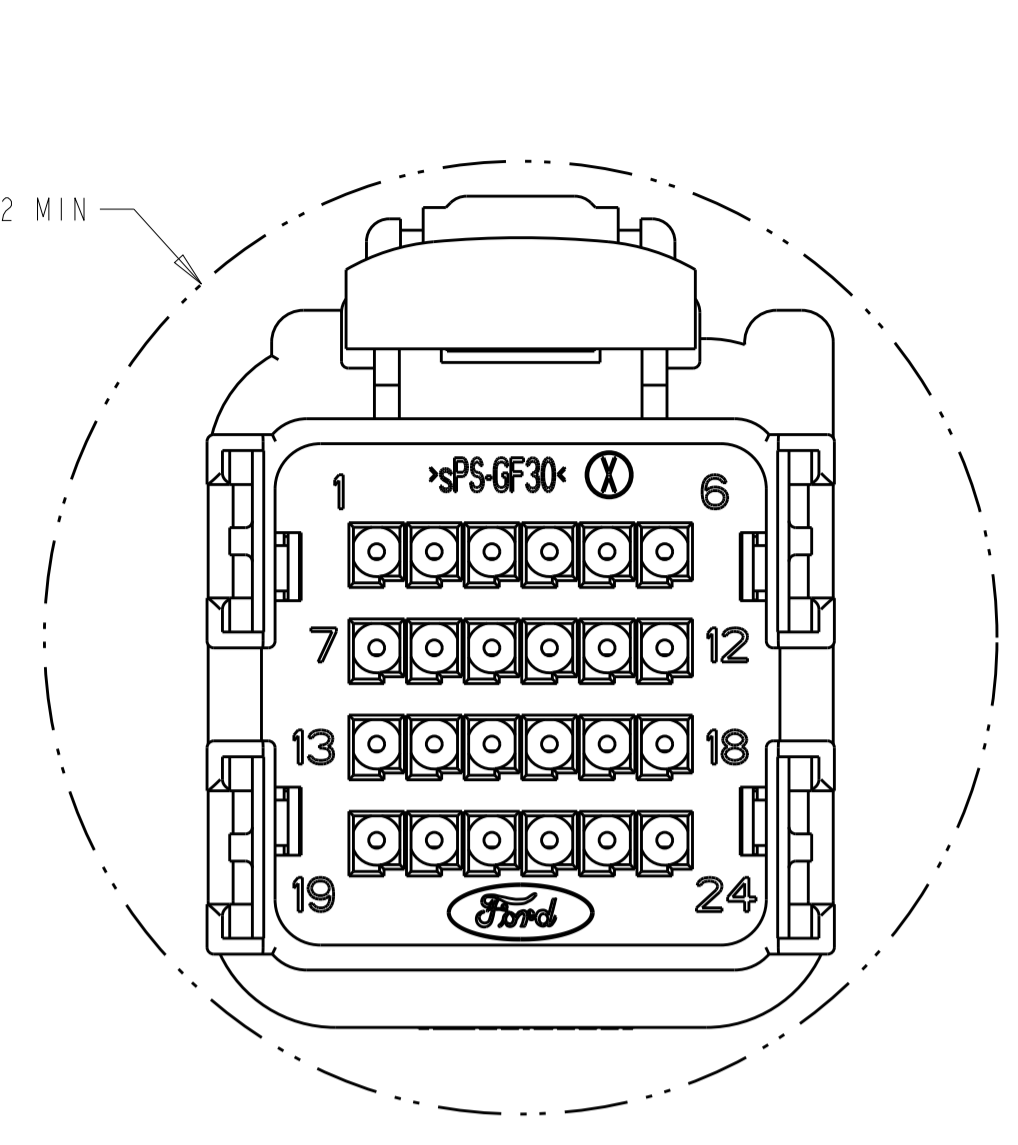
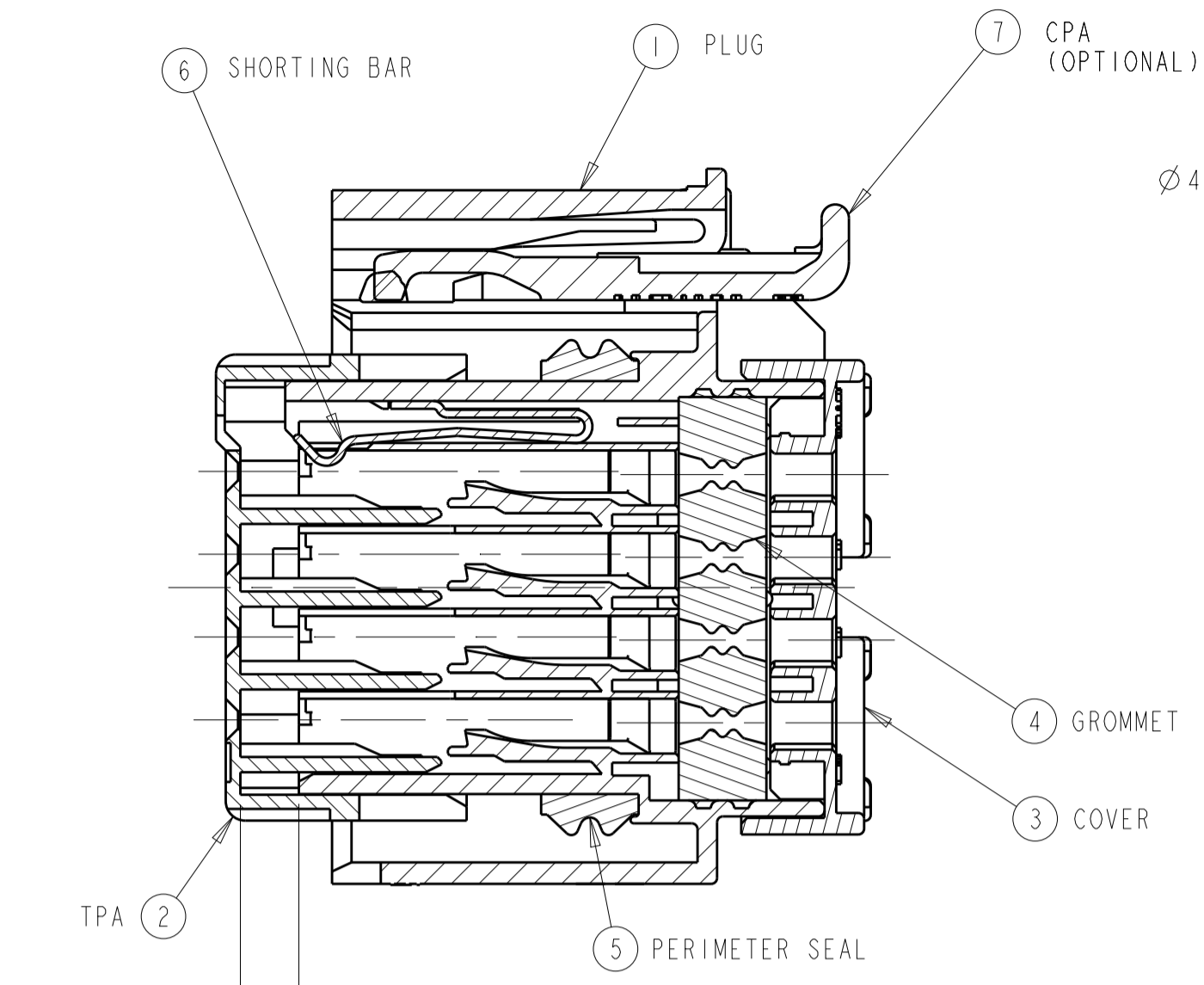
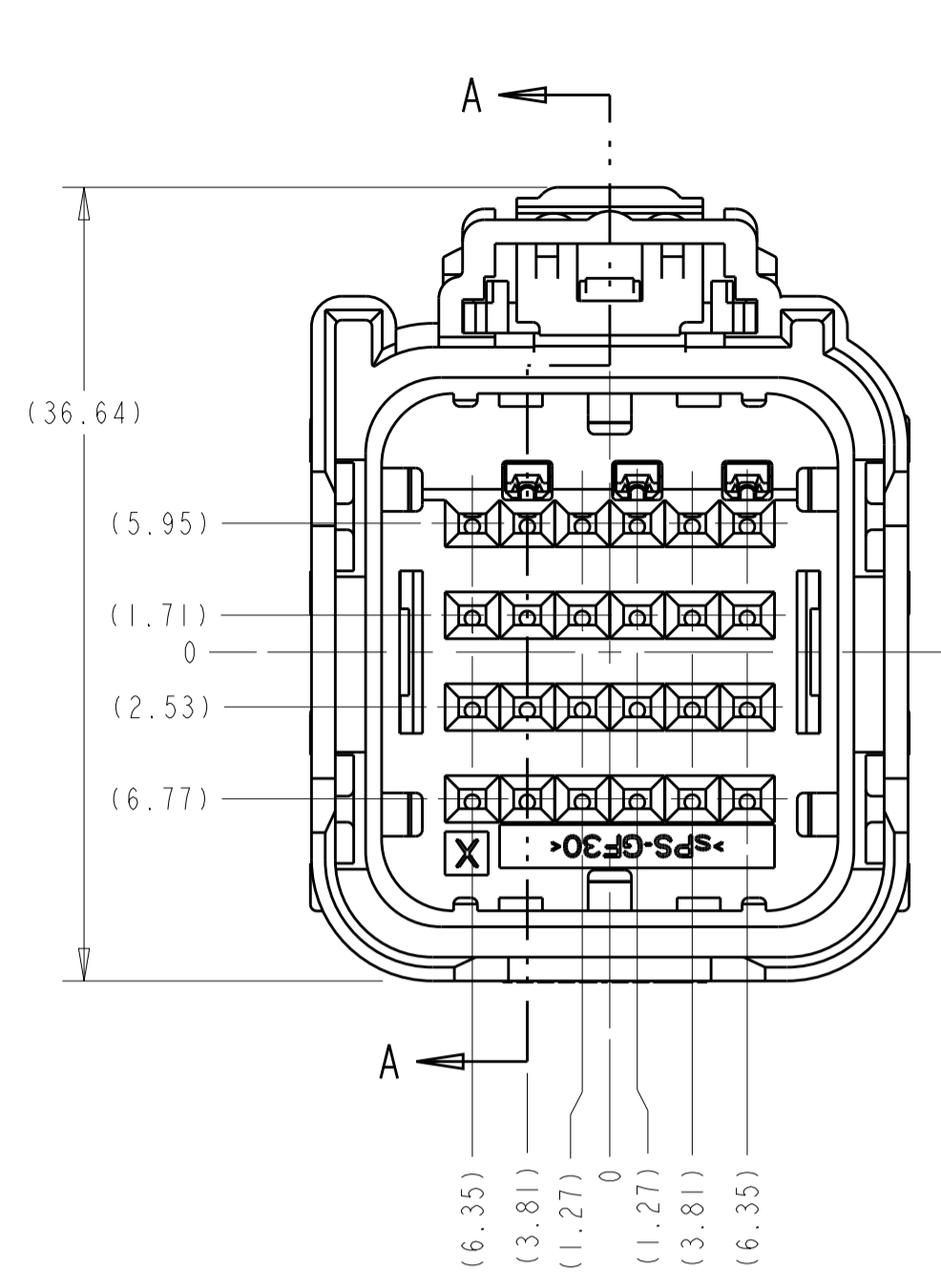
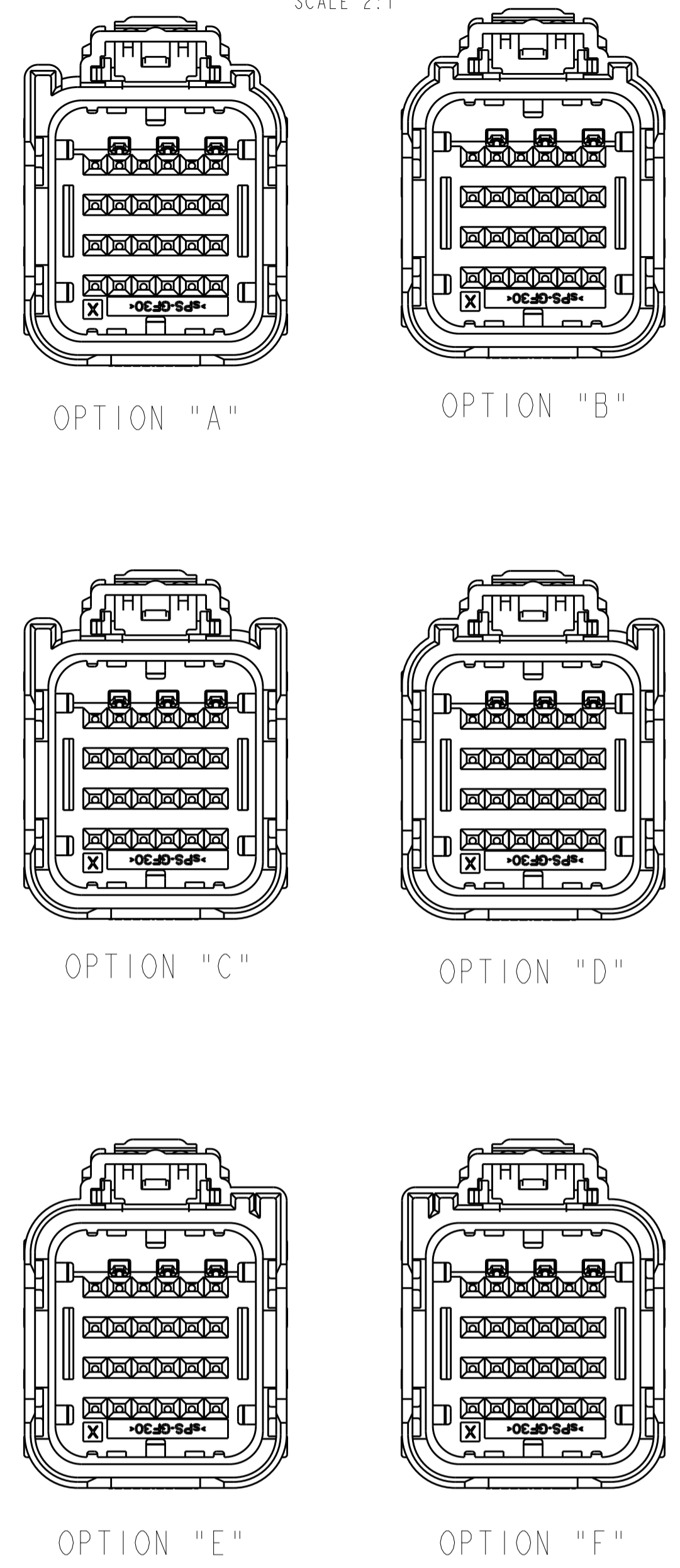
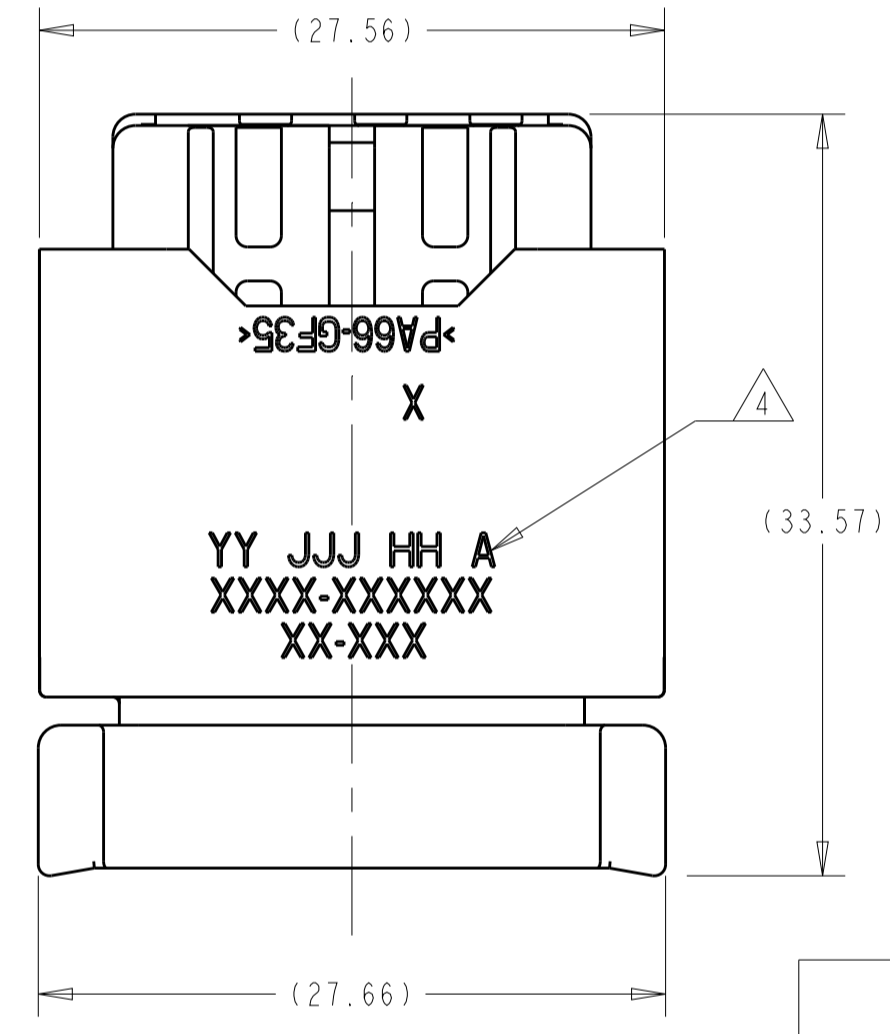


LOC	DIST	REVISIONS			
P	LTN	DESCRIPTION	DATE	OWN	APVD
P		REVISED PER ECO-11-000262	06JAN2011	DLD	WTW
R		REVISED PER ECO-11-006070	28MAR2011	DLD	WTW
S		REVISED PER ECO-12-006350	03APR2012	DLD	WTW
SI		REVISED PER ECO-20-012415	10SEP2020	AP	WW

KEYING OPTIONS  
SCALE 2:1



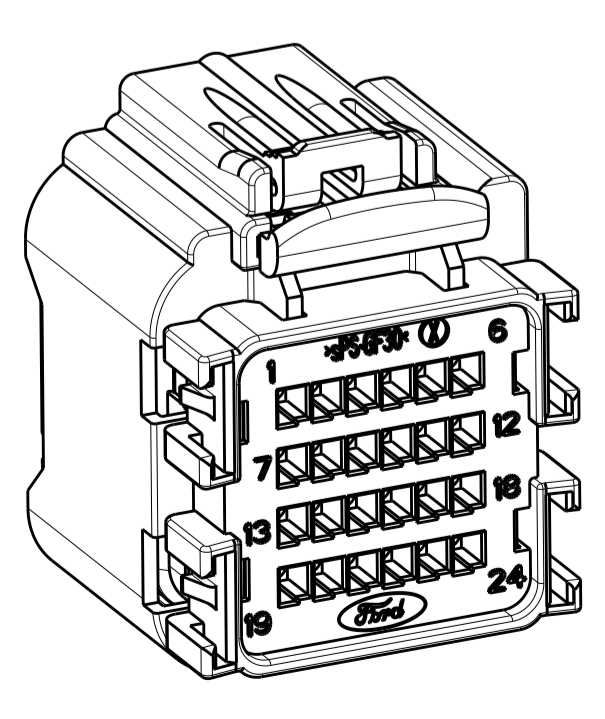
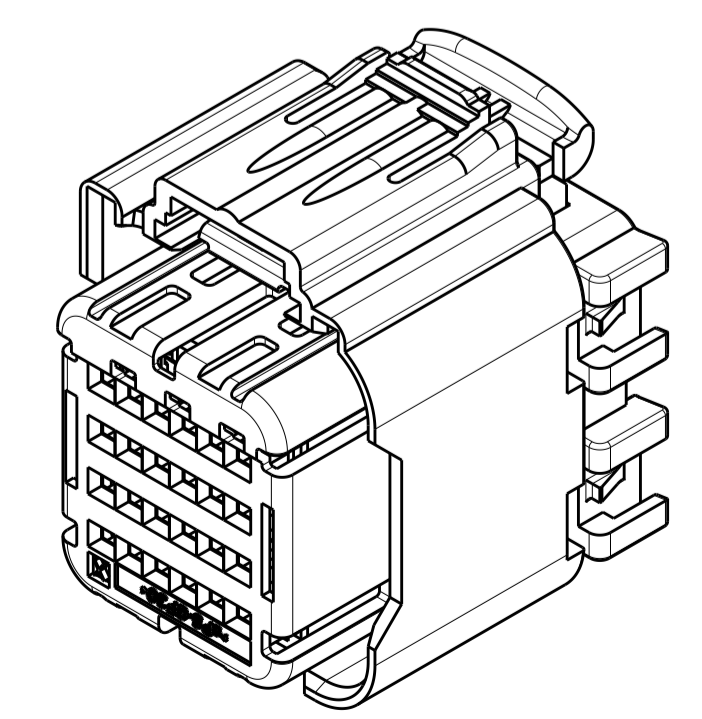
SECTION A-A  
SHOWN WITH TPA IN  
IT'S PRE-LOADED POSITION  
(DELIVERY CONDITON)



- APPLICABLE TERMINAL PART NUMBERS (SOLD SEPARATELY):  
FOR TIN APPLICATIONS: 1393367 AND 1393366.  
FOR GOLD APPLICATIONS: 1393365 AND 1393364.  
FOR TERMINATION AND REELING OPTIONS  
SEE DRAWINGS 1393367, 1393366, 1393365, AND 1393364.
- COMPATIBLE WIRE SIZES FOR MAT SEAL DESIGN 1.19 TO 2.06 O.D.  
(22-18 AWG, 0.35-0.75 mm<sup>2</sup>)
- TPA IS SHIPPED IN IT'S PRE-LOADED POSITION. ALL ASSEMBLIES ARE TO BE TRAY PACKAGED.
- CUSTOMER PART NUMBER AND TRACEABILITY CODE (YY = TWO DIGIT YEAR, JJJ = JULIAN DAY, HH = TWO DIGIT MILITARY HOUR, A = ASSEMBLY PROCESS USED) ARE PRINTED IN THIS LOCATION.
- PART ASSEMBLY WEIGHT WITHOUT TERMINALS AND WITH STANDARD PIN-OUT CONFIGURATION IS 14.39 GRAMS.
- OPTIONAL WIRESHIELD P/N 7-1419157-8 (SOLD SEPARATELY). PLEASE CONTACT YOUR TYCO ELECTRONICS SALES REPRESENTATIVE FOR AVAILABILITY AND PRICING.
- OBSELETE PART

ASSEMBLY PART NUMBERS		QUANTITY	ITEM	DESCRIPTION	MATERIAL	FINISH/COLOR
2-1924675-2	1		7	CPA	PBT-GF15	RED
2-1924675-1	2		6	SHORTING BAR	S.S.	SEE COMPONENT DRAWING
2-1924675-0	2		5	PERIMETER SEAL	SILICONE	GREEN
1-1924675-9	2		4	GROMMET	SILICONE	BROWN
1-1924675-8	2		3	COVER	PA66 35% GF	BLACK
1-1924675-7	2		2	3 SHORTING BAR POSITIONS CONFIGURATION	sPS 30% GF	NATURAL
1-1924675-6	2		1	3 SHORTING BAR POSITIONS CONFIGURATION	PA66 30% GF	BLACK
1-1924675-5	2		1	3 SHORTING BAR POSITIONS CONFIGURATION	PA66 35% GF	BLACK
1-1924675-4	2		1	3 SHORTING BAR POSITIONS CONFIGURATION	PA66 35% GF	BLACK
1-1924675-3	2		1	3 SHORTING BAR POSITIONS CONFIGURATION	PA66 35% GF	BLACK
1-1924675-2	2		1	3 SHORTING BAR POSITIONS CONFIGURATION	PA66 35% GF	NATURAL
1-1924675-1	2		1	3 SHORTING BAR POSITIONS CONFIGURATION	PA66 35% GF	BLACK
1-1924675-0	2		1	3 SHORTING BAR POSITIONS CONFIGURATION	PA66 35% GF	GRAY

KEYING OPTION "A" SHOWN



SCALE 2:1

SCALE 2:1

THIS DRAWING IS A CONTROLLED DOCUMENT.

OWN: R. VESTAL 24JUL2007  
CHK: W. WELLINSKY 24JUL2007  
APVD: W. WELLINSKY 24JUL2007

DIMENSIONS: mm  
TOLERANCES UNLESS OTHERWISE SPECIFIED:  
0 PLC ±  
1 PLC ±0.3  
2 PLC ±0.10  
3 PLC ±  
4 PLC ±  
ANGLES ±

MATERIAL: SEE CHART ABOVE  
FINISH: -

WEIGHT: SEE NOTE 5  
CUSTOMER DRAWING

NAME: 24 WAY ARM PLUG ASSEMBLY WITH SELECT LOAD SHORTING BARS CUSTOMER SPEC.  
SIZE: A1  
CAGE CODE: 00779  
DRAWING NO: 1924674  
RESTRICTED TO: S

SCALE: 3:1  
SHEET: 1 OF 5  
REV: S

STE TE Connectivity

LOC	DIST	REVISIONS			
F	LTN	DESCRIPTION	DATE	DWN	APVD
-	-	SEE SHEET 1	-	-	-

ASSEMBLY PART NUMBERS

ITEM	DESCRIPTION	MATERIAL	FINISH/COLOR	
7	CPA	PBT-GF15	RED	
6	SHORTING BAR	S.S.	SEE COMPONENT DRAWING	
5	PERIMETER SEAL	SILICONE	GREEN	
4	GROMMET	SILICONE	BROWN	
3	COVER	PA66 35% GF	BLACK	
2	3 SHORTING BAR POSITIONS CONFIGURATION TPA WITH KEYING OPTION "F" AND 3 SHORTING BAR POSITIONS CONFIGURATION	sPS 30% GF	NATURAL	
1	3 SHORTING BAR POSITIONS CONFIGURATION PLUG WITH KEYING OPTION "E" AND 3 SHORTING BAR POSITIONS CONFIGURATION	PA66 30% GF	BLACK	
1	3 SHORTING BAR POSITIONS CONFIGURATION PLUG WITH KEYING OPTION "E" AND 3 SHORTING BAR POSITIONS CONFIGURATION	PA66 35% GF	BLACK	
1	3 SHORTING BAR POSITIONS CONFIGURATION PLUG WITH KEYING OPTION "C" AND 3 SHORTING BAR POSITIONS CONFIGURATION	PA66 35% GF	BLACK	
1	3 SHORTING BAR POSITIONS CONFIGURATION PLUG WITH KEYING OPTION "A" AND 3 SHORTING BAR POSITIONS CONFIGURATION	PA66 35% GF	BLACK	
1	3 SHORTING BAR POSITIONS CONFIGURATION PLUG WITH KEYING OPTION "D" AND 3 SHORTING BAR POSITIONS CONFIGURATION	PA66 35% GF	BLACK	
1	3 SHORTING BAR POSITIONS CONFIGURATION PLUG WITH KEYING OPTION "C" AND 3 SHORTING BAR POSITIONS CONFIGURATION	PA66 35% GF	NATURAL	
1	3 SHORTING BAR POSITIONS CONFIGURATION PLUG WITH KEYING OPTION "B" AND 3 SHORTING BAR POSITIONS CONFIGURATION	PA66 35% GF	BLACK	
1	3 SHORTING BAR POSITIONS CONFIGURATION PLUG WITH KEYING OPTION "A" AND 3 SHORTING BAR POSITIONS CONFIGURATION	PA66 35% GF	GRAY	
QUANTITY	ITEM	DESCRIPTION	MATERIAL	FINISH/COLOR

THIS DRAWING IS A CONTROLLED DOCUMENT. OWN: R. VESTAL 24JUL2007, CHK: W. WELLINSKY 24JUL2007, APVD: W. WELLINSKY 24JUL2007.

DIMENSIONS: mm, TOLERANCES UNLESS OTHERWISE SPECIFIED: 0 PLC ±.3, 1 PLC ±0.3, 2 PLC ±0.10, 3 PLC ±.1, 4 PLC ±.1, ANGLES ±.5°.

MATERIAL: SEE CHART ABOVE, FINISH: -.

WEIGHT: -, CUSTOMER DRAWING.

STE TE Connectivity. NAME: 24 WAY ARM PLUG ASSEMBLY WITH SELECT LOAD SHORTING BARS CUSTOMER SPEC. SIZE: A1, CAGE CODE: 00779, DRAWING NO: 1924674, REV: S1.

SCALE: 3:1, SHEET 2 OF 5.

LOC	DIST	REVISIONS					
		P	LTN	DESCRIPTION	DATE	DMN	APVD
FX	00	-	-	SEE SHEET 1	-	-	-

PIN-OUT CHART

3 / 4	1 / 2	1	2	5	6	7	8	9	10	11	12	14	15	16	17	18	19	20	21	22	23	24	CPA	ASSEMBLY PART NUMBER	PLUG KEYING OPTION				
																							N	1-1924674-3	KEY "A"				
																							N	1-1924674-2	KEY "A"				
																							N	1-1924674-1	KEY "A"				
																							N	1-1924674-0	KEY "A"				
																							N	1924674-9	KEY "A"				
																							N	1924674-8	KEY "A"				
																							N	1924674-7	KEY "A"				
																							N	1924674-6	KEY "A"				
																							N	1924674-5	KEY "A"				
																							N	1924674-4	KEY "A"				
																							N	1924674-3	KEY "A"				
																							N	1924674-2	KEY "A"				
																							N	1924674-1	KEY "A"				
5 / 6	3 / 4	1 / 2	1	2	3	4	5	6	7	8	9	10	11	12	13	14	15	16	17	18	19	20	21	22	23	24	CPA	ASSEMBLY PART NUMBER	PLUG KEYING OPTION
SHORTING BAR POSITION			TERMINAL HOLE POSITION																										
CAVITIES W/ A NUMERIC SYMBOL INDICATE SHORTING BAR LOADED			CAVITIES WITH A NUMERIC SYMBOL INDICATE CLOSED TERMINAL HOLE POSITIONS																										
BLANK CAVITIES INDICATE NO SHORTING BAR LOADED			BLANK CAVITIES INDICATE OPEN TERMINAL HOLE POSITIONS																										

THIS DRAWING IS A CONTROLLED DOCUMENT.


DIMENSIONS: mm  
 TOLERANCES UNLESS OTHERWISE SPECIFIED:  
 0 PLC ±.3  
 1 PLC ±0.3  
 2 PLC ±0.10  
 3 PLC ±.1  
 4 PLC ±.1  
 ANGLES ±.5°  
 FINISH -

MATERIAL: SEE CHART ABOVE  
 WEIGHT: -  
 CUSTOMER DRAWING

DWN: R. VESTAL 24JUL2007  
 CHK: W. WELLINSKY 24JUL2007  
 APVD: W. WELLINSKY 24JUL2007

NAME: 24 WAY ARM PLUG ASSEMBLY WITH SELECT LOAD SHORTING BARS CUSTOMER SPEC.  
 PRODUCT SPEC: -  
 APPLICATION SPEC: -  
 SIZE: A1  
 CAGE CODE: 00779  
 DRAWING NO: 1924674  
 RESTRICTED TO: S

SCALE: 3:1  
 SHEET: 3 OF 5  
 REV: S1



LOC	DIST	REVISIONS			
P	LTN	DESCRIPTION	DATE	DNW	APVD
-	-	SEE SHEET 1	-	-	-

PIN-OUT CHART

SHORTING BAR POSITION	TERMINAL HOLE POSITION																								CPA	ASSEMBLY PART NUMBER	PLUG KEYING OPTION				
3 / 4	1 / 2																											Y	2-1924675-2	KEY "A"	
3 / 4	1 / 2					5	6																					Y	2-1924675-1	KEY "A"	
3 / 4	1 / 2	1	2	3	4	5	6	7	8	9	10	11	12																Y	2-1924675-0	KEY "A"
3 / 4	1 / 2					5	6																					Y	1-1924675-9	KEY "A"	
3 / 4	1 / 2					5	6																					Y	1-1924675-8	KEY "A"	
3 / 4	1 / 2					5	6					11	12															Y	1-1924675-7	KEY "A"	
3 / 4	1 / 2					5	6					11	12															Y	1-1924675-6	KEY "A"	
3 / 4	1 / 2					5	6					11	12															Y	1-1924675-5	KEY "A"	
3 / 4	1 / 2					5	6					11	12															Y	1-1924675-4	KEY "A"	
3 / 4	1 / 2					5	6					11	12															Y	1-1924675-3	KEY "A"	
3 / 4	1 / 2							7	8	9	10	11	12															Y	1-1924675-2	KEY "A"	
3 / 4	1 / 2					5	6					11	12															Y	1-1924675-1	KEY "A"	
3 / 4	1 / 2					5	6					11	12															Y	1-1924675-0	KEY "A"	
3 / 4	1 / 2					5	6	7	8	9	10	11	12															Y	1924675-9	KEY "A"	
3 / 4	1 / 2					5	6					11	12															Y	1924675-8	KEY "A"	
3 / 4	1 / 2					5	6																					Y	1924675-7	KEY "A"	
3 / 4	1 / 2					5	6																					Y	1924675-6	KEY "A"	
3 / 4	1 / 2					5	6																					Y	1924675-5	KEY "A"	
3 / 4	1 / 2					5	6					11	12															Y	1924675-4	KEY "A"	
3 / 4	1 / 2					5	6					11	12															Y	1924675-3	KEY "A"	
3 / 4	1 / 2					5	6					11	12															Y	1924675-2	KEY "A"	
3 / 4	1 / 2																											Y	1924675-1	KEY "A"	
5 / 6	3 / 4	1 / 2	1	2	3	4	5	6	7	8	9	10	11	12	13	14	15	16	17	18	19	20	21	22	23	24	CPA	ASSEMBLY PART NUMBER	PLUG KEYING OPTION		

CAVITIES W/ A NUMERIC SYMBOL INDICATE SHORTING BAR LOADED  
 BLANK CAVITIES INDICATE NO SHORTING BAR LOADED  
 CAVITIES WITH A NUMERIC SYMBOL INDICATE CLOSED TERMINAL HOLE POSITIONS  
 BLANK CAVITIES INDICATE OPEN TERMINAL HOLE POSITIONS

THIS DRAWING IS A CONTROLLED DOCUMENT. DWN: R. VESTAL 24JUL2007  
 CHK: W. WELLINSKY 24JUL2007  
 APVD: W. WELLINSKY 24JUL2007

DIMENSIONS: mm  
 TOLERANCES UNLESS OTHERWISE SPECIFIED:  
 0 PLC ±.3  
 1 PLC ±0.3  
 2 PLC ±0.10  
 3 PLC ±.  
 4 PLC ±.  
 ANGLES ±.  
 FINISH ±.

MATERIAL: SEE CHART ABOVE  
 FINISH: .

NAME: 24 WAY ARM PLUG ASSEMBLY WITH SELECT LOAD SHORTING BARS CUSTOMER SPEC.  
 SIZE: A1  
 CAGE CODE: 00779  
 DRAWING NO: 1924674  
 RESTRICTED TO: S

SCALE: 3:1  
 SHEET: 4 OF 5  
 REV: S1

LOC	DIST	REVISIONS					
		P	LTN	DESCRIPTION	DATE	DWN	APVD
FX	00	-		SEE SHEET 1	-	-	-

PIN-OUT CHART

SHORTING BAR POSITION		TERMINAL HOLE POSITION																								CPA	ASSEMBLY PART NUMBER	PLUG KEYING OPTION		
5 / 6	3 / 4	1 / 2	1	2	3	4	5	6	7	8	9	10	11	12	13	14	15	16	17	18	19	20	21	22	23				24	
		1 / 2																										N	2098376-1	KEY "F"
		1 / 2																										N	1924686-1	KEY "E"
		1 / 2																										N	1924685-1	KEY "D"
		1 / 2																										N	1924684-1	KEY "C"
		1 / 2																										N	1924683-1	KEY "B"
		1 / 2																										N	1924682-1	KEY "A"
CAVITIES W/ A NUMERIC SYMBOL INDICATE SHORTING BAR LOADED			CAVITIES WITH A NUMERIC SYMBOL INDICATE CLOSED TERMINAL HOLE POSITIONS																											
BLANK CAVITIES INDICATE NO SHORTING BAR LOADED			BLANK CAVITIES INDICATE OPEN TERMINAL HOLE POSITIONS																											

THIS DRAWING IS A CONTROLLED DOCUMENT.

DIMENSIONS: mm

TOLERANCES UNLESS OTHERWISE SPECIFIED:

0 PLC	±
1 PLC	±0.3
2 PLC	±0.10
3 PLC	±
4 PLC	±
ANGLES	±°
FINISH	-

MATERIAL: SEE CHART ABOVE

DATE: 24 JUL 2007

CHK: R. VESTAL

CHK: W. WELLINSKY

APVD: W. WELLINSKY

NAME: 24 WAY ARM PLUG ASSEMBLY WITH SELECT LOAD SHORTING BARS CUSTOMER SPEC.

SIZE: A1

CAGE CODE: 00779

DRAWING NO: 1924674

RESTRICTED TO: CUSTOMER DRAWING

SCALE: 3:1

SHEET: 5 OF 5

REV: S1

TE Connectivity