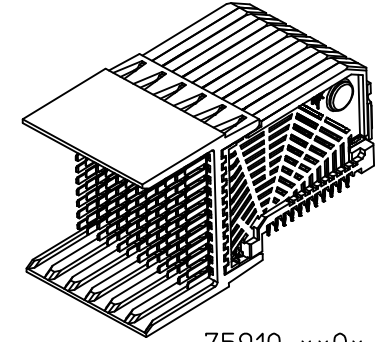


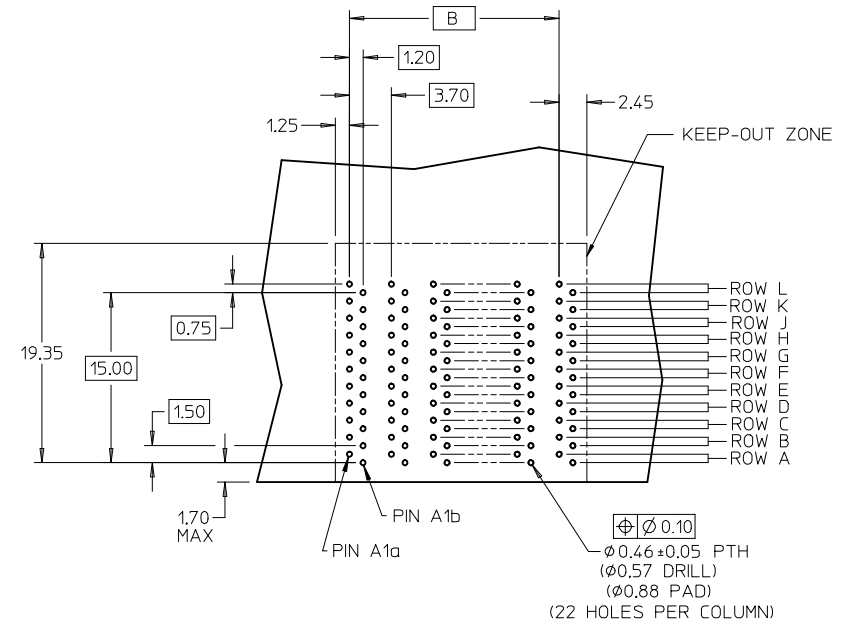
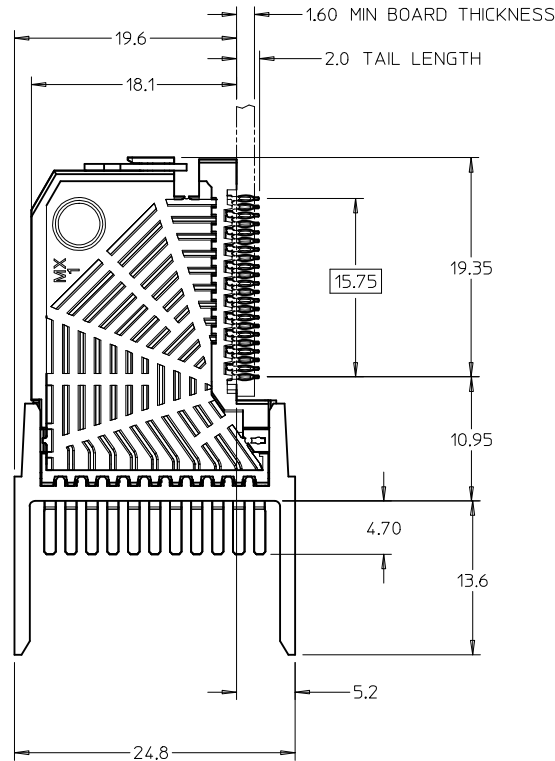
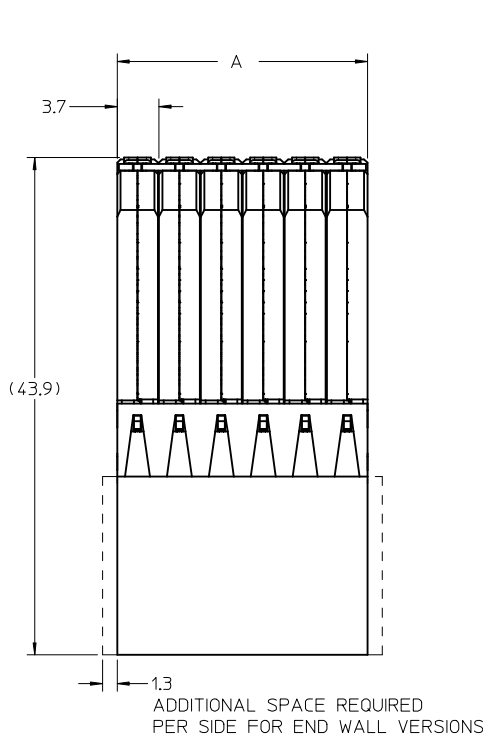
NOTES:

1. MATERIALS: HOUSING - LIQUID CRYSTAL POLYMER (LCP), BLACK, UL94V-0
TERMINALS - HIGH PERFORMANCE COPPER ALLOY.
2. FINISH: SELECTIVE GOLD IN CONTACT AREA.
SELECTIVE MATTE TIN ON PCB TAILS, NICKEL OVERALL.
3. REFER TO MOLEX PRODUCT SPECIFICATION PS-75710-999 FOR PERFORMANCE SPECIFICATIONS.
4. PACKAGED PER PK-70873-585.
5. THIS PART CONFORMS TO CLASS B REQUIREMENTS OF MOLEX COSMETIC SPEC PS-45499-002.
6. GUIDED PARTS TO BE SHIPPED WITH 2-32 TYPE AB SELF-TAPPING SCREW P/N 73726-0000.
7. MAPS (MOLEX ADVANCED PLATING SYSTEM).

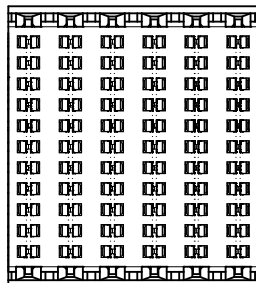
MATERIAL NUMBER	# OF COLUMNS	DIM "A" MAX	DIM "B"
75910-*5**	5	18.50	14.80
75910-*6**	6	22.20	18.50
75910-*1**	10	37.00	33.30



75910-***0*
UNGUIDED,
OPEN ENDED



RAM HOLE PATTERN
(CONNECTOR SIDE)



(75910-***3)
(75910-***7)

LEAD FREE CONV./MAPS EC NO: UCP2013-4121 DRWR:RHIPPLE 2013/04/01 CHKD:MWOLFE 2013/04/01 APPR:SMILLER 2013/07/15	QUALITY SYMBOLS ▽=0 ▽=0 ▽=0	GENERAL TOLERANCES (UNLESS SPECIFIED)		DIMENSION STYLE MM ONLY		SCALE 3:1	DESIGN UNITS METRIC	THIRD ANGLE PROJECTION	
		4 PLACES ± --- ± ---	3 PLACES ± --- ± ---	2 PLACES ± 0.13 ± ---	1 PLACE ± 0.25 ± ---	0 PLACE ± ±	ANGULAR ±1/2°	DRAFT WHERE APPLICABLE MUST REMAIN WITHIN DIMENSIONS	MATERIAL NO. SEE CHART
DRAWN BY JLAURX			DATE 2005/9/13			TITLE I-TRAC 11 ROW RAM ASS'Y DIFFERENTIAL LONG NOSE UNGUIDED			
CHECKED BY ELO			DATE 2006/11/09			molex			
APPROVED BY CBIXLER			DATE 2006/11/10						
THIS DRAWING CONTAINS INFORMATION THAT IS PROPRIETARY TO MOLEX INCORPORATED AND SHOULD NOT BE USED WITHOUT WRITTEN PERMISSION									

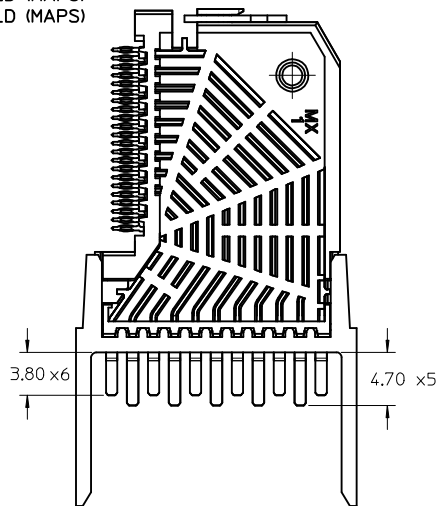
75910-****

MODULE TYPE -- TAIL PLATING TYPE
 0 = UNGUIDED - MATTE TIN (FORMERLY TIN/LEAD)
 1 = UNGUIDED - MATTE TIN

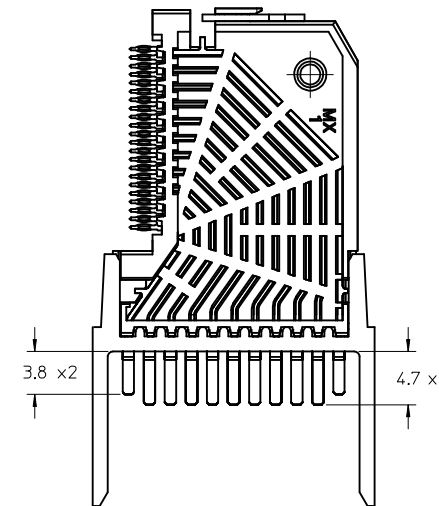
OF COLUMNS
 5 = 5 COL
 6 = 6 COL
 1 = 10 COL

PIN LENGTH/PLATING
 3 = 4.70 30 GOLD
 5 = 6 X 3.80, 5 X 4.70 STAGGERED 30 GOLD
 6 = 2 X 3.80, 9 X 4.70 STAGGERED 30 GOLD
 7 = 4.70 10 GOLD (MAPS)
 8 = 6 X 3.80, 5 X 4.70 STAGGERED 10 GOLD (MAPS)
 9 = 2 X 3.80, 9 X 4.70 STAGGERED 10 GOLD (MAPS)

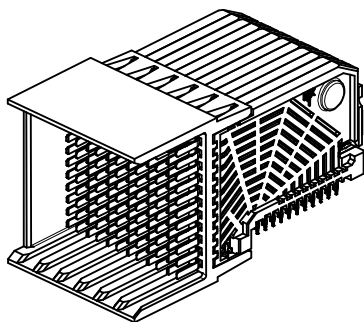
HOUSING STYLE
 0 = OPEN ENDED
 1 = LEFT-END WALL
 2 = RIGHT-END WALL
 3 = DUAL-END WALL



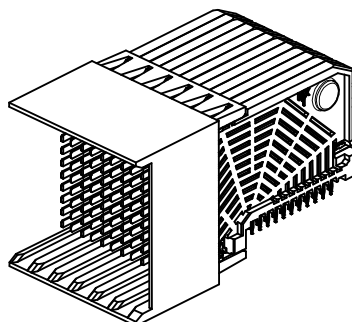
STAGGERED PIN OPTION
 (75910-***5)
 (75910-***8)



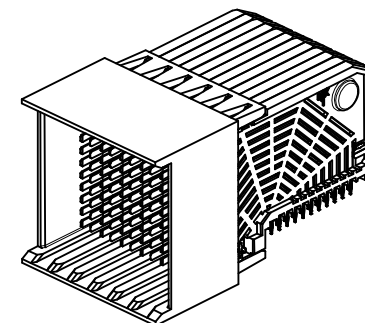
STAGGERED PIN OPTION
 (75910-***6)
 (75910-***9)



75910-**1*
 LEFT-END WALL



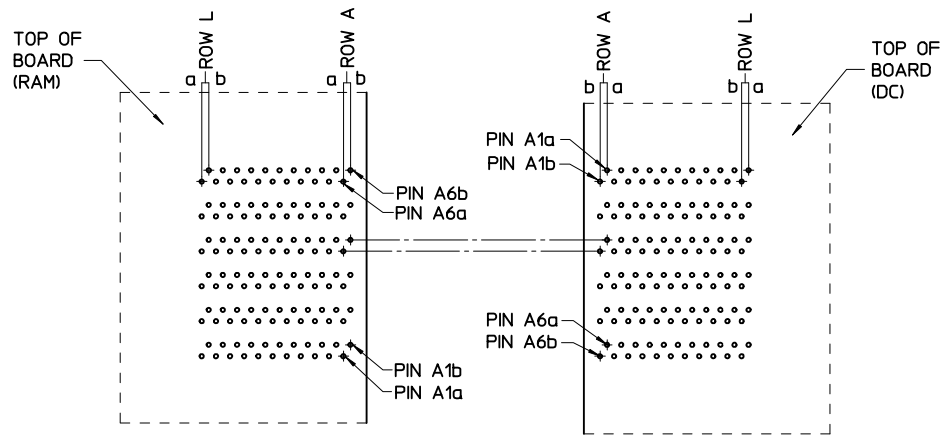
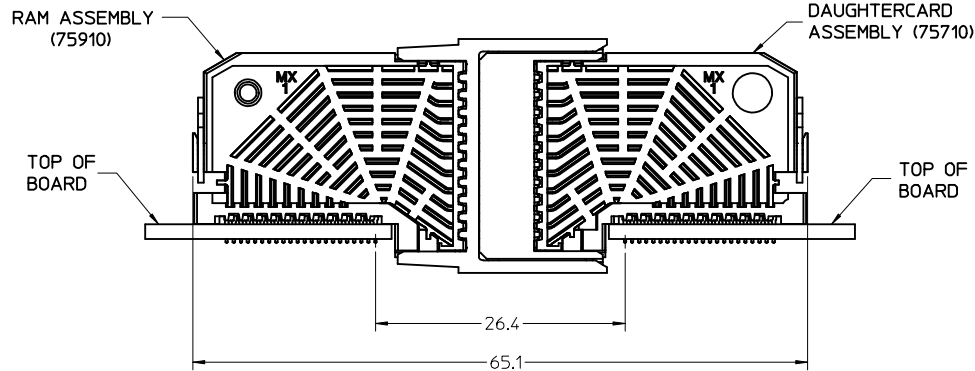
75910-**2*
 RIGHT-END WALL



75910-**3*
 DUAL-END WALL

SEE SHEET 1 EC NO: UCP2013-4121 DRW:RWH/PPLE 2013/04/01 CHKD:MMOLFE 2013/04/01 APPR:SMILLER 2013/07/15	QUALITY SYMBOLS ▽=0 ▽=0 ▽=0	GENERAL TOLERANCES (UNLESS SPECIFIED)		DIMENSION STYLE MM ONLY	SCALE 3:1	DESIGN UNITS METRIC	THIRD ANGLE PROJECTION		
		4 PLACES ± --- ± ---	3 PLACES ± --- ± ---	2 PLACES ± 0.13 ± ---	1 PLACE ± 0.25 ± ---	0 PLACE ± ±	DRAWN BY DATE JLAURX 2005/9/13		
		ANGULAR ±1/2°		MATERIAL NO.		DATE 2006/11/09			
		DRAFT WHERE APPLICABLE MUST REMAIN WITHIN DIMENSIONS		SEE CHART		DATE 2006/11/10			
DOCUMENT NO. SD-75910-001				TITLE I-TRAC 11 ROW RAM ASS'Y DIFFERENTIAL LONG NOSE UNGUIDED					
THIS DRAWING CONTAINS INFORMATION THAT IS PROPRIETARY TO MOLEX INCORPORATED AND SHOULD NOT BE USED WITHOUT WRITTEN PERMISSION						SHEET NO. 2 OF 3			

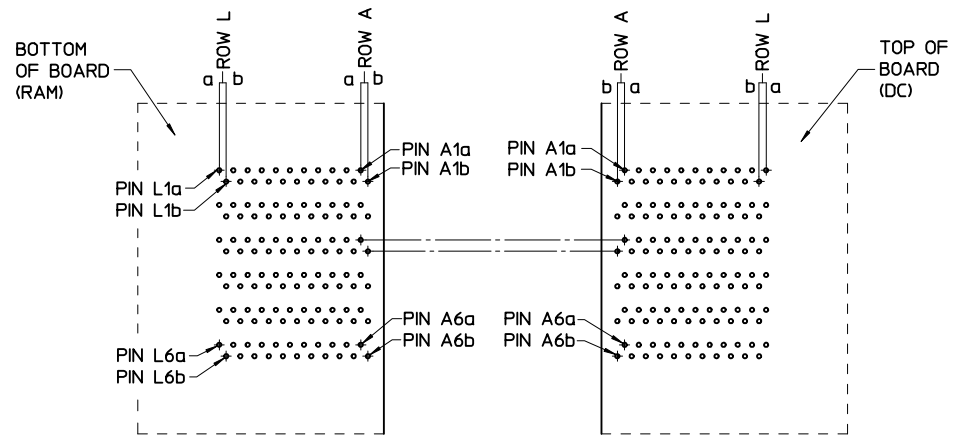
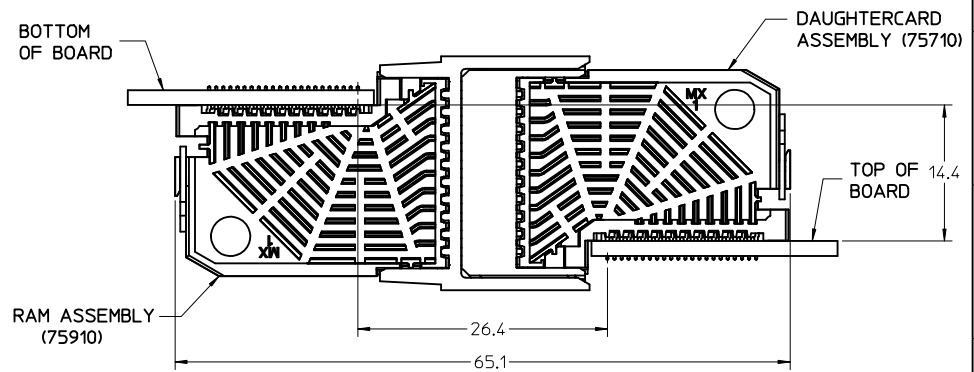
COPLANAR APPLICATION



COPLANAR MATED SIGNAL PATHS

RAM PIN A6b	DC PIN A1a
RAM PIN A6a	DC PIN A1b
.....
RAM PIN A1b	DC PIN A6a
RAM PIN A1a	DC PIN A6b

INVERTED APPLICATION



INVERTED MATED SIGNAL PATHS

RAM PIN L1a	DC PIN A1a
RAM PIN L1b	DC PIN A1b
.....
RAM PIN L6a	DC PIN A6a
RAM PIN L6b	DC PIN A6b

SEE SHEET 1 EC NO: UCP2013-4121 DRWN:RHIPPLE 2013/04/01 CHKD:HWOLFE 2013/04/01 APPR:SMILLER 2013/07/15	QUALITY SYMBOLS ▽=0 ▽=0 ▽=0	GENERAL TOLERANCES (UNLESS SPECIFIED) <table border="1" style="font-size: small;"> <tr><th colspan="2">mm</th><th colspan="2">INCH</th></tr> <tr><td>4 PLACES</td><td>± ---</td><td>± ---</td><td>± ---</td></tr> <tr><td>3 PLACES</td><td>± ---</td><td>± ---</td><td>± ---</td></tr> <tr><td>2 PLACES</td><td>± 0.13</td><td>± ---</td><td>± ---</td></tr> <tr><td>1 PLACE</td><td>± 0.25</td><td>± ---</td><td>± ---</td></tr> <tr><td>0 PLACE</td><td>±</td><td>±</td><td>±</td></tr> </table>	mm		INCH		4 PLACES	± ---	± ---	± ---	3 PLACES	± ---	± ---	± ---	2 PLACES	± 0.13	± ---	± ---	1 PLACE	± 0.25	± ---	± ---	0 PLACE	±	±	±	DIMENSION STYLE MM ONLY DRAWN BY: JLAURX DATE: 2005/9/13 CHECKED BY: ELO DATE: 2006/11/09 APPROVED BY: CBIXLER DATE: 2006/11/10	SCALE: 2:1 DESIGN UNITS: METRIC THIRD ANGLE PROJECTION	I-TRAC 11 ROW RAM ASS'Y DIFFERENTIAL LONG NOSE UNGUIDED
	mm		INCH																										
	4 PLACES	± ---	± ---	± ---																									
	3 PLACES	± ---	± ---	± ---																									
2 PLACES	± 0.13	± ---	± ---																										
1 PLACE	± 0.25	± ---	± ---																										
0 PLACE	±	±	±																										
DRAFT WHERE APPLICABLE MUST REMAIN WITHIN DIMENSIONS		ANGULAR ±1/2° SEE CHART		DOCUMENT NO. SD-75910-001	SHEET NO. 3 OF 3																								
THIS DRAWING CONTAINS INFORMATION THAT IS PROPRIETARY TO MOLEX INCORPORATED AND SHOULD NOT BE USED WITHOUT WRITTEN PERMISSION																													
SIZE C																													