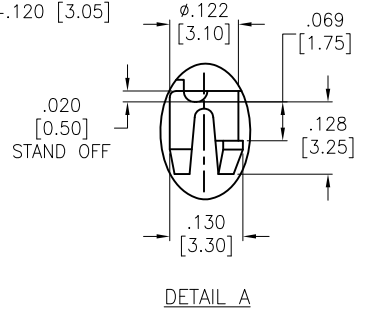
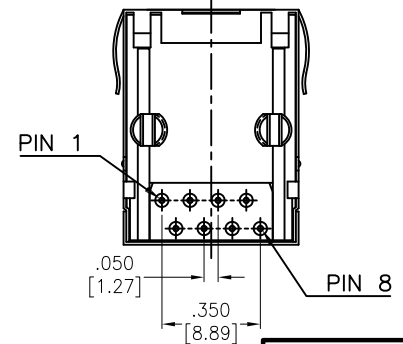
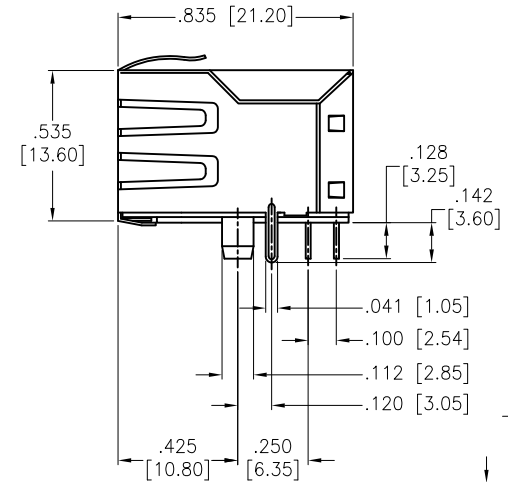
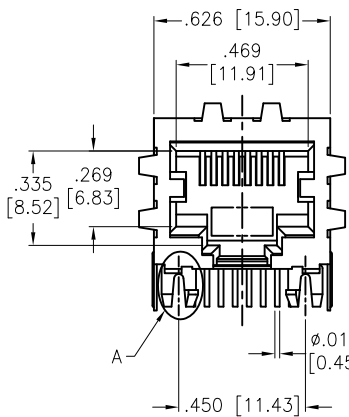
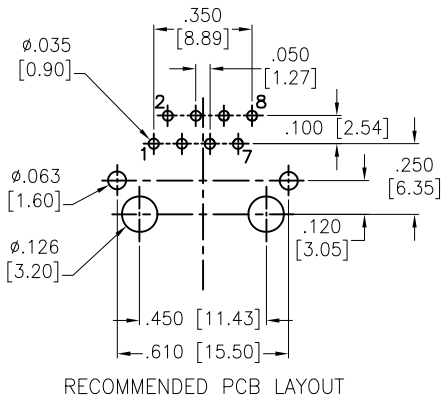
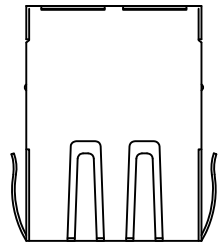


Rev	AWO #	Description	Date	Appr
-		RELEASED	10/4/04	
A		UPDATE DRAWING	8/12/15	AY/NC
B		UPDATE DRAWING	8/12/15	AY/NC

APPROVED: \_\_\_\_\_  
 DATE: \_\_\_\_\_ TITLE: \_\_\_\_\_



**SPECIFICATIONS:**  
 Material:  
 Insulator: PBT, Glass reinforced rated UL 94V-0  
 Insulator color: Black  
 Contacts: Phosphor Bronze  
 Shield: Brass, Nickel plated  
 Contacts Plating:  
 Gold over Nickel underplate on contact area  
 Gold flash over Nickel underplate on solder tails  
 Electrical:  
 Voltage Rating: 150 VAC max  
 Current rating: 1.5 Amps max  
 Contact Resistance: 20 mohms max.  
 Insulation resistance: 500 Mohms min @500 VDC  
 Dielectric withstanding voltage: 1500 Vrms for 1 minut  
 Temperature Rating:  
 Operating temperature: -40°C to +85°C  
 Environmental:  
 Lead free, RoHS compliant.



UNLESS OTHERWISE SPECIFIED  
 ALL DIMENSIONS ARE INCHES [MM]  
 TOLERANCES: EXCEPT AS NOTED

INCHES		HOLES	
.X	± .10	Ø.X	± .10
.XX	± .020	Ø.XX	± .015
.XXX	± .015	Ø.XXX	± .010

APPROVALS		DATE
DRAWN	SS	10/4/04
CHECKED		
APPROVED		

**ADAM TECH INTERCONNECTS** 909 Rahway Avenue,  
 Union, NJ 07083  
 Phone: 908-687-5000  
 Fax: 908-687-5710

TITLE: **MODULAR TELEPHONE JACK, 8P8C  
 RIGHT ANGLE, PCB, FULL SHIELD**

SIZE X	PART NO. MTJ-88GX1-FSD-PG6	REV. B
REF: S00065T	SCALE: NTS	SHEET 1 OF 1