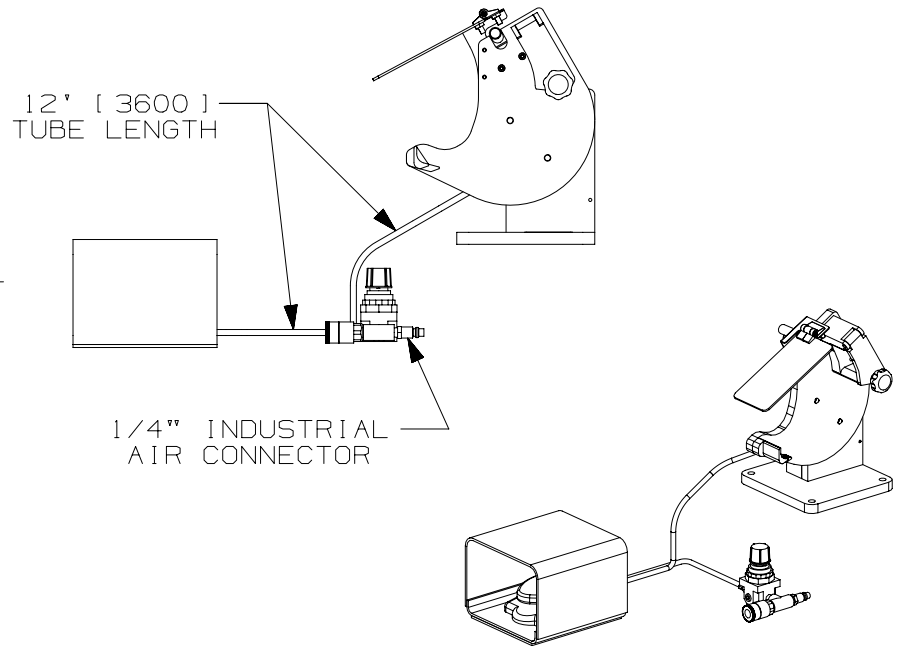
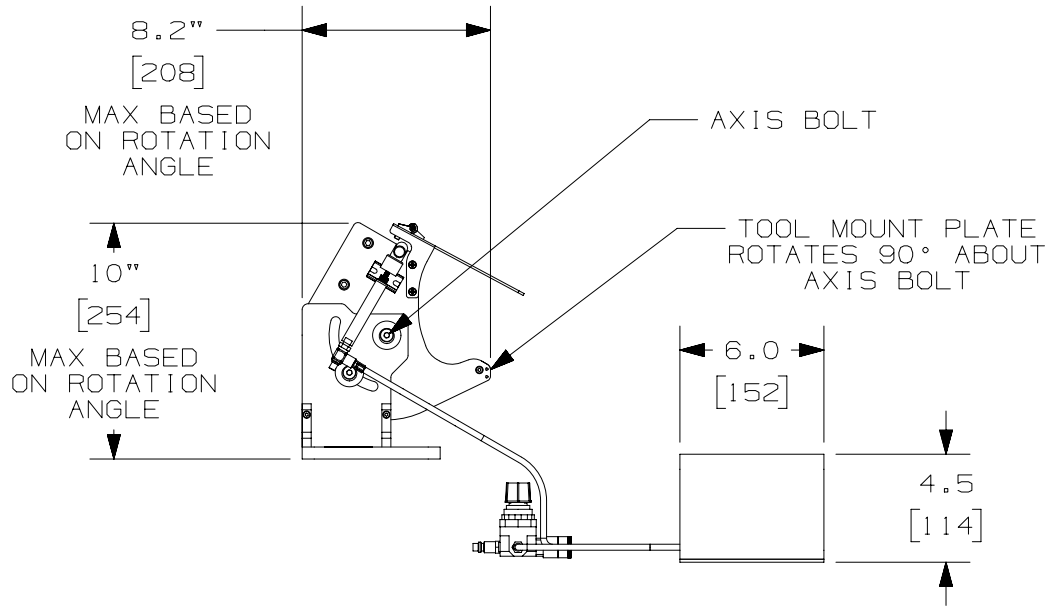
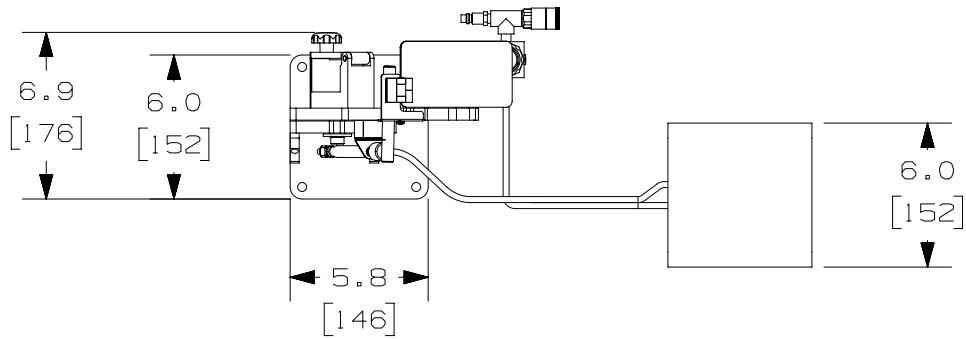


THIS COPY IS PROVIDED ON A RESTRICTED BASIS AND IS NOT TO BE USED IN ANY WAY DETRIMENTAL TO THE INTERESTS OF PANDUIT CORP.



NOTES, UNLESS OTHERWISE SPECIFIED:

EST. WEIGHT: 15.7 lbs (7.1 kg)
 AIR: 65 - 85 psi (4,5 - 5,8 BAR)
 DIMENSIONS IN BRACKETS ARE IN MILLIMETERS, FOR REFERENCE ONLY.
 NOT SHOWN: PATM-RKS (PHM STRAIN RELIEF) INCLUDED

00	06.06.17	BDK	ALP	ALP	RELEASED TO PRODUCTION			013085	
REV	DATE	BY	CHK	APR	DESCRIPTION			ECN	

TITLE									
PATMBM4.0 BENCH MOUNT CUSTOMER DRAWING									
ITEM REVISION NAME								R28946AA/00	
DATASET FILE NAME								R28946AA_DS_WT28946A01/00A	
UNLESS OTHERWISE SPECIFIED, DIMENSIONAL TOLERANCES ARE: IN [mm]								MATERIAL:	
.X ±				.XXX ±				N/A	
.XX ±				ANGLES ±				DRAWING NUMBER:	
				THIRD ANGLE PROJECTION				WT28946A01	
DRAWN BY	DATE	CHK	SCALE						
BDK	05.25.17	ALP	N.T.S.	SHT 1 OF 1					
									A

D10100DA/20