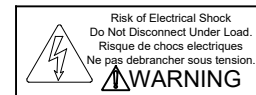
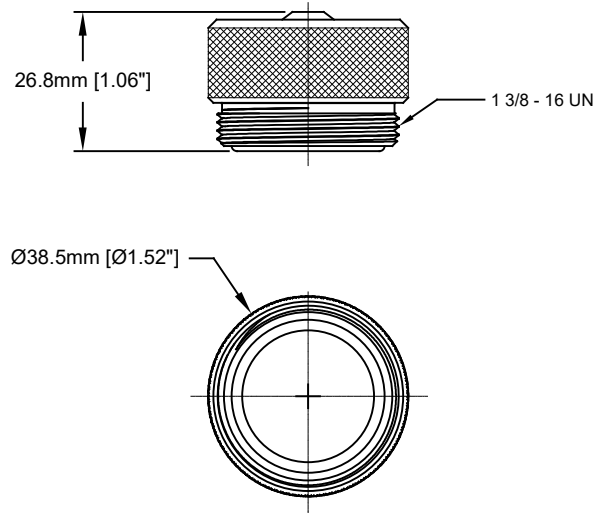


REVISIONS					
REV	ECO	DESCRIPTION	DATE	BY	APPR
A1	-	TECHNICAL DATA SHEET RELEASE	12-MAY-14	KMM	RFC



Amphenol P/N	ROCKWELL P/N	MOLEX	TURCK
P29043	889A-QMCAP	55-0198	GSDM-CC

TECHNICAL DATA:

- 1) MATERIALS:
HOUSING: MACHINED ALUMINUM, ANODIZED
- 2) RoHS COMPLIANT

PART NUMBER		DESCRIPTION		ITEM
P29043		M35 PB LITE, CLOSURE CAP FOR FEMALE CONNECTOR, TRUNK		1
MATERIALS LIST				
UNLESS OTHERWISE SPECIFIED		SIGNATURES		DATE
1) All dimensions are in metric (mm).		DRAWN: KMM		12-MAY-14
2) Tolerances are as follows:		CHECKED: MRF		12-MAY-14
1 PL DEC ±0.30 Fractions ±1/64		ENGINEER: KMM		
2 PL DEC ±0.15 Angles ±1°		APPROVAL: RFC		12-MAY-14
3 PL DEC ±0.08		CUSTOMER:		
3) Note reference =		MATERIAL SPECIFICATIONS:		
PROCESS SPECIFICATIONS:		THIS DRAWING IS SUPPLIED FOR INFORMATION ONLY. DESIGN FEATURES, SPECIFICATIONS AND PERFORMANCE DATA SHOWN HEREON ARE THE PROPERTY OF THE AMPHENOL CORPORATION. NO RIGHTS OF REPRODUCTION ARE IMPLIED. ALL DIMENSIONS ARE SUBJECT TO NORMAL MANUFACTURING VARIATIONS.		
NEXT ASSY:		SIZE	TYPE	DWG NO.
		C-	C-	P29043
		SCALE	FULL	SHEET 1 OF 1

TITLE: M35 PB LITE, CLOSURE CAP, FEMALE, TRUNK
 DWG NO: C-P29043
 REV: A1
 SH: 1
 OF: 1