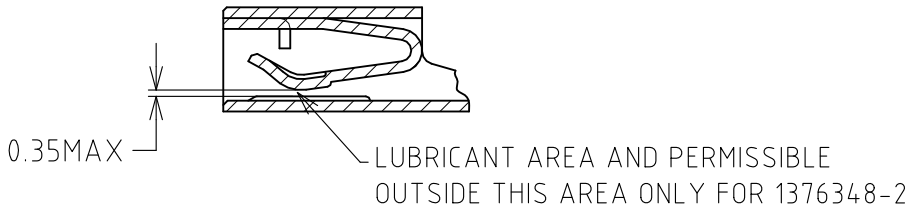
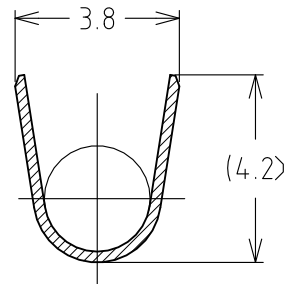
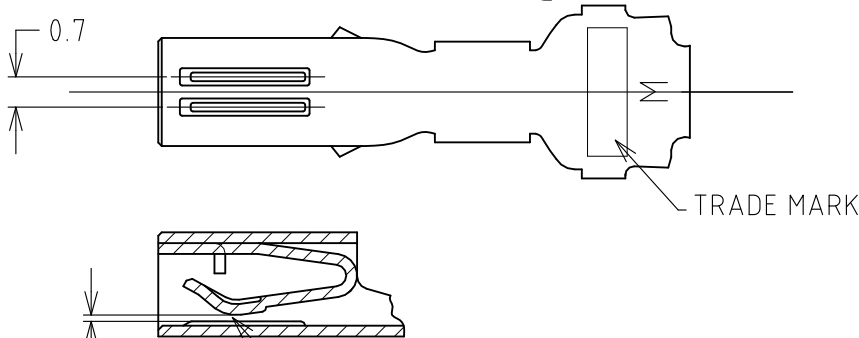
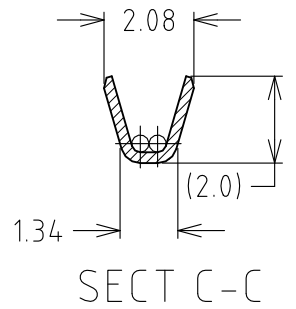
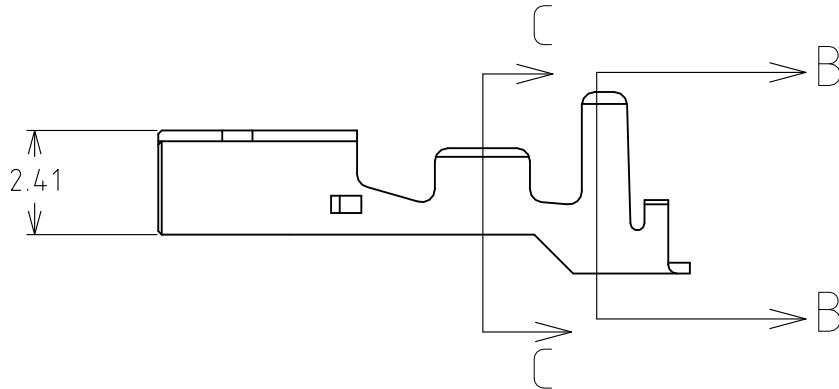
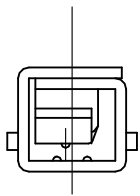
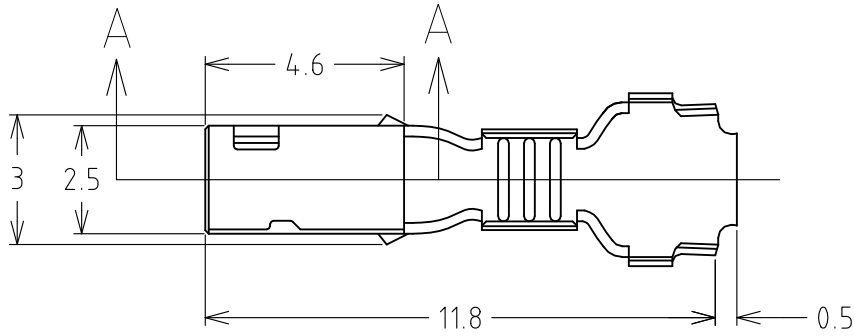


REVISIONS					
P	LTR	DESCRIPTION	DATE	DWN	APVD
	B4	REVISED	03APL2023	K.S	D.Z



SECT A-A

AWG#24~#20 (0.22~0.53mmsq)	1.7~2.7	1376348-2
AWG#24~#20 (0.22~0.53mmsq)	1.7~2.7	1376348-1
WIER RANGE	INSULATION DIA	型番 PART NO.

RELEASED FOR PUBLICATION

ALL RIGHTS RESERVED.

© COPYRIGHT - TE Connectivity

THIS DRAWING IS UNPUBLISHED.

DIMENSIONS:	
mm	
TOLERANCES UNLESS OTHERWISE SPECIFIED:	
0 PLC	±
1 PLC	±
2 PLC	±
3 PLC	±
4 PLC	± 0.25
ANGLES	± 2DEG

DWN	M.SUZUKI	16MAY2008
CHK	S.MANABE	19MAY08
APVD	S.MANABE	19MAY08
PRODUCT SPEC	108-5699	
APPLICATION SPEC	114-5292	
WEIGHT	0.000000	

MATERIAL	PRE-TIN COPPER ALLOY	FINISH	TIN
		TE Connectivity	
		NAME	
5.0 POWER KEY CONNECTOR REC CONTACT (M)			
SIZE	A4	CAGE CODE	00779
DRAWING NO	C-1376348		RESTRICTED TO
CUSTOMER DRAWING			SCALE 6:1
SHEET 1 OF 1		REV B4	