

WEC22H -


- 1
- 2
- 3
- 4
- 5

FUNCTION CODE	SWITCH FUNCTION DESCRIPTION
1	NORMALLY OPEN, MOMENTARY
2	NORMALLY OPEN, MAINTAINED
3	NORMALLY CLOSED, MOMENTARY
4	NORMALLY CLOSED, MAINTAINED

HOUSING CODE	HOUSING DESCRIPTION
1	STAINLESS STEEL
S	ALUMINUM ANODIZED SILVER
K	ALUMINUM ANODIZED BLACK

BUTTON CODE	BUTTON DESCRIPTION
02	HALO ILLUMINATION STAINLESS STEEL
03	HALO ILLUMINATION ALUMINUM ANODIZED SILVER
04	HALO ILLUMINATION ALUMINUM ANODIZED BLACK

LED COLOR CODE	COLOR
A	RGB
R	RED
G	GREEN
B	BLUE
RG	RED/GREEN
RB	RED/BLUE
GB	GREEN/BLUE

ICON CODE	ICON
03	 POWER/STANDBY
XX	CUSTOMIZED

MECHANICAL CHARACTERISTICS:

SWITCH FUNCTION : (PER CHART)
 PANEL THICKNESS : 0.5 - 4.5 mm
 NUT TORQUE FORCE : MAX 10 LB-in [11.5 kgf-cm]

ENVIRONMENTAL SPECIFICATIONS:

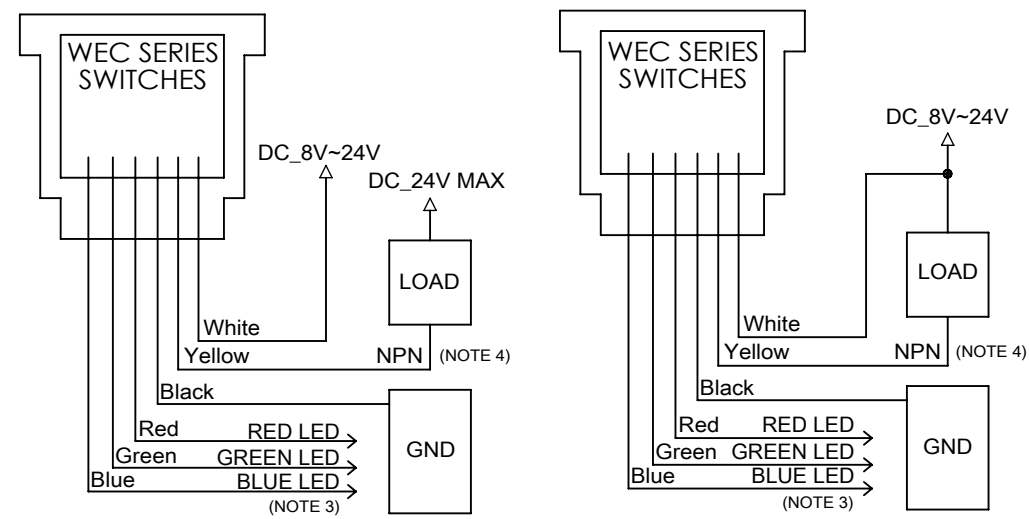
ACTUATOR INGRESS PROTECTION : IP68
 OPERATING TEMPERATURE : -40 to +185 F [-40 to +85 C]
 IMPACT RESISTANCE : IK10

ELECTRICAL SPECIFICATIONS:

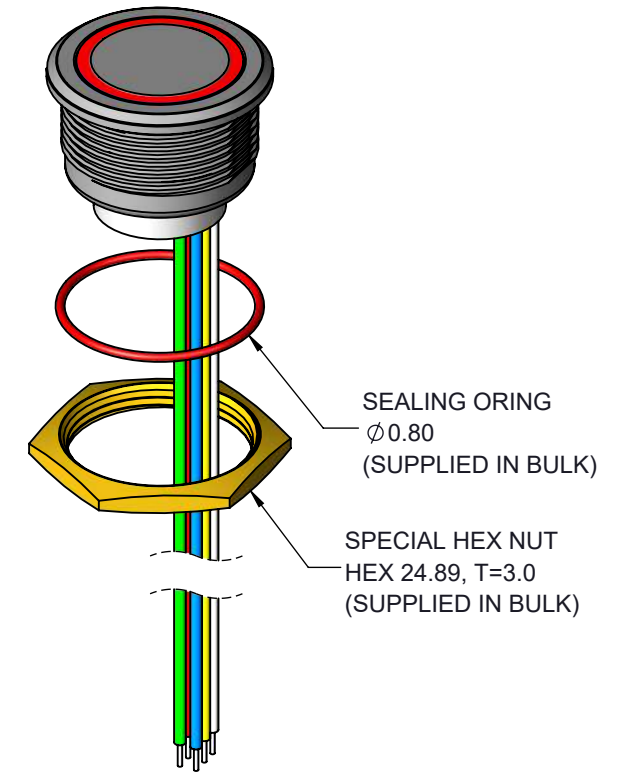
WORKING VOLTAGE : 8~24VDC
 OPEN COLLECTOR RATING : 1.5A MAX@24VDC MAX
 POWER CONSUMPTION : ACTIVE : 1.5mA / SLEEP : 3.5uA
 LED POWER CONSUMPTION : MAX 25mA
 ELECTRICAL LIFE : 10KK CYCLES NOMINAL
 ESD RESISTANCE: ±4KV
 CONTACT RESISTANCE : MAX 250 mOHMS (N-MOS TYPE)



NOTE

1. ACTIVATED BY A FINGER, EVEN WITH SURGEON GLOVES.
2. SUPPLY HEX NUT AND SEALING WASHER BULK PACKED.
3. THE WIRING METHOD FOR AN LED DISPLAY IS TO CONNECT THE COLORED CABLE TO THE GND.
4. NPN OUTPUT MEANS WHEN THE SENSOR SENSES AN OBJECT, IT WILL CONNECT THE OUTPUT TO THE GND.(OPEN COLLECTOR)



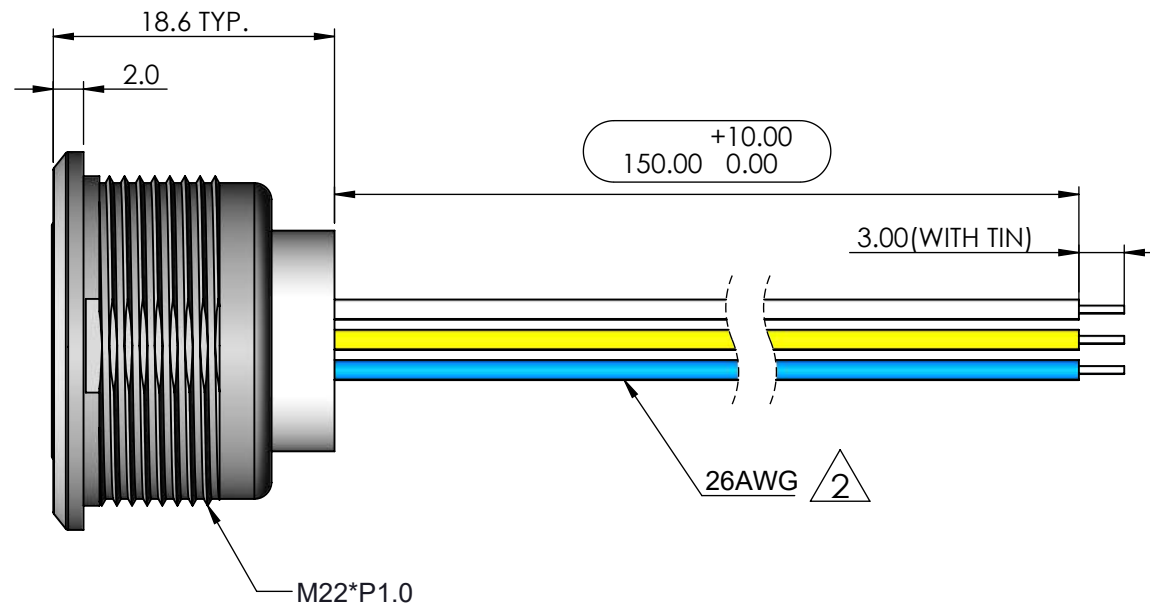
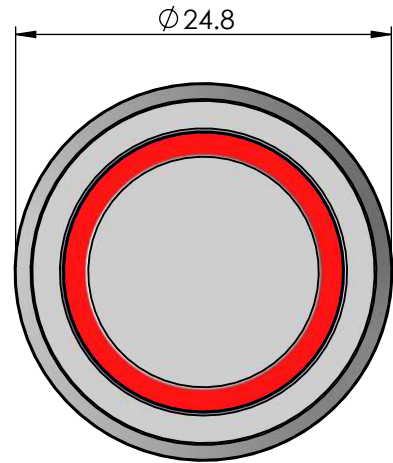
SUGGESTED CIRCUITRY



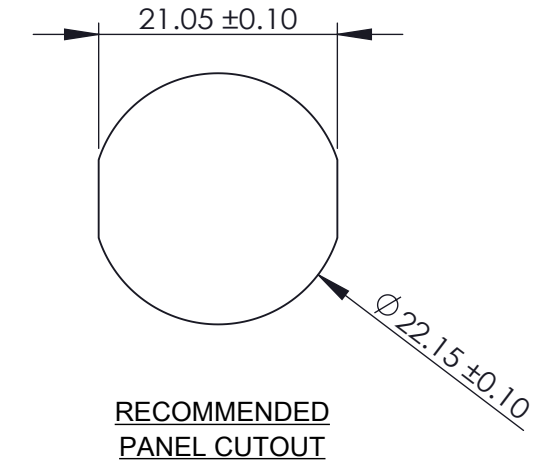
DWG TYPE SALES DRAWING	DRAWN <i>J.S.</i>	TOLERANCES: UNLESS OTHERWISE NOTED X.X ± 0.5 X.XX ± 0.1 ANGULAR ±1°	DWG TITLE WEC22H SERIES ELECTRIC CAPACITY SWITCHES		
STATUS RELEASE	REVIEW --	THIRD ANGLE PROJECTION 	DWG NO. WEC22H		
This document is the intellectual property of ITW Electronic Business Asia Co., Limited and may contain confidential, proprietary, privileged information protected by law. Neither this document nor any information it contains can be reproduced, transformed to any other format, or distributed, without written permission by ITW Electronic Business Asia Co., Limited. 本文作為安泰維百電股份有限公司之智慧財產，非經許可不得翻取、複製、轉變成其他形式使用或散佈			DATE 2021/06/09	REF: --	<input checked="" type="checkbox"/> 管制文件 <input type="checkbox"/> 非管制文件
			Unit MM	SCALE 3:2	REV 2
					RoHS Compliant
					SHEET 1 OF 3

△ 2 RING ILLUMINATION

△ 2 RING ILLUMINATION
(POWER/STANBY ICON)



WIRE COLOR	DESCRIPTION
WHITE	VOLTAGE IN
YELLOW	SIGNAL
BLACK	GROUND
RED	RED LED-
GREEN	GREEN LED-
BLUE	BLUE LED-



DWG TYPE SALES DRAWING	DRAWN J.S.	TOLERANCES: UNLESS OTHERWISE NOTED X.X ± 0.5 X.XX ± 0.1 ANGULAR ± 1°	DWG TITLE WEC22H SERIES ELECTRIC CAPACITY SWITCHES						
STATUS RELEASE	REVIEW --		DWG NO. WEC22H						
<small>This document is the intellectual property of ITW Electronic Business Asia Co., Limited and may contain confidential, proprietary, privileged information protected by law. Neither this document nor any information it contains can be reproduced, transformed to any other format, or distributed, without written permission by ITW Electronic Business Asia Co., Limited. 本文件為安達維百電股份有限公司之智慧財產，非經許可不得翻取、複製、轉變成其他形式使用或散佈。</small>			APPROVED V.W.	THIRD ANGLE PROJECTION 	Unit MM	SCALE 3:2	REV 2	RoHS Compliant	SHEET 2 OF 3
			DATE 2021/06/09	REF: --	<input checked="" type="checkbox"/> 管制文件 <input type="checkbox"/> 非管制文件				

REVISION RECORD

REV.	DESCRIPTION	DATE	DRAWN BY	DOCUMENT NO.
X1	SALES DRAWING FOR SAMPLE	2020.12.15	C.C.	--
1	RELEASE FOR PRODUCTION	2021.06.09	T.S.	DCN-202100054
2	ADD ILLUMINATION TYPE, PRODUCT CODE, NOTES	2023.07.13	T.S.	--

DWG TYPE SALES DRAWING	DRAWN <i>J.S.</i>	TOLERANCES: UNLESS OTHERWISE NOTED X.X ± 0.5 X.XX ± 0.1 ANGULAR ±1°	DWG TITLE WEC22H SERIES ELECTRIC CAPACITY SWITCHES								
STATUS RELEASE	REVIEW --		DWG NO. WEC22H								
<small>This document is the intellectual property of ITW Electronic Business Asia Co., Limited and may contain confidential, proprietary, privileged information protected by law. Neither this document nor any information it contains can be reproduced, transformed to any other format, or distributed, without written permission by ITW Electronic Business Asia Co., Limited. 本文件為安天德百電股份有限公司之智權財產，非經許可不得翻印、複製、轉變成其他形式使用或散佈</small>		APPROVED <i>v.w.</i>	THIRD ANGLE PROJECTION 	DATE 2021/06/09	REF: --	<input checked="" type="checkbox"/> 管制文件 <input type="checkbox"/> 非管制文件		Unit MM	SCALE 3:2	REV 2	RoHS Compliant