

ME-IO 18,8 EB 10U TBUS 7035 - Mounting base housing

1103440

<https://www.phoenixcontact.com/us/products/1103440>

Please be informed that the data shown in this PDF document is generated from our online catalog. Please find the complete data in the user documentation. Our general terms of use for downloads are valid.



DIN rail housing, Lower housing part with metal foot catch, with vents, width: 18.9 mm, height: 120.6 mm, depth: 82.85 mm, color: light grey (7035), cross connection: DIN rail connector (optional), number of positions cross connector: 5 or 8

Your advantages

- Easy, tool-free mounting
- Optional DIN rail connector for easy module-to-module communication
- Lock and Release principle for automatic latching and intuitive release of the front connection plug
- Plastic in accordance with UL94 V0: for more rigorous flammability requirements
- Versatile use: deeper design for more PCB space
- Greater flexibility: combination with ICS series electronics housing using DIN rail connectors

Commercial data

Item number	1103440
Packing unit	1 pc
Minimum order quantity	10 pc
Sales key	AC15
Product key	ACHEBA
GTIN	4055626966601
Weight per piece (including packing)	43.97 g
Weight per piece (excluding packing)	33.2 g
Customs tariff number	85389099
Country of origin	CN

ME-IO 18,8 EB 10U TBUS 7035 - Mounting base housing

1103440

<https://www.phoenixcontact.com/us/products/1103440>

Technical data

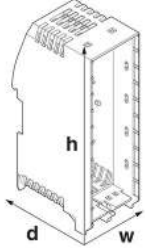
Notes

General	Refer to the data sheet for the range in the download area.
General	Material of contact pads for bus connector, galvanic gold (hard gold)

Product properties

Product type	Enclosure bottom part
Max. number of positions	48 (pitch: 3.45 mm)
	32 (pitch: 5 mm)
Type	Lower housing part with metal foot catch
Housing type	DIN rail housing
Ventilation openings present	yes
Housing series	ME-IO

Dimensions

Dimensional drawing	
Width	18.9 mm
Height	120.6 mm
Depth	82.85 mm
Depth from top edge of DIN rail	76.25 mm

PCB design

PCB thickness	1.4 mm ... 1.8 mm
---------------	-------------------

Material specifications

Color	light grey (7035)
Flammability rating according to UL 94	V0
Surface characteristics	untreated
Housing material	Polyamide

Environmental and real-life conditions

Power dissipation single housing for 20 °C

Ambient temperature	20 °C
Reduction factor	1
Mounting position	vertical

ME-IO 18,8 EB 10U TBUS 7035 - Mounting base housing



1103440

<https://www.phoenixcontact.com/us/products/1103440>

Power dissipation	11.8 W
-------------------	--------

Power dissipation single housing for 30 °C

Ambient temperature	30 °C
Reduction factor	0.81
Mounting position	vertical
Power dissipation	9.6 W

Power dissipation single housing for 40 °C

Ambient temperature	40 °C
Reduction factor	0.63
Mounting position	vertical
Power dissipation	7.5 W

Power dissipation single housing for 50 °C

Ambient temperature	50 °C
Reduction factor	0.46
Mounting position	vertical
Power dissipation	5.5 W

Power dissipation single housing for 60 °C

Ambient temperature	60 °C
Reduction factor	0.31
Mounting position	vertical
Power dissipation	3.7 W

Vibration test

Specification	IEC 60068-2-6:2007-12
Frequency	10 - 150 - 10 Hz
Sweep speed	1 octave/min
Amplitude	0.15 mm (10 Hz ... 58.1 Hz)
Acceleration	2g (58.1 Hz ... 150 Hz)
Test duration per axis	2.5 h
Test directions	X-, Y- and Z-axis

Glow-wire test

Specification	IEC 60695-2-11:2014-02
Temperature	850 °C
Time of exposure	30 s

Thermal stability / ball thrust test

Specification	IEC 60695-10-2:2014-02
Temperature	125 °C
Test duration	1 h
Force	20 N

Mechanical strength / tumbling barrel

Specification	IEC 60068-2-31:2008-05
---------------	------------------------

ME-IO 18,8 EB 10U TBUS 7035 - Mounting base housing



1103440

<https://www.phoenixcontact.com/us/products/1103440>

Height of fall	50 cm
Frequency	50

Shocks

Specification	IEC 60068-2-27:2008-02
Pulse shape	Semi-sinusoidal
Acceleration	15g
Shock duration	11 ms
Number of shocks per direction	3
Test directions	X-, Y- and Z-axis (pos. and neg.)

Test for substances that would hinder coating with paint or varnish

Specification	VDMA 24364:2018-05
---------------	--------------------

Degree of protection (IP code)

Specification	IEC 60529:1989-11 + AMD 1:1999-11 + AMD 2:2013-08
---------------	---

Ambient conditions

Max. IP code to attain	IP20
Ambient temperature (operation)	-40 °C ... 105 °C (depending on power dissipation)
Ambient temperature (storage/transport)	-40 °C ... 55 °C
Ambient temperature (assembly)	-5 °C ... 100 °C
Relative humidity (storage/transport)	80 %

PCB data

Number of PCB holders	1
Type of PCB mount	Latching
Total PCB surface	8500 mm ²
Thickness of the PCB	1.4 mm ... 1.8 mm

Mounting

Mounting type	DIN rail mounting
Mounting position	Vertical (horizontal DIN rail)

Packaging specifications

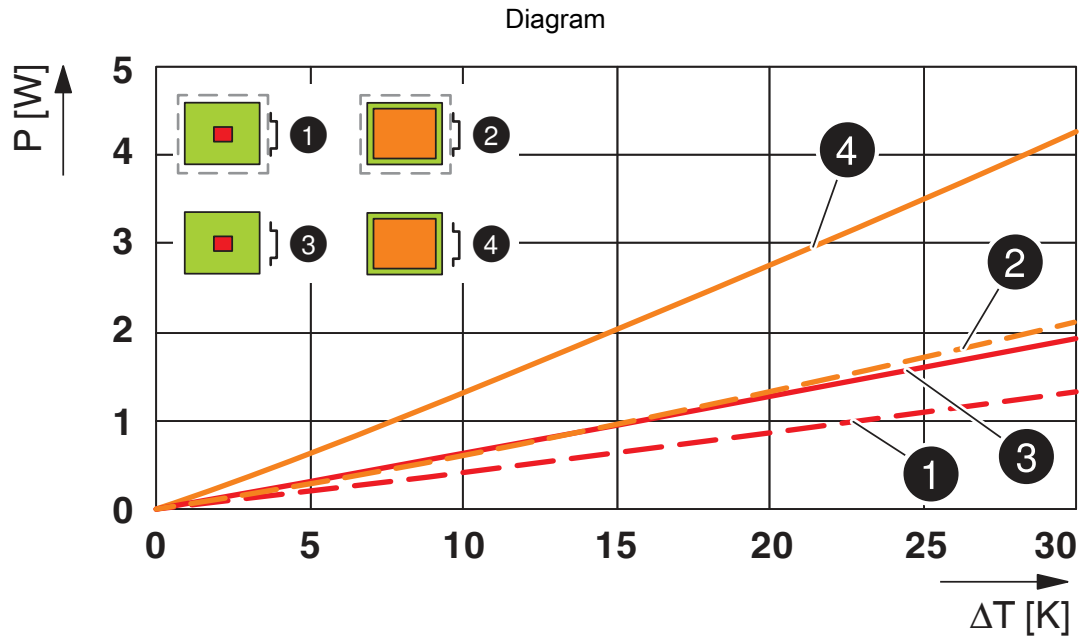
Type of packaging	packed in cardboard
Outer packaging type	Carton

ME-IO 18,8 EB 10U TBUS 7035 - Mounting base housing

1103440

<https://www.phoenixcontact.com/us/products/1103440>

Drawings



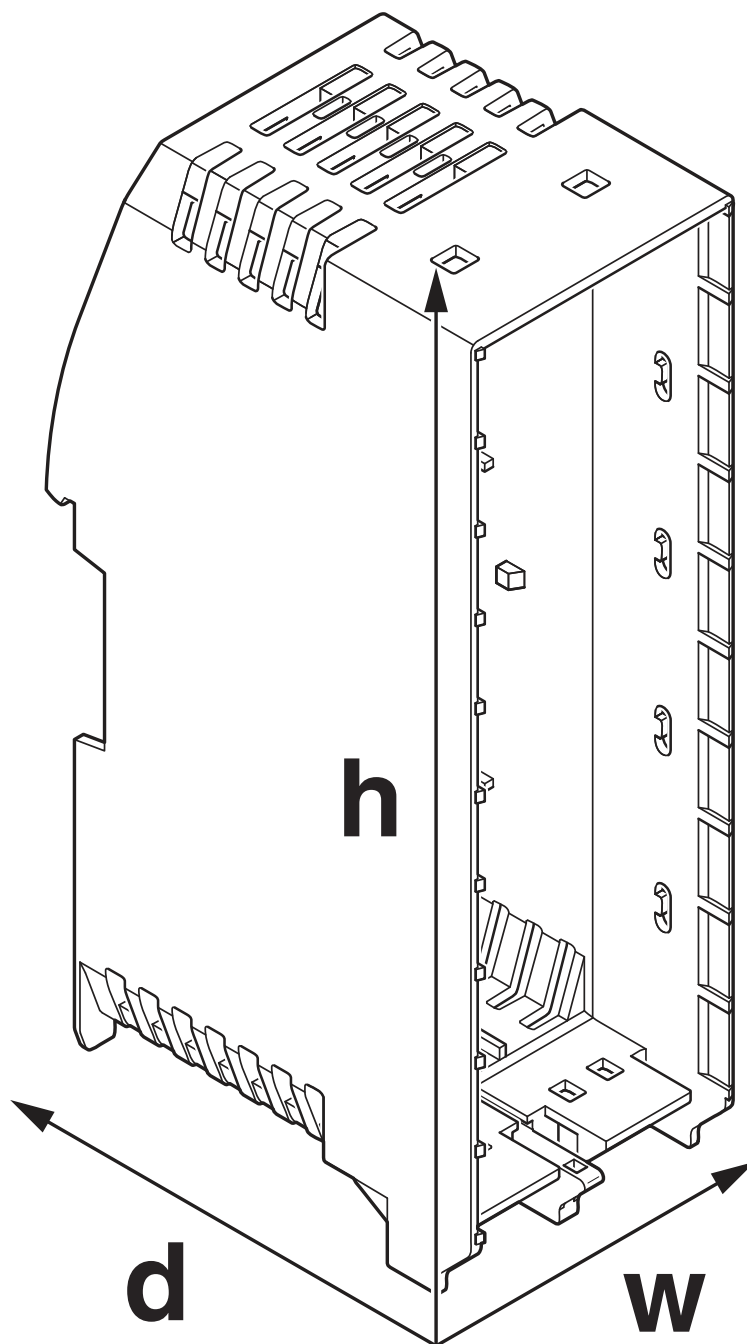
Power dissipation diagram for 0 K ... 30 K

ME-IO 18,8 EB 10U TBUS 7035 - Mounting base housing

1103440

<https://www.phoenixcontact.com/us/products/1103440>

Dimensional drawing



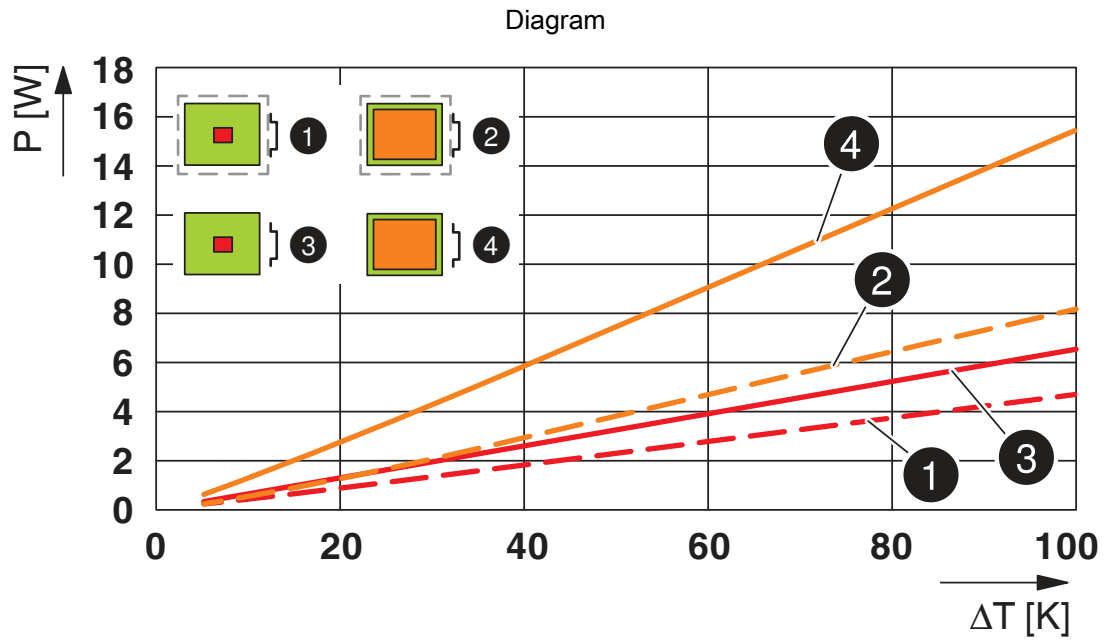
Schematic figure for illustrating the item dimensions. The figure is not of the desired product. For further details, refer to the product drawings in the "Downloads" tab.

ME-IO 18,8 EB 10U TBUS 7035 - Mounting base housing



1103440

<https://www.phoenixcontact.com/us/products/1103440>



Power dissipation diagram for 0 K ... 100 K

ME-IO 18,8 EB 10U TBUS 7035 - Mounting base housing



1103440

<https://www.phoenixcontact.com/us/products/1103440>

Classifications

ECLASS

ECLASS-11.0	27182702
ECLASS-13.0	27190601

ETIM

ETIM 8.0	EC001031
----------	----------

UNSPSC

UNSPSC 21.0	31261500
-------------	----------

ME-IO 18,8 EB 10U TBUS 7035 - Mounting base housing



1103440

<https://www.phoenixcontact.com/us/products/1103440>

Environmental product compliance

China RoHS	Environmentally friendly use period: unlimited = EFUP-e
	No hazardous substances above threshold values

ME-IO 18,8 EB 10U TBUS 7035 - Mounting base housing



1103440

<https://www.phoenixcontact.com/us/products/1103440>

Mandatory accessories

ME-IO 18,8 F-LR 7035 - Filler plugs

2202635

<https://www.phoenixcontact.com/us/products/2202635>



DIN rail housing, Filler plugs, for closing the Lock and Release area, width: 11.7 mm, height: 16.1 mm, depth: 10.6 mm, color: light grey (7035)

Accessories

ME-IO 18,8 C 2U 7035 - Housing cover

2201799

<https://www.phoenixcontact.com/us/products/2201799>



DIN rail housing, 2U, Housing cover, width: 18.9 mm, height: 21.8 mm, depth: 26 mm, color: light grey (7035)

ME-IO 18,8 EB 10U TBUS 7035 - Mounting base housing

1103440

<https://www.phoenixcontact.com/us/products/1103440>

ME-IO 18,8 C 3U 7035 - Housing cover

2201800

<https://www.phoenixcontact.com/us/products/2201800>



DIN rail housing, 3U, Housing cover, width: 18.9 mm, height: 32.8 mm, depth: 26 mm, color: light grey (7035)

ME-IO 18,8 C 3U S1 7035 - Housing cover

2201801

<https://www.phoenixcontact.com/us/products/2201801>



DIN rail housing, 3U, Housing cover, width: 18.9 mm, height: 32.8 mm, depth: 26 mm, color: light grey (7035)

ME-IO 18,8 EB 10U TBUS 7035 - Mounting base housing

1103440

<https://www.phoenixcontact.com/us/products/1103440>

ME-IO 18,8 C 4U 7035 - Housing cover

2201802

<https://www.phoenixcontact.com/us/products/2201802>



DIN rail housing, 4U, Housing cover, width: 18.9 mm, height: 43.8 mm, depth: 26 mm, color: light grey (7035)

ME-IO 18,8 C 5U 7035 - Housing cover

2201803

<https://www.phoenixcontact.com/us/products/2201803>



DIN rail housing, 5U, Housing cover, width: 18.9 mm, height: 54.8 mm, depth: 26 mm, color: light grey (7035)

ME-IO 18,8 EB 10U TBUS 7035 - Mounting base housing



1103440

<https://www.phoenixcontact.com/us/products/1103440>

ME-IO 18,8 C 6U 7035 - Housing cover

2201804

<https://www.phoenixcontact.com/us/products/2201804>



DIN rail housing, 6U, Housing cover, width: 18.9 mm, height: 65.8 mm, depth: 26 mm, color: light grey (7035)

ME-IO 18,8 C 7U 7035 - Housing cover

2201805

<https://www.phoenixcontact.com/us/products/2201805>



DIN rail housing, 7U, Housing cover, width: 18.9 mm, height: 76.8 mm, depth: 26 mm, color: light grey (7035)

ME-IO 18,8 EB 10U TBUS 7035 - Mounting base housing

1103440

<https://www.phoenixcontact.com/us/products/1103440>

ME-IO 18,8 C 9U 7035 - Housing cover

2201806

<https://www.phoenixcontact.com/us/products/2201806>



DIN rail housing, 9U, Housing cover, width: 18.9 mm, height: 98.8 mm, depth: 26 mm, color: light grey (7035)

ME-IO 18,8 C 2U MC18 7035 - Housing cover

2202581

<https://www.phoenixcontact.com/us/products/2202581>



DIN rail housing, 2U for marking lid, Housing cover, width: 18.9 mm, height: 21.9 mm, depth: 26 mm, color: light grey (7035)

ME-IO 18,8 EB 10U TBUS 7035 - Mounting base housing

1103440

<https://www.phoenixcontact.com/us/products/1103440>

ME-IO 18,8 C 2U MC10 7035 - Housing cover

2202582

<https://www.phoenixcontact.com/us/products/2202582>



DIN rail housing, 2U for marking lid, Housing cover, width: 18.9 mm, height: 21.9 mm, depth: 26 mm, color: light grey (7035)

ME-IO 18,8 C 2U MC 7035 - Housing cover

2202616

<https://www.phoenixcontact.com/us/products/2202616>



DIN rail housing, 2U for marking lid, Housing cover, width: 18.9 mm, height: 21.9 mm, depth: 26 mm, color: light grey (7035)

ME-IO 18,8 EB 10U TBUS 7035 - Mounting base housing



1103440

<https://www.phoenixcontact.com/us/products/1103440>

ME-IO 18,8 MC 8U TRANS - Marking lid

2202627

<https://www.phoenixcontact.com/us/products/2202627>



DIN rail housing, 8U, Marking lid, width: 18.8 mm, height: 110.95 mm, color: transparent

ME-IO 18,8 C 10U 7035 - Housing cover

2202630

<https://www.phoenixcontact.com/us/products/2202630>



DIN rail housing, 10U, Housing cover, width: 18.9 mm, height: 109.8 mm, depth: 26 mm, color: light grey (7035)

ME-IO 18,8 EB 10U TBUS 7035 - Mounting base housing

1103440

<https://www.phoenixcontact.com/us/products/1103440>

ME-IO 18,8 C 8U 7035 - Housing cover

2202634

<https://www.phoenixcontact.com/us/products/2202634>



DIN rail housing, 8U, Housing cover, width: 18.9 mm, height: 87.8 mm, depth: 26 mm, color: light grey (7035)

HSCP-SP 2,5-1U02-7035 - Printed-circuit board connector

1081099

<https://www.phoenixcontact.com/us/products/1081099>



PCB connector, nominal cross section: 2.5 mm², color: light grey, nominal current: 8 A, rated voltage (III/2): 320 V, contact surface: Tin, contact connection type: Socket, number of potentials: 2, number of rows: 2, number of positions: 2, number of connections: 2, product range: HSCP-SP 2,5-..., pitch: 5 mm, connection method: Push-in spring connection, conductor/PCB connection direction: 0 °, locking clip: - Locking clip, plug-in system: HSC 2,5, locking: without, mounting: without, type of packaging: packed in cardboard, Color of the spring lever: orange

ME-IO 18,8 EB 10U TBUS 7035 - Mounting base housing

1103440

<https://www.phoenixcontact.com/us/products/1103440>

HSCP-SP 2,5-1U4-62/62-7035 - Printed-circuit board connector

1081107

<https://www.phoenixcontact.com/us/products/1081107>



PCB connector, nominal cross section: 2.5 mm², color: light grey, nominal current: 8 A, rated voltage (III/2): 320 V, contact surface: Tin, contact connection type: Socket, number of potentials: 4, number of rows: 2, number of positions: 4, number of connections: 4, product range: HSCP-SP 2,5-..., pitch: 5 mm, connection method: Push-in spring connection, conductor/PCB connection direction: 0 °, locking clip: - Locking clip, plug-in system: HSC 2,5, locking: without, mounting: without, type of packaging: packed in cardboard, Spring opener color: blue, red/blue, red

HSCH 2,5-2U-22TT 9005 - PCB header

1087700

<https://www.phoenixcontact.com/us/products/1087700>



PCB headers, nominal cross section: 2.5 mm², color: black, nominal current: 8 A, rated voltage (III/2): 320 V, contact connection type: Pin, number of potentials: 6, number of rows: 2, number of positions: 6, number of connections: 6, product range: HSCH 2,5/-G, pitch: 5 mm, mounting: Wave soldering, pin layout: Mixed pinning, solder pin [P]: 3.8 mm, number of solder pins per potential: 1, plug-in system: HSC 2,5, Pin connector pattern alignment: Standard, locking: without, mounting: without, type of packaging: packed in cardboard, Partially assembled version

ME-IO 18,8 EB 10U TBUS 7035 - Mounting base housing

1103440

<https://www.phoenixcontact.com/us/products/1103440>

HSCP-SP 2,5-1U4-24/24-7035 - Printed-circuit board connector

1088581

<https://www.phoenixcontact.com/us/products/1088581>



PCB connector, nominal cross section: 2.5 mm², color: light grey, nominal current: 8 A, rated voltage (III/2): 320 V, contact surface: Tin, contact connection type: Socket, number of potentials: 4, number of rows: 2, number of positions: 4, number of connections: 4, product range: HSCP-SP 2,5-..., pitch: 5 mm, connection method: Push-in spring connection, conductor/PCB connection direction: 0 °, locking clip: - Locking clip, plug-in system: HSC 2,5, locking: without, mounting: without, type of packaging: packed in cardboard, Color of the spring levers: red, yellow / red, yellow

HSCP-SP 2,5-1U4-56/56-7035 - Printed-circuit board connector

1088582

<https://www.phoenixcontact.com/us/products/1088582>



PCB connector, nominal cross section: 2.5 mm², color: light grey, nominal current: 8 A, rated voltage (III/2): 320 V, contact surface: Tin, contact connection type: Socket, number of potentials: 4, number of rows: 2, number of positions: 4, number of connections: 4, product range: HSCP-SP 2,5-..., pitch: 5 mm, connection method: Push-in spring connection, conductor/PCB connection direction: 0 °, locking clip: - Locking clip, plug-in system: HSC 2,5, locking: without, mounting: without, type of packaging: packed in cardboard, Color of the spring levers: green, blue / green, blue

ME-IO 18,8 EB 10U TBUS 7035 - Mounting base housing

1103440

<https://www.phoenixcontact.com/us/products/1103440>

HSCP-SP 2,5-1UTT-02/02-7035 - Printed-circuit board connector

1135246

<https://www.phoenixcontact.com/us/products/1135246>



PCB connector, nominal cross section: 2.5 mm², color: light grey, nominal current: 8 A, rated voltage (III/2): 320 V, contact surface: Tin, contact connection type: Socket, number of potentials: 2, number of rows: 2, number of positions: 2, number of connections: 4, product range: HSCP-SP 2,5-..., pitch: 5 mm, connection method: Push-in spring connection, conductor/PCB connection direction: 0 °, locking clip: - Locking clip, plug-in system: HSC 2,5, locking: without, mounting: without, type of packaging: packed in cardboard, Color of the spring levers: black, red / black, red

HSCP-SP 2,5-1U4-99/99-9005 - Printed-circuit board connector

1211074

<https://www.phoenixcontact.com/us/products/1211074>



PCB connector, nominal cross section: 2.5 mm², color: black, nominal current: 8 A, rated voltage (III/2): 320 V, contact surface: Tin, contact connection type: Socket, number of potentials: 4, number of rows: 2, number of positions: 4, number of connections: 4, product range: HSCP-SP 2,5-..., pitch: 5 mm, connection method: Push-in spring connection, conductor/PCB connection direction: 0 °, locking clip: - Locking clip, plug-in system: HSC 2,5, locking: without, mounting: without, type of packaging: packed in cardboard, Color of the spring levers: white

ME-IO 18,8 EB 10U TBUS 7035 - Mounting base housing

1103440

<https://www.phoenixcontact.com/us/products/1103440>

HSCP-SP 2,5-1U4-7035 - Printed-circuit board connector

2201780

<https://www.phoenixcontact.com/us/products/2201780>



PCB connector, nominal cross section: 2.5 mm², color: light grey, nominal current: 8 A, rated voltage (III/2): 320 V, contact surface: Tin, contact connection type: Socket, number of potentials: 4, number of rows: 2, number of positions: 4, number of connections: 4, product range: HSCP-SP 2,5-..., pitch: 5 mm, connection method: Push-in spring connection, conductor/PCB connection direction: 0 °, locking clip: - Locking clip, plug-in system: HSC 2,5, locking: without, mounting: without, type of packaging: packed in cardboard, Color of the spring lever: orange

HSCP-SP 2,5-1UTT-7035 - Printed-circuit board connector

2201781

<https://www.phoenixcontact.com/us/products/2201781>



PCB connector, nominal cross section: 2.5 mm², color: light grey, nominal current: 8 A, rated voltage (III/2): 320 V, contact surface: Tin, contact connection type: Socket, number of potentials: 2, number of rows: 2, number of positions: 2, number of connections: 4, product range: HSCP-SP 2,5-..., pitch: 5 mm, connection method: Push-in spring connection, conductor/PCB connection direction: 0 °, locking clip: - Locking clip, plug-in system: HSC 2,5, locking: without, mounting: without, type of packaging: packed in cardboard, Color of the spring lever: orange

ME-IO 18,8 EB 10U TBUS 7035 - Mounting base housing

1103440

<https://www.phoenixcontact.com/us/products/1103440>

HSCP-SP 2,5-1U20-7035 - Printed-circuit board connector

2201782

<https://www.phoenixcontact.com/us/products/2201782>



PCB connector, nominal cross section: 2.5 mm², color: light grey, nominal current: 8 A, rated voltage (III/2): 320 V, contact surface: Tin, contact connection type: Socket, number of potentials: 2, number of rows: 2, number of positions: 2, number of connections: 2, product range: HSCP-SP 2,5-..., pitch: 5 mm, connection method: Push-in spring connection, conductor/PCB connection direction: 0 °, locking clip: - Locking clip, plug-in system: HSC 2,5, locking: without, mounting: without, type of packaging: packed in cardboard, Color of the spring lever: orange

HSCH 2,5-3U/12 9005 - PCB header

2201788

<https://www.phoenixcontact.com/us/products/2201788>



PCB headers, nominal cross section: 2.5 mm², color: black, nominal current: 8 A, rated voltage (III/2): 320 V, contact surface: Tin, contact connection type: Pin, number of potentials: 12, number of rows: 2, number of positions: 12, number of connections: 12, product range: HSCH 2,5/...-G, pitch: 5 mm, mounting: Wave soldering, pin layout: Linear pinning, solder pin [P]: 3.8 mm, number of solder pins per potential: 1, plug-in system: HSC 2,5, Pin connector pattern alignment: Standard, locking: without, mounting: without, type of packaging: packed in cardboard

ME-IO 18,8 EB 10U TBUS 7035 - Mounting base housing

1103440

<https://www.phoenixcontact.com/us/products/1103440>

HSCH 2,5-2U/ 8 9005 - PCB header

2201789

<https://www.phoenixcontact.com/us/products/2201789>



PCB headers, nominal cross section: 2.5 mm², color: black, nominal current: 8 A, rated voltage (III/2): 320 V, contact surface: Tin, contact connection type: Pin, number of potentials: 8, number of rows: 2, number of positions: 8, number of connections: 8, product range: HSCH 2,5/..-G, pitch: 5 mm, mounting: Wave soldering, pin layout: Linear pinning, solder pin [P]: 3.8 mm, number of solder pins per potential: 1, plug-in system: HSC 2,5, Pin connector pattern alignment: Standard, locking: without, mounting: without, type of packaging: packed in cardboard

HSCH 2,5-2U-TTTT 9005 - PCB header

2201790

<https://www.phoenixcontact.com/us/products/2201790>



PCB headers, nominal cross section: 2.5 mm², color: black, nominal current: 8 A, rated voltage (III/2): 320 V, contact surface: Tin, contact connection type: Pin, number of potentials: 4, number of rows: 2, number of positions: 4, number of connections: 4, product range: HSCH 2,5/..-G, pitch: 5 mm, mounting: Wave soldering, pin layout: Linear pinning, solder pin [P]: 3.8 mm, number of solder pins per potential: 1, plug-in system: HSC 2,5, Pin connector pattern alignment: Standard, locking: without, mounting: without, type of packaging: packed in cardboard, Partially assembled version

ME-IO 18,8 EB 10U TBUS 7035 - Mounting base housing

1103440

<https://www.phoenixcontact.com/us/products/1103440>

HSCH 2,5-2U-2220 9005 - PCB header

2201792

<https://www.phoenixcontact.com/us/products/2201792>



PCB headers, nominal cross section: 2.5 mm², color: black, nominal current: 8 A, rated voltage (III/2): 320 V, contact surface: Tin, contact connection type: Pin, number of potentials: 6, number of rows: 2, number of positions: 6, number of connections: 6, product range: HSCH 2,5/..-G, pitch: 5 mm, mounting: Wave soldering, pin layout: Mixed pinning, solder pin [P]: 3.8 mm, number of solder pins per potential: 1, plug-in system: HSC 2,5, Pin connector pattern alignment: Standard, locking: without, mounting: without, type of packaging: packed in cardboard, Partially assembled version

HSCH 1,5-3U/18 9005 - PCB header

2202232

<https://www.phoenixcontact.com/us/products/2202232>



PCB headers, nominal cross section: 1.5 mm², color: black, nominal current: 8 A, rated voltage (III/2): 160 V, contact surface: Tin, contact connection type: Pin, number of potentials: 18, number of rows: 2, number of positions: 18, number of connections: 18, product range: HSCH 1,5/..-G, pitch: 3.45 mm, mounting: Wave soldering, pin layout: Linear pinning, solder pin [P]: 3.8 mm, number of solder pins per potential: 1, plug-in system: HSC 1,5, Pin connector pattern alignment: Standard, locking: without, mounting: without, type of packaging: packed in cardboard

ME-IO 18,8 EB 10U TBUS 7035 - Mounting base housing

1103440

<https://www.phoenixcontact.com/us/products/1103440>

HSCH 1,5-2U/12 9005 - PCB header

2202233

<https://www.phoenixcontact.com/us/products/2202233>



PCB headers, nominal cross section: 1.5 mm², color: black, nominal current: 8 A, rated voltage (III/2): 160 V, contact surface: Tin, contact connection type: Pin, number of potentials: 12, number of rows: 2, number of positions: 12, number of connections: 12, product range: HSCH 1,5/..-G, pitch: 3.45 mm, mounting: Wave soldering, pin layout: Linear pinning, solder pin [P]: 3.8 mm, number of solder pins per potential: 1, plug-in system: HSC 1,5, Pin connector pattern alignment: Standard, locking: without, mounting: without, type of packaging: packed in cardboard

HSCP-SP 1,5-1U6-7035 - Printed-circuit board connector

2202234

<https://www.phoenixcontact.com/us/products/2202234>



PCB connector, nominal cross section: 1.5 mm², color: light grey, nominal current: 8 A, rated voltage (III/2): 160 V, contact surface: Tin, contact connection type: Socket, number of potentials: 6, number of rows: 2, number of positions: 6, number of connections: 6, product range: HSCP-SP 1,5-..., pitch: 3.45 mm, connection method: Push-in spring connection, conductor/PCB connection direction: 0 °, locking clip: - Locking clip, plug-in system: HSC 1,5, locking: without, mounting: without, type of packaging: packed in cardboard, Color of the spring lever: orange

ME-IO 18,8 EB 10U TBUS 7035 - Mounting base housing

1103440

<https://www.phoenixcontact.com/us/products/1103440>

HSCP-SP 2,5-1U4-44/44-7035 - Printed-circuit board connector

2202567

<https://www.phoenixcontact.com/us/products/2202567>



PCB connector, nominal cross section: 2.5 mm², color: light grey, nominal current: 8 A, rated voltage (III/2): 320 V, contact surface: Tin, contact connection type: Socket, number of potentials: 4, number of rows: 2, number of positions: 4, number of connections: 4, product range: HSCP-SP 2,5-..., pitch: 5 mm, connection method: Push-in spring connection, conductor/PCB connection direction: 0 °, locking clip: - Locking clip, plug-in system: HSC 2,5, locking: without, mounting: without, type of packaging: packed in cardboard, Color of the spring levers: yellow, yellow / yellow, yellow

HSCP-SP 2,5-1U4-99/99-7035 - Printed-circuit board connector

2202568

<https://www.phoenixcontact.com/us/products/2202568>



PCB connector, nominal cross section: 2.5 mm², color: light grey, nominal current: 8 A, rated voltage (III/2): 320 V, contact surface: Tin, contact connection type: Socket, number of potentials: 4, number of rows: 2, number of positions: 4, number of connections: 4, product range: HSCP-SP 2,5-..., pitch: 5 mm, connection method: Push-in spring connection, conductor/PCB connection direction: 0 °, locking clip: - Locking clip, plug-in system: HSC 2,5, locking: without, mounting: without, type of packaging: packed in cardboard, Color of the spring levers: white, white / white, white

ME-IO 18,8 EB 10U TBUS 7035 - Mounting base housing

1103440

<https://www.phoenixcontact.com/us/products/1103440>

HSCP-SP 2,5-1U4-00/00-7035 - Printed-circuit board connector

2202569

<https://www.phoenixcontact.com/us/products/2202569>



PCB connector, nominal cross section: 2.5 mm², color: light grey, nominal current: 8 A, rated voltage (III/2): 320 V, contact surface: Tin, contact connection type: Socket, number of potentials: 4, number of rows: 2, number of positions: 4, number of connections: 4, product range: HSCP-SP 2,5-..., pitch: 5 mm, connection method: Push-in spring connection, conductor/PCB connection direction: 0 °, locking clip: - Locking clip, plug-in system: HSC 2,5, locking: without, mounting: without, type of packaging: packed in cardboard, Color of the spring levers: black, black / black, black

HSCP-SP 2,5-1U4-66/66-7035 - Printed-circuit board connector

2202570

<https://www.phoenixcontact.com/us/products/2202570>



PCB connector, nominal cross section: 2.5 mm², color: light grey, nominal current: 8 A, rated voltage (III/2): 320 V, contact surface: Tin, contact connection type: Socket, number of potentials: 4, number of rows: 2, number of positions: 4, number of connections: 4, product range: HSCP-SP 2,5-..., pitch: 5 mm, connection method: Push-in spring connection, conductor/PCB connection direction: 0 °, locking clip: - Locking clip, plug-in system: HSC 2,5, locking: without, mounting: without, type of packaging: packed in cardboard, Color of the spring levers: blue, blue / blue, blue

ME-IO 18,8 EB 10U TBUS 7035 - Mounting base housing

1103440

<https://www.phoenixcontact.com/us/products/1103440>

HSCP-SP 2,5-1U4-55/55-7035 - Printed-circuit board connector

2202571

<https://www.phoenixcontact.com/us/products/2202571>



PCB connector, nominal cross section: 2.5 mm², color: light grey, nominal current: 8 A, rated voltage (III/2): 320 V, contact surface: Tin, contact connection type: Socket, number of potentials: 4, number of rows: 2, number of positions: 4, number of connections: 4, product range: HSCP-SP 2,5-..., pitch: 5 mm, connection method: Push-in spring connection, conductor/PCB connection direction: 0 °, locking clip: - Locking clip, plug-in system: HSC 2,5, locking: without, mounting: without, type of packaging: packed in cardboard, Color of the spring levers: green, green / green, green

HSCP-SP 2,5-1U4-22/22-7035 - Printed-circuit board connector

2202572

<https://www.phoenixcontact.com/us/products/2202572>



PCB connector, nominal cross section: 2.5 mm², color: light grey, nominal current: 8 A, rated voltage (III/2): 320 V, contact surface: Tin, contact connection type: Socket, number of rows: 2, number of positions: 4, number of connections: 4, product range: HSCP-SP 2,5-..., pitch: 5 mm, connection method: Push-in spring connection, conductor/PCB connection direction: 0 °, locking clip: - Locking clip, plug-in system: HSC 2,5, locking: without, mounting: without, type of packaging: packed in cardboard, Color of the spring levers: red, red / red, red

ME-IO 18,8 EB 10U TBUS 7035 - Mounting base housing

1103440

<https://www.phoenixcontact.com/us/products/1103440>

HSCP-SP 2,5-1U4-99/99-3000 - Printed-circuit board connector

1003852

<https://www.phoenixcontact.com/us/products/1003852>



PCB connector, nominal cross section: 2.5 mm², color: 火红色, nominal current: 8 A, rated voltage (III/2): 320 V, contact connection type: Socket, number of rows: 2, number of positions: 4, product range: HSCP-SP 2,5-..., pitch: 5 mm, connection method: Push-in spring connection, conductor/PCB connection direction: 0 °, locking clip: - Locking clip, plug-in system: HSC 2,5, locking: without, mounting: without, type of packaging: packed in cardboard, Color of the spring levers: white, white / white, white

HSCH 2,5-2U/ 8 THR 9005 - PCB header

2203405

<https://www.phoenixcontact.com/us/products/2203405>



PCB headers, nominal cross section: 2.5 mm², color: black, nominal current: 8 A, rated voltage (III/2): 250 V, contact surface: Tin, contact connection type: Pin, number of potentials: 8, number of rows: 2, number of positions: 8, number of connections: 8, product range: HSCH 2,5/..-G-THR, pitch: 5 mm, mounting: THR soldering, pin layout: Linear pinning, solder pin [P]: 2.3 mm, number of solder pins per potential: 1, plug-in system: HSC 2,5, Pin connector pattern alignment: Standard, locking: without, mounting: without, type of packaging: 44 mm wide tape

ME-IO 18,8 EB 10U TBUS 7035 - Mounting base housing

1103440

<https://www.phoenixcontact.com/us/products/1103440>

HSCH 2,5-3U/12 THR 9005 - PCB header

2203406

<https://www.phoenixcontact.com/us/products/2203406>



PCB headers, nominal cross section: 2.5 mm², color: black, nominal current: 8 A, rated voltage (III/2): 250 V, contact surface: Tin, contact connection type: Pin, number of potentials: 12, number of rows: 2, number of positions: 12, number of connections: 12, product range: HSCH 2,5/...-G-THR, pitch: 5 mm, mounting: THR soldering, pin layout: Linear pinning, solder pin [P]: 2.3 mm, number of solder pins per potential: 1, plug-in system: HSC 2,5, Pin connector pattern alignment: Standard, locking: without, mounting: without, type of packaging: 56 mm wide tape

HSCH 1,5-3U/18 THR 9005 - PCB header

2203408

<https://www.phoenixcontact.com/us/products/2203408>



PCB headers, nominal cross section: 1.5 mm², color: black, nominal current: 8 A, rated voltage (III/2): 160 V, contact surface: Tin, contact connection type: Pin, number of potentials: 18, number of rows: 2, number of positions: 18, number of connections: 18, product range: HSCH 1,5/...-G-THR, pitch: 3.45 mm, mounting: THR soldering, pin layout: Linear pinning, solder pin [P]: 2.3 mm, number of solder pins per potential: 1, plug-in system: HSC 1,5, Pin connector pattern alignment: Standard, locking: without, mounting: without, type of packaging: 56 mm wide tape

ME-IO 18,8 EB 10U TBUS 7035 - Mounting base housing

1103440

<https://www.phoenixcontact.com/us/products/1103440>

HSCH 1,5-2U/12 THR 9005 - PCB header

2203409

<https://www.phoenixcontact.com/us/products/2203409>



PCB headers, nominal cross section: 1.5 mm², color: black, nominal current: 8 A, rated voltage (III/2): 160 V, contact surface: Tin, contact connection type: Pin, number of potentials: 12, number of rows: 2, number of positions: 12, number of connections: 12, product range: HSCH 1,5/...-G-THR, pitch: 3.45 mm, mounting: THR soldering, pin layout: Linear pinning, solder pin [P]: 2.3 mm, number of solder pins per potential: 1, plug-in system: HSC 1,5, Pin connector pattern alignment: Standard, locking: without, mounting: without, type of packaging: 44 mm wide tape

HSCH 2,5-3U-22TT22 9005 - PCB header

2203559

<https://www.phoenixcontact.com/us/products/2203559>



PCB headers, nominal cross section: 2.5 mm², color: black, nominal current: 8 A, rated voltage (III/2): 320 V, contact connection type: Pin, number of potentials: 10, number of rows: 2, number of positions: 10, number of connections: 10, product range: HSCH 2,5/...-G, pitch: 5 mm, mounting: Wave soldering, pin layout: Mixed pinning, solder pin [P]: 3.8 mm, number of solder pins per potential: 1, plug-in system: HSC 2,5, Pin connector pattern alignment: Standard, locking: without, mounting: without, type of packaging: packed in cardboard, Partially assembled version

ME-IO 18,8 EB 10U TBUS 7035 - Mounting base housing

1103440

<https://www.phoenixcontact.com/us/products/1103440>

HSCP-SP 1,5-1U6-7035 LP1-6 - Printed-circuit board connector

1022660

<https://www.phoenixcontact.com/us/products/1022660>



PCB connector, nominal cross section: 1.5 mm², color: light grey, nominal current: 8 A, rated voltage (III/2): 160 V, contact surface: Tin, contact connection type: Socket, number of potentials: 6, number of rows: 2, number of positions: 6, number of connections: 6, product range: HSCP-SP 1,5-..., pitch: 3.45 mm, connection method: Push-in spring connection, conductor/PCB connection direction: 0 °, locking clip: - Locking clip, plug-in system: HSC 1,5, locking: without, mounting: without, type of packaging: packed in cardboard, Color of the spring lever: orange

HSCP-SP 1,5-1U6-7035 LP7-12 - Printed-circuit board connector

1022661

<https://www.phoenixcontact.com/us/products/1022661>



PCB connector, nominal cross section: 1.5 mm², color: light grey, nominal current: 8 A, rated voltage (III/2): 160 V, contact surface: Tin, contact connection type: Socket, number of potentials: 6, number of rows: 2, number of positions: 6, number of connections: 6, product range: HSCP-SP 1,5-..., pitch: 3.45 mm, connection method: Push-in spring connection, conductor/PCB connection direction: 0 °, locking clip: - Locking clip, plug-in system: HSC 1,5, locking: without, mounting: without, type of packaging: packed in cardboard, Color of the spring lever: orange

ME-IO 18,8 EB 10U TBUS 7035 - Mounting base housing

1103440

<https://www.phoenixcontact.com/us/products/1103440>

HSCP-SP 1,5-1U6-7035 LP13-18 - Printed-circuit board connector

1022662

<https://www.phoenixcontact.com/us/products/1022662>



PCB connector, nominal cross section: 1.5 mm², color: light grey, nominal current: 8 A, rated voltage (III/2): 160 V, contact surface: Tin, contact connection type: Socket, number of potentials: 6, number of rows: 2, number of positions: 6, number of connections: 6, product range: HSCP-SP 1,5-..., pitch: 3.45 mm, connection method: Push-in spring connection, conductor/PCB connection direction: 0 °, locking clip: - Locking clip, plug-in system: HSC 1,5, locking: without, mounting: without, type of packaging: packed in cardboard, Color of the spring lever: orange

HSCP-SP 2,5-1U4-55/55-7035 LP19-22 - Printed-circuit board connector

1022663

<https://www.phoenixcontact.com/us/products/1022663>



PCB connector, nominal cross section: 2.5 mm², color: light grey, nominal current: 8 A, rated voltage (III/2): 320 V, contact connection type: Socket, number of rows: 2, number of positions: 4, product range: HSCP-SP 2,5-..., pitch: 5 mm, connection method: Push-in spring connection, conductor/PCB connection direction: 0 °, locking clip: - Locking clip, plug-in system: HSC 2,5, locking: without, mounting: without, type of packaging: packed in cardboard, Color of the spring levers: green, green / green, green

ME-IO 18,8 EB 10U TBUS 7035 - Mounting base housing

1103440

<https://www.phoenixcontact.com/us/products/1103440>

HSCP-SP 2,5-1U4-66/66-7035 LP23-26 - Printed-circuit board connector

1022664

<https://www.phoenixcontact.com/us/products/1022664>



PCB connector, nominal cross section: 2.5 mm², color: light grey, nominal current: 8 A, rated voltage (III/2): 320 V, contact connection type: Socket, number of potentials: 4, number of rows: 2, number of positions: 4, number of connections: 4, product range: HSCP-SP 2,5-..., pitch: 5 mm, connection method: Push-in spring connection, conductor/PCB connection direction: 0 °, locking clip: - Locking clip, plug-in system: HSC 2,5, locking: without, mounting: without, Color of the spring levers: blue, blue / blue, blue

HSCP-SP 2,5-1U4-66/66-7035 LP27-30 - Printed-circuit board connector

1022665

<https://www.phoenixcontact.com/us/products/1022665>



PCB connector, nominal cross section: 2.5 mm², color: light grey, nominal current: 8 A, rated voltage (III/2): 320 V, contact connection type: Socket, number of potentials: 4, number of rows: 2, number of positions: 4, number of connections: 4, product range: HSCP-SP 2,5-..., pitch: 5 mm, connection method: Push-in spring connection, conductor/PCB connection direction: 0 °, locking clip: - Locking clip, plug-in system: HSC 2,5, locking: without, mounting: without, type of packaging: packed in cardboard, Color of the spring levers: blue, blue / blue, blue

ME-IO 18,8 EB 10U TBUS 7035 - Mounting base housing

1103440

<https://www.phoenixcontact.com/us/products/1103440>

HSCP-SP 2,5-1UTT-62/62-7035 LP31-34 - Printed-circuit board connector

1022666

<https://www.phoenixcontact.com/us/products/1022666>



PCB connector, nominal cross section: 2.5 mm², color: light grey, nominal current: 8 A, rated voltage (III/2): 320 V, contact surface: Tin, contact connection type: Socket, number of potentials: 2, number of rows: 2, number of positions: 2, number of connections: 4, product range: HSCP-SP 2,5-..., pitch: 5 mm, connection method: Push-in spring connection, conductor/PCB connection direction: 0 °, locking clip: - Locking clip, plug-in system: HSC 2,5, locking: without, mounting: without, type of packaging: packed in cardboard, Spring opener color: blue, red/blue, red

HSCP-SP 2,5-1U4-33/33-7016 - Printed-circuit board connector

1037429

<https://www.phoenixcontact.com/us/products/1037429>



PCB connector, nominal cross section: 2.5 mm², color: anthracite gray, nominal current: 8 A, rated voltage (III/2): 320 V, contact connection type: Socket, number of rows: 2, number of positions: 4, product range: HSCP-SP 2,5-..., pitch: 5 mm, connection method: Push-in spring connection, conductor/PCB connection direction: 0 °, locking clip: - Locking clip, plug-in system: HSC 2,5, locking: without, mounting: without, type of packaging: packed in cardboard, Color of the spring lever: orange

ME-IO 18,8 EB 10U TBUS 7035 - Mounting base housing

1103440

<https://www.phoenixcontact.com/us/products/1103440>

HSCP-SP 2,5-1U4-09/53-7035 - Printed-circuit board connector

1037438

<https://www.phoenixcontact.com/us/products/1037438>



PCB connector, nominal cross section: 2.5 mm², color: light grey, nominal current: 8 A, rated voltage (III/2): 320 V, contact connection type: Socket, number of rows: 2, number of positions: 4, product range: HSCP-SP 2,5-..., pitch: 5 mm, connection method: Push-in spring connection, conductor/PCB connection direction: 0 °, locking clip: - Locking clip, plug-in system: HSC 2,5, locking: without, mounting: without, type of packaging: packed in cardboard, Color of the spring levers: black, white/green, orange

HSCP-SP 1,5-1U6-396/396-7035 - Printed-circuit board connector

1064546

<https://www.phoenixcontact.com/us/products/1064546>



PCB connector, nominal cross section: 1.5 mm², color: light grey, nominal current: 8 A, rated voltage (III/2): 160 V, contact surface: Tin, contact connection type: Socket, number of rows: 2, number of positions: 6, product range: HSCP-SP 1,5-..., pitch: 3.45 mm, connection method: Push-in spring connection, conductor/PCB connection direction: 0 °, locking clip: - Locking clip, plug-in system: HSC 1,5, locking: without, mounting: without, type of packaging: packed in cardboard, Color of the spring levers: orange, white, blue/orange, white, blue

ME-IO 18,8 EB 10U TBUS 7035 - Mounting base housing

1103440

<https://www.phoenixcontact.com/us/products/1103440>

HSCP-SP 1,5-1U6-545/545-7035 - Printed-circuit board connector

1064547

<https://www.phoenixcontact.com/us/products/1064547>



PCB connector, nominal cross section: 1.5 mm², color: light grey, nominal current: 8 A, rated voltage (III/2): 160 V, contact surface: Tin, contact connection type: Socket, number of rows: 2, number of positions: 6, product range: HSCP-SP 1,5-..., pitch: 3.45 mm, connection method: Push-in spring connection, conductor/PCB connection direction: 0 °, locking clip: - Locking clip, plug-in system: HSC 1,5, locking: without, mounting: without, type of packaging: packed in cardboard, Color of the spring levers: green, yellow, green/green, yellow, green

HSCP-SP 1,5-1U6-045/045-7035 - Printed-circuit board connector

1064548

<https://www.phoenixcontact.com/us/products/1064548>



PCB connector, nominal cross section: 1.5 mm², color: light grey, nominal current: 8 A, rated voltage (III/2): 160 V, contact surface: Tin, contact connection type: Socket, number of rows: 2, number of positions: 6, product range: HSCP-SP 1,5-..., pitch: 3.45 mm, connection method: Push-in spring connection, conductor/PCB connection direction: 0 °, locking clip: - Locking clip, plug-in system: HSC 1,5, locking: without, mounting: without, type of packaging: packed in cardboard, Color of the spring levers: black, yellow, green/black, yellow, green

ME-IO 18,8 EB 10U TBUS 7035 - Mounting base housing

1103440

<https://www.phoenixcontact.com/us/products/1103440>

HSCP-SP 1,5-1U6-000/000-7035 - Printed-circuit board connector

1064549

<https://www.phoenixcontact.com/us/products/1064549>



PCB connector, nominal cross section: 1.5 mm², color: light grey, nominal current: 8 A, rated voltage (III/2): 160 V, contact surface: Tin, contact connection type: Socket, number of rows: 2, number of positions: 6, product range: HSCP-SP 1,5-..., pitch: 3.45 mm, connection method: Push-in spring connection, conductor/PCB connection direction: 0 °, locking clip: - Locking clip, plug-in system: HSC 1,5, locking: without, mounting: without, type of packaging: packed in cardboard, Color of the spring levers: black

HSCP-SP 1,5-1U6-336/336-7035 - Printed-circuit board connector

1100022

<https://www.phoenixcontact.com/us/products/1100022>



PCB connector, nominal cross section: 1.5 mm², color: light grey, nominal current: 8 A, rated voltage (III/2): 160 V, contact surface: Tin, contact connection type: Socket, number of rows: 2, number of positions: 6, product range: HSCP-SP 1,5-..., pitch: 3.45 mm, connection method: Push-in spring connection, conductor/PCB connection direction: 0 °, locking clip: - Locking clip, plug-in system: HSC 1,5, locking: without, mounting: without, type of packaging: packed in cardboard, Color of the spring levers: orange, orange, blue/orange, orange, orange, blue

ME-IO 18,8 EB 10U TBUS 7035 - Mounting base housing

1103440

<https://www.phoenixcontact.com/us/products/1103440>

HSCP-SP 1,5-1U6-555/555-7035 - Printed-circuit board connector

1106783

<https://www.phoenixcontact.com/us/products/1106783>



PCB connector, nominal cross section: 1.5 mm², color: light grey, nominal current: 8 A, rated voltage (III/2): 160 V, contact surface: Tin, contact connection type: Socket, number of rows: 2, number of positions: 6, product range: HSCP-SP 1,5-..., pitch: 3.45 mm, connection method: Push-in spring connection, conductor/PCB connection direction: 0 °, locking clip: - Locking clip, plug-in system: HSC 1,5, locking: without, mounting: without, type of packaging: packed in cardboard, Color of the spring levers: green

HSCP-SP 2,5-1U20-5B/5B-7035 - Printed-circuit board connector

1106784

<https://www.phoenixcontact.com/us/products/1106784>



PCB connector, nominal cross section: 2.5 mm², color: light grey, nominal current: 8 A, rated voltage (III/2): 320 V, contact connection type: Socket, number of potentials: 2, number of rows: 2, number of positions: 2, number of connections: 2, product range: HSCP-SP 2,5-..., pitch: 5 mm, connection method: Push-in spring connection, conductor/PCB connection direction: 0 °, locking clip: - Locking clip, plug-in system: HSC 2,5, locking: without, mounting: without, Color of the spring levers: green

ME-IO 18,8 EB 10U TBUS 7035 - Mounting base housing

1103440

<https://www.phoenixcontact.com/us/products/1103440>

HSCP-SP 2,5-1U4-55/66-7035 - Printed-circuit board connector

1111838

<https://www.phoenixcontact.com/us/products/1111838>



PCB connector, nominal cross section: 2.5 mm², color: light grey, nominal current: 8 A, rated voltage (III/2): 320 V, contact connection type: Socket, number of rows: 2, number of positions: 4, product range: HSCP-SP 2,5-..., pitch: 5 mm, connection method: Push-in spring connection, conductor/PCB connection direction: 0 °, locking clip: - Locking clip, plug-in system: HSC 2,5, locking: without, mounting: without, Color of the spring levers: green, green/blue, blue

HSCP-SP 2,5-1U4-22/44-7035 - Printed-circuit board connector

1111839

<https://www.phoenixcontact.com/us/products/1111839>



PCB connector, nominal cross section: 2.5 mm², color: light grey, nominal current: 8 A, rated voltage (III/2): 320 V, contact connection type: Socket, number of rows: 2, number of positions: 4, product range: HSCP-SP 2,5-..., pitch: 5 mm, connection method: Push-in spring connection, conductor/PCB connection direction: 0 °, locking clip: - Locking clip, plug-in system: HSC 2,5, locking: without, mounting: without, Color of the spring levers: red, red/yellow, yellow

ME-IO 18,8 EB 10U TBUS 7035 - Mounting base housing

1103440

<https://www.phoenixcontact.com/us/products/1103440>

HSCH 2,5-3U-TTTTTT 9005 - PCB header

1126768

<https://www.phoenixcontact.com/us/products/1126768>



PCB headers, nominal cross section: 2.5 mm², color: black, nominal current: 8 A, rated voltage (III/2): 320 V, contact surface: Tin, contact connection type: Pin, number of potentials: 6, number of rows: 2, number of positions: 6, number of connections: 6, product range: HSCH 2,5/..-G, pitch: 5 mm, mounting: Wave soldering, pin layout: Linear pinning, solder pin [P]: 3.8 mm, number of solder pins per potential: 1, plug-in system: HSC 2,5, Pin connector pattern alignment: Standard, locking: without, mounting: without, type of packaging: packed in cardboard, Partially assembled version

HSCP-SP 2,5-1U4-09/06-7035 - Printed-circuit board connector

1194411

<https://www.phoenixcontact.com/us/products/1194411>



PCB connector, nominal cross section: 2.5 mm², color: light grey, nominal current: 8 A, rated voltage (III/2): 320 V, contact surface: Tin, contact connection type: Socket, number of rows: 2, number of positions: 4, number of connections: 4, product range: HSCP-SP 2,5-..., pitch: 5 mm, connection method: Push-in spring connection, conductor/PCB connection direction: 0 °, locking clip: - Locking clip, plug-in system: HSC 2,5, locking: without, mounting: without, type of packaging: packed in cardboard, Color of the spring levers: black, white / black, blue

ME-IO 18,8 EB 10U TBUS 7035 - Mounting base housing

1103440

<https://www.phoenixcontact.com/us/products/1103440>

HSCP-SP 1,5-1U6-7016 - Printed-circuit board connector

1205101

<https://www.phoenixcontact.com/us/products/1205101>



PCB connector, nominal cross section: 1.5 mm², color: anthracite gray, nominal current: 8 A, rated voltage (III/2): 160 V, contact surface: Tin, contact connection type: Socket, number of potentials: 6, number of rows: 2, number of positions: 6, number of connections: 6, product range: HSCP-SP 1,5-..., pitch: 3.45 mm, connection method: Push-in spring connection, conductor/PCB connection direction: 0 °, locking clip: - Locking clip, plug-in system: HSC 1,5, locking: without, mounting: without, type of packaging: packed in cardboard, Color of the spring lever: orange

HSCP-SP 2,5-1U00-7016 - Filler plugs

1205130

<https://www.phoenixcontact.com/us/products/1205130>



PCB connector, nominal cross section: 2.5 mm², color: anthracite gray, nominal current: 8 A, rated voltage (III/2): 300 V, number of potentials: 0, number of rows: 2, number of positions: 0, number of connections: 0, product range: HSCP-SP 2,5-..., pitch: 5 mm, number of solder pins per potential: 0, locking clip: - Locking clip, plug-in system: HSC 2,5, locking: without, mounting: without, Filler plugs

ME-IO 18,8 EB 10U TBUS 7035 - Mounting base housing

1103440

<https://www.phoenixcontact.com/us/products/1103440>

HSCP-SP 2,5-1UTT-7016 - Printed-circuit board connector

1209685

<https://www.phoenixcontact.com/us/products/1209685>



PCB connector, nominal cross section: 2.5 mm², color: anthracite gray, nominal current: 8 A, rated voltage (III/2): 320 V, contact surface: Tin, contact connection type: Socket, number of potentials: 2, number of rows: 2, number of positions: 2, number of connections: 4, product range: HSCP-SP 2,5-..., pitch: 5 mm, connection method: Push-in spring connection, conductor/PCB connection direction: 0 °, locking clip: - Locking clip, plug-in system: HSC 2,5, locking: without, mounting: without, type of packaging: packed in cardboard, Color of the spring lever: orange

HSCP-SP 1,5-1U6-629/629-7016 - Printed-circuit board connector

1209687

<https://www.phoenixcontact.com/us/products/1209687>



PCB connector, nominal cross section: 1.5 mm², color: anthracite gray, nominal current: 8 A, rated voltage (III/2): 160 V, contact surface: Tin, contact connection type: Socket, number of rows: 2, number of positions: 6, product range: HSCP-SP 1,5-..., pitch: 3.45 mm, connection method: Push-in spring connection, conductor/PCB connection direction: 0 °, locking clip: - Locking clip, plug-in system: HSC 1,5, locking: without, mounting: without, type of packaging: packed in cardboard, Spring opener color: blue, red, white/blue, red, white

ME-IO 18,8 EB 10U TBUS 7035 - Mounting base housing

1103440

<https://www.phoenixcontact.com/us/products/1103440>

HSCP-SP 2,5-1UTT-62/62-7035 LPM-L+ - Printed-circuit board connector

1294375

<https://www.phoenixcontact.com/us/products/1294375>



PCB connector, nominal cross section: 2.5 mm², color: light grey, nominal current: 8 A, rated voltage (III/2): 320 V, contact connection type: Socket, number of potentials: 2, number of rows: 2, number of positions: 2, number of connections: 4, product range: HSCP-SP 2,5-..., pitch: 5 mm, connection method: Push-in spring connection, conductor/PCB connection direction: 0 °, locking clip: - Locking clip, plug-in system: HSC 2,5, locking: without, mounting: without, type of packaging: packed in cardboard, Spring opener color: blue, red/blue, red

HSCP-SP 2,5-1U4-00/00-7035 LP1-10 - Printed-circuit board connector

1294384

<https://www.phoenixcontact.com/us/products/1294384>



PCB connector, nominal cross section: 2.5 mm², color: light grey, nominal current: 8 A, rated voltage (III/2): 320 V, contact connection type: Socket, number of potentials: 4, number of rows: 2, number of positions: 4, number of connections: 4, product range: HSCP-SP 2,5-..., pitch: 5 mm, connection method: Push-in spring connection, conductor/PCB connection direction: 0 °, locking clip: - Locking clip, plug-in system: HSC 2,5, locking: without, mounting: without, type of packaging: packed in cardboard, Color of the spring levers: black, black / black, black

ME-IO 18,8 EB 10U TBUS 7035 - Mounting base housing

1103440

<https://www.phoenixcontact.com/us/products/1103440>

HSCP-SP 2,5-1U4-00/00-7035 LP3-12 - Printed-circuit board connector

1294390

<https://www.phoenixcontact.com/us/products/1294390>



PCB connector, nominal cross section: 2.5 mm², color: light grey, nominal current: 8 A, rated voltage (III/2): 320 V, contact connection type: Socket, number of potentials: 4, number of rows: 2, number of positions: 4, number of connections: 4, product range: HSCP-SP 2,5-..., pitch: 5 mm, connection method: Push-in spring connection, conductor/PCB connection direction: 0 °, locking clip: - Locking clip, plug-in system: HSC 2,5, locking: without, mounting: without, type of packaging: packed in cardboard, Color of the spring levers: black, black / black, black

HSCP-SP 2,5-1U4-00/00-7035 LP5-14 - Printed-circuit board connector

1294391

<https://www.phoenixcontact.com/us/products/1294391>



PCB connector, nominal cross section: 2.5 mm², color: light grey, nominal current: 8 A, rated voltage (III/2): 320 V, contact connection type: Socket, number of potentials: 4, number of rows: 2, number of positions: 4, number of connections: 4, product range: HSCP-SP 2,5-..., pitch: 5 mm, connection method: Push-in spring connection, conductor/PCB connection direction: 0 °, locking clip: - Locking clip, plug-in system: HSC 2,5, locking: without, mounting: without, type of packaging: packed in cardboard, Color of the spring levers: black, black / black, black

ME-IO 18,8 EB 10U TBUS 7035 - Mounting base housing

1103440

<https://www.phoenixcontact.com/us/products/1103440>

HSCP-SP 2,5-1U4-00/00-7035 LP7-16 - Printed-circuit board connector

1294392

<https://www.phoenixcontact.com/us/products/1294392>



PCB connector, nominal cross section: 2.5 mm², color: light grey, nominal current: 8 A, rated voltage (III/2): 320 V, contact connection type: Socket, number of potentials: 4, number of rows: 2, number of positions: 4, number of connections: 4, product range: HSCP-SP 2,5-..., pitch: 5 mm, connection method: Push-in spring connection, conductor/PCB connection direction: 0 °, locking clip: - Locking clip, plug-in system: HSC 2,5, locking: without, mounting: without, type of packaging: packed in cardboard, Color of the spring levers: black, black / black, black

HSCP-SP 1,5-1U6-260/260-7035 - Printed-circuit board connector

1326553

<https://www.phoenixcontact.com/us/products/1326553>



PCB connector, nominal cross section: 1.5 mm², color: light grey, nominal current: 8 A, rated voltage (III/2): 160 V, contact surface: Tin, contact connection type: Socket, number of potentials: 6, number of rows: 2, number of positions: 6, number of connections: 6, product range: HSCP-SP 1,5-..., pitch: 3.45 mm, connection method: Push-in spring connection, conductor/PCB connection direction: 0 °, locking clip: - Locking clip, plug-in system: HSC 1,5, locking: without, mounting: without, type of packaging: packed in cardboard, Color of the spring levers: red, blue, black / red, blue, black

ME-IO 18,8 EB 10U TBUS 7035 - Mounting base housing

1103440

<https://www.phoenixcontact.com/us/products/1103440>

HSCP-SP 1,5-1U6-222/222-7035 - Printed-circuit board connector

1344448

<https://www.phoenixcontact.com/us/products/1344448>



PCB connector, nominal cross section: 1.5 mm², color: light grey, nominal current: 8 A, rated voltage (III/2): 160 V, contact surface: Tin, contact connection type: Socket, number of potentials: 6, number of rows: 2, number of positions: 6, number of connections: 6, product range: HSCP-SP 1,5-..., pitch: 3.45 mm, connection method: Push-in spring connection, conductor/PCB connection direction: 0 °, locking clip: - Locking clip, plug-in system: HSC 1,5, locking: without, mounting: without, type of packaging: packed in cardboard, Color of the spring lever: red

HSCP-SP 1,5-1U6-444/444-7035 - Printed-circuit board connector

1344449

<https://www.phoenixcontact.com/us/products/1344449>



PCB connector, nominal cross section: 1.5 mm², color: light grey, nominal current: 8 A, rated voltage (III/2): 160 V, contact surface: Tin, contact connection type: Socket, number of potentials: 6, number of rows: 2, number of positions: 6, number of connections: 6, product range: HSCP-SP 1,5-..., pitch: 3.45 mm, connection method: Push-in spring connection, conductor/PCB connection direction: 0 °, locking clip: - Locking clip, plug-in system: HSC 1,5, locking: without, mounting: without, type of packaging: packed in cardboard, Color of the spring lever: yellow

ME-IO 18,8 EB 10U TBUS 7035 - Mounting base housing

1103440

<https://www.phoenixcontact.com/us/products/1103440>

HSCP-SP 1,5-1U6-062/062-7035 - Printed-circuit board connector

1344923

<https://www.phoenixcontact.com/us/products/1344923>



PCB connector, nominal cross section: 1.5 mm², color: light grey, nominal current: 8 A, rated voltage (III/2): 160 V, contact surface: Tin, contact connection type: Socket, number of potentials: 6, number of rows: 2, number of positions: 6, number of connections: 6, product range: HSCP-SP 1,5-..., pitch: 3.45 mm, connection method: Push-in spring connection, conductor/PCB connection direction: 0 °, locking clip: - Locking clip, plug-in system: HSC 1,5, locking: without, mounting: without, type of packaging: packed in cardboard, Color of the spring levers: black, blue, red / black, blue, red

HSCP-SP 2,5-1U4-55/55-7035 TPDC-1 - Printed-circuit board connector

1361702

<https://www.phoenixcontact.com/us/products/1361702>



PCB connector, nominal cross section: 2.5 mm², color: light grey, nominal current: 8 A, rated voltage (III/2): 320 V, contact surface: Tin, contact connection type: Socket, number of potentials: 4, number of rows: 2, number of positions: 4, number of connections: 4, product range: HSCP-SP 2,5-..., pitch: 5 mm, connection method: Push-in spring connection, conductor/PCB connection direction: 0 °, locking clip: - Locking clip, plug-in system: HSC 2,5, locking: without, mounting: without

ME-IO 18,8 EB 10U TBUS 7035 - Mounting base housing

1103440

<https://www.phoenixcontact.com/us/products/1103440>

HSCP-SP 2,5-1U4-55/55-7035 TPDC-2 - Printed-circuit board connector

1361704

<https://www.phoenixcontact.com/us/products/1361704>



PCB connector, nominal cross section: 2.5 mm², color: light grey, nominal current: 8 A, rated voltage (III/2): 320 V, contact surface: Tin, contact connection type: Socket, number of potentials: 4, number of rows: 2, number of positions: 4, number of connections: 4, product range: HSCP-SP 2,5-..., pitch: 5 mm, connection method: Push-in spring connection, conductor/PCB connection direction: 0 °, locking clip: - Locking clip, plug-in system: HSC 2,5, locking: without, mounting: without

HSCP-SP 2,5-1U4-55/55-7035 TPDC-3 - Printed-circuit board connector

1361705

<https://www.phoenixcontact.com/us/products/1361705>



PCB connector, nominal cross section: 2.5 mm², color: light grey, nominal current: 8 A, rated voltage (III/2): 320 V, contact surface: Tin, contact connection type: Socket, number of potentials: 4, number of rows: 2, number of positions: 4, number of connections: 4, product range: HSCP-SP 2,5-..., pitch: 5 mm, connection method: Push-in spring connection, conductor/PCB connection direction: 0 °, locking clip: - Locking clip, plug-in system: HSC 2,5, locking: without, mounting: without

ME-IO 18,8 EB 10U TBUS 7035 - Mounting base housing

1103440

<https://www.phoenixcontact.com/us/products/1103440>

HSCP-SP 2,5-1U4-55/55-7035 TPDC-4 - Printed-circuit board connector

1361706

<https://www.phoenixcontact.com/us/products/1361706>



PCB connector, nominal cross section: 2.5 mm², color: light grey, nominal current: 8 A, rated voltage (III/2): 320 V, contact surface: Tin, contact connection type: Socket, number of potentials: 4, number of rows: 2, number of positions: 4, number of connections: 4, product range: HSCP-SP 2,5-..., pitch: 5 mm, connection method: Push-in spring connection, conductor/PCB connection direction: 0 °, locking clip: - Locking clip, plug-in system: HSC 2,5, locking: without, mounting: without

HSCP-SP 2,5-1U4-55/55-7035 TPDC-5 - Printed-circuit board connector

1361708

<https://www.phoenixcontact.com/us/products/1361708>



PCB connector, nominal cross section: 2.5 mm², color: light grey, nominal current: 8 A, rated voltage (III/2): 320 V, contact surface: Tin, contact connection type: Socket, number of potentials: 4, number of rows: 2, number of positions: 4, number of connections: 4, product range: HSCP-SP 2,5-..., pitch: 5 mm, connection method: Push-in spring connection, conductor/PCB connection direction: 0 °, locking clip: - Locking clip, plug-in system: HSC 2,5, locking: without, mounting: without

ME-IO 18,8 EB 10U TBUS 7035 - Mounting base housing

1103440

<https://www.phoenixcontact.com/us/products/1103440>

HSCP-SP 2,5-1U4-55/55-7035 TPDC-6 - Printed-circuit board connector

1361709

<https://www.phoenixcontact.com/us/products/1361709>



PCB connector, nominal cross section: 2.5 mm², color: light grey, nominal current: 8 A, rated voltage (III/2): 320 V, contact surface: Tin, contact connection type: Socket, number of potentials: 4, number of rows: 2, number of positions: 4, number of connections: 4, product range: HSCP-SP 2,5-..., pitch: 5 mm, connection method: Push-in spring connection, conductor/PCB connection direction: 0 °, locking clip: - Locking clip, plug-in system: HSC 2,5, locking: without, mounting: without

HSCP-SP 2,5-1U4-55/55-7035 TPDC-7 - Printed-circuit board connector

1361711

<https://www.phoenixcontact.com/us/products/1361711>



PCB connector, nominal cross section: 2.5 mm², color: light grey, nominal current: 8 A, rated voltage (III/2): 320 V, contact surface: Tin, contact connection type: Socket, number of potentials: 4, number of rows: 2, number of positions: 4, number of connections: 4, product range: HSCP-SP 2,5-..., pitch: 5 mm, connection method: Push-in spring connection, conductor/PCB connection direction: 0 °, locking clip: - Locking clip, plug-in system: HSC 2,5, locking: without, mounting: without

ME-IO 18,8 EB 10U TBUS 7035 - Mounting base housing

1103440

<https://www.phoenixcontact.com/us/products/1103440>

HSCP-SP 2,5-1U4-55/55-7035 TPDC-8 - Printed-circuit board connector

1361714

<https://www.phoenixcontact.com/us/products/1361714>



PCB connector, nominal cross section: 2.5 mm², color: light grey, nominal current: 8 A, rated voltage (III/2): 320 V, contact surface: Tin, contact connection type: Socket, number of potentials: 4, number of rows: 2, number of positions: 4, number of connections: 4, product range: HSCP-SP 2,5-..., pitch: 5 mm, connection method: Push-in spring connection, conductor/PCB connection direction: 0 °, locking clip: - Locking clip, plug-in system: HSC 2,5, locking: without, mounting: without

HSCP-SP 1,5-1U6-696/696-7035 - Printed-circuit board connector

1376979

<https://www.phoenixcontact.com/us/products/1376979>



PCB connector, nominal cross section: 1.5 mm², color: light grey, nominal current: 8 A, rated voltage (III/2): 160 V, contact surface: Tin, contact connection type: Socket, number of potentials: 6, number of rows: 2, number of positions: 6, number of connections: 6, product range: HSCP-SP 1,5-..., pitch: 3.45 mm, connection method: Push-in spring connection, conductor/PCB connection direction: 0 °, locking clip: - Locking clip, plug-in system: HSC 1,5, locking: without, mounting: without, type of packaging: packed in cardboard, Color of the spring levers: white, blue / blue, white, blue

ME-IO 18,8 EB 10U TBUS 7035 - Mounting base housing

1103440

<https://www.phoenixcontact.com/us/products/1103440>

HSCH 2,5-2U-TT02 9005 - PCB header

2201793

<https://www.phoenixcontact.com/us/products/2201793>



PCB headers, nominal cross section: 2.5 mm², color: black, nominal current: 8 A, rated voltage (III/2): 320 V, contact connection type: Pin, number of potentials: 4, number of rows: 2, number of positions: 4, number of connections: 4, product range: HSCH 2,5/...-G, pitch: 5 mm, mounting: Wave soldering, pin layout: Mixed pinning, solder pin [P]: 3.8 mm, number of solder pins per potential: 1, plug-in system: HSC 2,5, Pin connector pattern alignment: Standard, locking: without, mounting: without, type of packaging: packed in cardboard, Partially assembled version

HSCP-SP 2,5-1U4-69/69-7035 - Printed-circuit board connector

2202605

<https://www.phoenixcontact.com/us/products/2202605>



PCB connector, nominal cross section: 2.5 mm², color: light grey, nominal current: 8 A, rated voltage (III/2): 320 V, contact surface: Tin, contact connection type: Socket, number of potentials: 4, number of rows: 2, number of positions: 4, number of connections: 4, product range: HSCP-SP 2,5-..., pitch: 5 mm, connection method: Push-in spring connection, conductor/PCB connection direction: 0 °, locking clip: - Locking clip, plug-in system: HSC 2,5, locking: without, mounting: without, type of packaging: packed in cardboard, Spring opener color: blue, white/blue, white

ME-IO 18,8 EB 10U TBUS 7035 - Mounting base housing

1103440

<https://www.phoenixcontact.com/us/products/1103440>

HSCP-SP 2,5-1UTT-62/62-7035 - Printed-circuit board connector

2202606

<https://www.phoenixcontact.com/us/products/2202606>



PCB connector, nominal cross section: 2.5 mm², color: light grey, nominal current: 8 A, rated voltage (III/2): 320 V, contact surface: Tin, contact connection type: Socket, number of potentials: 2, number of rows: 2, number of positions: 2, number of connections: 4, product range: HSCP-SP 2,5-..., pitch: 5 mm, connection method: Push-in spring connection, conductor/PCB connection direction: 0 °, locking clip: - Locking clip, plug-in system: HSC 2,5, locking: without, mounting: without, type of packaging: packed in cardboard, Spring opener color: blue, red/blue, red

HSCP-SP 2,5-1UTT-55/55-7035 - Printed-circuit board connector

2202607

<https://www.phoenixcontact.com/us/products/2202607>



PCB connector, nominal cross section: 2.5 mm², color: light grey, nominal current: 8 A, rated voltage (III/2): 320 V, contact surface: Tin, contact connection type: Socket, number of potentials: 4, number of rows: 2, number of positions: 2, number of connections: 2, product range: HSCP-SP 2,5-..., pitch: 5 mm, connection method: Push-in spring connection, conductor/PCB connection direction: 0 °, locking clip: - Locking clip, plug-in system: HSC 2,5, locking: without, mounting: without, type of packaging: packed in cardboard, Color of the spring levers: green, green / green, green

ME-IO 18,8 EB 10U TBUS 7035 - Mounting base housing

1103440

<https://www.phoenixcontact.com/us/products/1103440>

HSCP-SP 2,5-1U4-99/62-7035 - Printed-circuit board connector

2202608

<https://www.phoenixcontact.com/us/products/2202608>



PCB connector, nominal cross section: 2.5 mm², color: light grey, nominal current: 8 A, rated voltage (III/2): 320 V, contact surface: Tin, contact connection type: Socket, number of potentials: 4, number of rows: 2, number of positions: 4, number of connections: 4, product range: HSCP-SP 2,5-..., pitch: 5 mm, connection method: Push-in spring connection, conductor/PCB connection direction: 0 °, pin layout: Linear pinning, locking clip: - Locking clip, plug-in system: HSC 2,5, locking: without, mounting: without, type of packaging: packed in cardboard, Spring opener color: white, white/blue, red

HSCP-SP 1,5-1U6-629/629-7035 - Printed-circuit board connector

2202609

<https://www.phoenixcontact.com/us/products/2202609>



PCB connector, nominal cross section: 1.5 mm², color: light grey, nominal current: 8 A, rated voltage (III/2): 160 V, contact surface: Tin, contact connection type: Socket, number of potentials: 6, number of rows: 2, number of positions: 6, number of connections: 6, product range: HSCP-SP 1,5-..., pitch: 3.45 mm, connection method: Push-in spring connection, conductor/PCB connection direction: 0 °, locking clip: - Locking clip, plug-in system: HSC 1,5, locking: without, mounting: without, type of packaging: packed in cardboard, Spring opener color: blue, red, white/blue, red, white

ME-IO 18,8 EB 10U TBUS 7035 - Mounting base housing

1103440

<https://www.phoenixcontact.com/us/products/1103440>

HSCP-SP 2,5-1U00-7035 - Filler plugs

2202610

<https://www.phoenixcontact.com/us/products/2202610>



PCB connector, nominal cross section: 2.5 mm², color: light grey, nominal current: 8 A, rated voltage (III/2): 300 V, contact surface: Tin, number of potentials: 0, number of rows: 2, number of positions: 0, number of connections: 0, product range: HSCP-SP 2,5-..., pitch: 5 mm, number of solder pins per potential: 0, locking clip: - Locking clip, plug-in system: HSC 2,5, locking: without, mounting: without, type of packaging: packed in cardboard, Filler plugs

HSCP-SP 2,5-1U4-29/29-7035 - Printed-circuit board connector

2203192

<https://www.phoenixcontact.com/us/products/2203192>



PCB connector, nominal cross section: 2.5 mm², color: light grey, nominal current: 8 A, rated voltage (III/2): 320 V, contact surface: Tin, contact connection type: Socket, number of potentials: 4, number of rows: 2, number of positions: 4, number of connections: 4, product range: HSCP-SP 2,5-..., pitch: 5 mm, connection method: Push-in spring connection, conductor/PCB connection direction: 0 °, locking clip: - Locking clip, plug-in system: HSC 2,5, locking: without, mounting: without, type of packaging: packed in cardboard, Spring opener color: red, white/red, white

ME-IO 18,8 EB 10U TBUS 7035 - Mounting base housing

1103440

<https://www.phoenixcontact.com/us/products/1103440>

HSCP-SP 2,5-1U4-62/59-7035 - Printed-circuit board connector

2203194

<https://www.phoenixcontact.com/us/products/2203194>



PCB connector, nominal cross section: 2.5 mm², color: light grey, nominal current: 8 A, rated voltage (III/2): 320 V, contact surface: Tin, contact connection type: Socket, number of potentials: 4, number of rows: 2, number of positions: 4, number of connections: 4, product range: HSCP-SP 2,5-..., pitch: 5 mm, connection method: Push-in spring connection, conductor/PCB connection direction: 0 °, locking clip: - Locking clip, plug-in system: HSC 2,5, locking: without, mounting: without, type of packaging: packed in cardboard, Spring opener color: blue, red/green, white

HSCP-SP 2,5-1U4-65/65-7035 - Printed-circuit board connector

2203195

<https://www.phoenixcontact.com/us/products/2203195>



PCB connector, nominal cross section: 2.5 mm², color: light grey, nominal current: 8 A, rated voltage (III/2): 320 V, contact surface: Tin, contact connection type: Socket, number of potentials: 4, number of rows: 2, number of positions: 4, number of connections: 4, product range: HSCP-SP 2,5-..., pitch: 5 mm, connection method: Push-in spring connection, conductor/PCB connection direction: 0 °, locking clip: - Locking clip, plug-in system: HSC 2,5, locking: without, mounting: without, type of packaging: packed in cardboard, Spring opener color: blue, green/blue, green

ME-IO 18,8 EB 10U TBUS 7035 - Mounting base housing

1103440

<https://www.phoenixcontact.com/us/products/1103440>

HSCP-SP 2,5-1U4-66/22-7035 - Printed-circuit board connector

2203473

<https://www.phoenixcontact.com/us/products/2203473>



PCB connector, nominal cross section: 2.5 mm², color: light grey, nominal current: 8 A, rated voltage (III/2): 320 V, contact connection type: Socket, number of rows: 2, number of positions: 4, product range: HSCP-SP 2,5-..., pitch: 5 mm, connection method: Push-in spring connection, conductor/PCB connection direction: 0 °, locking clip: - Locking clip, plug-in system: HSC 2,5, locking: without, mounting: without, Color of the spring levers: blue, blue/red, red

HSCP-SP 1,5-1U6-999/999-7035 - Printed-circuit board connector

2203603

<https://www.phoenixcontact.com/us/products/2203603>



PCB connector, nominal cross section: 1.5 mm², color: light grey, nominal current: 8 A, rated voltage (III/2): 160 V, contact surface: Tin, contact connection type: Socket, number of rows: 2, number of positions: 6, product range: HSCP-SP 1,5-..., pitch: 3.45 mm, connection method: Push-in spring connection, conductor/PCB connection direction: 0 °, locking clip: - Locking clip, plug-in system: HSC 1,5, locking: without, mounting: without, type of packaging: packed in cardboard, Color of the spring levers: white

ME-IO 18,8 EB 10U TBUS 7035 - Mounting base housing

1103440

<https://www.phoenixcontact.com/us/products/1103440>

HSCP-SP 1,5-1U6-562/562-7035 - Printed-circuit board connector

2203604

<https://www.phoenixcontact.com/us/products/2203604>



PCB connector, nominal cross section: 1.5 mm², color: light grey, nominal current: 8 A, rated voltage (III/2): 160 V, contact surface: Tin, contact connection type: Socket, number of rows: 2, number of positions: 6, product range: HSCP-SP 1,5-..., pitch: 3.45 mm, connection method: Push-in spring connection, conductor/PCB connection direction: 0 °, locking clip: - Locking clip, plug-in system: HSC 1,5, locking: without, mounting: without, type of packaging: packed in cardboard, Color of the spring levers: green, blue, red/green, blue, red

HSCH 2,5-2U-TT22 9005 - PCB header

2203783

<https://www.phoenixcontact.com/us/products/2203783>



PCB headers, nominal cross section: 2.5 mm², color: black, nominal current: 8 A, rated voltage (III/2): 320 V, contact surface: Tin, contact connection type: Pin, number of potentials: 6, number of rows: 2, number of positions: 6, number of connections: 6, product range: HSCH 2,5/..-G, pitch: 5 mm, mounting: Wave soldering, pin layout: Mixed pinning, solder pin [P]: 3.8 mm, number of solder pins per potential: 1, plug-in system: HSC 2,5, Pin connector pattern alignment: Standard, locking: without, mounting: without, type of packaging: packed in cardboard, Partially assembled version

ME-IO 18,8 EB 10U TBUS 7035 - Mounting base housing

1103440

<https://www.phoenixcontact.com/us/products/1103440>

HSCP-SP 2,5-1U4-44/44-7016 - Printed-circuit board connector

2203818

<https://www.phoenixcontact.com/us/products/2203818>



PCB connector, nominal cross section: 2.5 mm², color: anthracite gray, nominal current: 8 A, rated voltage (III/2): 320 V, contact connection type: Socket, number of rows: 2, number of positions: 4, product range: HSCP-SP 2,5-..., pitch: 5 mm, connection method: Push-in spring connection, conductor/PCB connection direction: 0 °, locking clip: - Locking clip, plug-in system: HSC 2,5, locking: without, mounting: without, Color of the spring levers: yellow, yellow / yellow, yellow

HSCP-CB 4U-7035 - Fastening clip

1056722

<https://www.phoenixcontact.com/us/products/1056722>



ME-IO Blockbelt, for 4 PCB connectors, color: light grey (7035)

ME-IO 18,8 EB 10U TBUS 7035 - Mounting base housing

1103440

<https://www.phoenixcontact.com/us/products/1103440>

HSCP-CB 3U-7035 - Fastening clip

1056723

<https://www.phoenixcontact.com/us/products/1056723>



ME-IO Blockbelt, for 3 PCB connectors, color: light grey (7035)

HSCP-CB 2U-7035 - Fastening clip

1056724

<https://www.phoenixcontact.com/us/products/1056724>



ME-IO Blockbelt, for 2 PCB connectors, color: light grey (7035)

ME-IO 18,8 EB 10U TBUS 7035 - Mounting base housing

1103440

<https://www.phoenixcontact.com/us/products/1103440>

HSCP-CB 5U-7035 - Fastening clip

1056892

<https://www.phoenixcontact.com/us/products/1056892>



ME-IO Blockbelt, for 5 PCB connectors, color: light grey (7035)

HSC-LR 9U KIT 2003 - Locking

2201794

<https://www.phoenixcontact.com/us/products/2201794>



DIN rail housing, 9U, Lock and Release system, width: 16.1 mm, height: 111.8 mm, depth: 8.8 mm, color: orange (2003)

ME-IO 18,8 EB 10U TBUS 7035 - Mounting base housing

1103440

<https://www.phoenixcontact.com/us/products/1103440>

HSC-LR 7U KIT 2003 - Locking

2201795

<https://www.phoenixcontact.com/us/products/2201795>



DIN rail housing, 7U, Lock and Release system, width: 16.1 mm, height: 89.95 mm, depth: 8.8 mm, color: orange (2003)

HSC-LR 5U KIT 2003 - Locking

2201796

<https://www.phoenixcontact.com/us/products/2201796>



DIN rail housing, 5U, Lock and Release system, width: 16.1 mm, height: 67.95 mm, depth: 8.8 mm, color: orange (2003)

ME-IO 18,8 EB 10U TBUS 7035 - Mounting base housing

1103440

<https://www.phoenixcontact.com/us/products/1103440>

HSC-LR 3U KIT 2003 - Locking

2201797

<https://www.phoenixcontact.com/us/products/2201797>



DIN rail housing, 3U, Lock and Release system, width: 16.1 mm, height: 45.95 mm, depth: 8.8 mm, color: orange (2003)

HSC-LR 7U KIT 5015 - Locking

2203850

<https://www.phoenixcontact.com/us/products/2203850>



DIN rail housing, 7U, Lock and Release system, width: 16.1 mm, height: 89.95 mm, depth: 8.8 mm, color: blue (5015)

ME-IO 18,8 EB 10U TBUS 7035 - Mounting base housing

1103440

<https://www.phoenixcontact.com/us/products/1103440>

TBUS8-18,8-PPPPSSSS-7035 - DIN rail bus connectors

1140958

<https://www.phoenixcontact.com/us/products/1140958>



DIN rail connector, color: light grey, nominal current: 6 A, 4 A (parallel contacts) (Serial contacts), rated voltage (III/2): 32 V, number of positions: 8, pitch: 2.54 mm, mounting: DIN rail mounting, locking: without, mounting: without, type of packaging: packed in cardboard, Item with gold-plated contacts, bus connectors for connecting with electronics housings, 4 parallel contacts/4 serial contacts

TBUS8-18,8-PPPPPPPP-7035 - DIN rail bus connectors

2202396

<https://www.phoenixcontact.com/us/products/2202396>



DIN rail connector, color: light grey, nominal current: 6 A (parallel contacts), rated voltage (III/2): 32 V, number of positions: 8, pitch: 2.54 mm, mounting: DIN rail mounting, locking: without, mounting: without, type of packaging: packed in cardboard, Item with gold-plated contacts, bus connectors for connecting with electronics housings, 8 parallel contacts

ME-IO 18,8 EB 10U TBUS 7035 - Mounting base housing

1103440

<https://www.phoenixcontact.com/us/products/1103440>

TBUS8-18,8-PPPPPPPS-7035 - DIN rail bus connectors

2202399

<https://www.phoenixcontact.com/us/products/2202399>



DIN rail connector, color: light grey, nominal current: 6 A, 4 A (parallel contacts) (Serial contacts), rated voltage (III/2): 32 V, number of positions: 8, pitch: 2.54 mm, mounting: DIN rail mounting, locking: without, mounting: without, type of packaging: packed in cardboard, Item with gold-plated contacts, bus connectors for connecting with electronics housings, 7 parallel contacts/1 serial contact

TBUS8-18,8-PPPPPPSS-7035 - DIN rail bus connectors

2202403

<https://www.phoenixcontact.com/us/products/2202403>



DIN rail connector, color: light grey, nominal current: 6 A, 4 A (parallel contacts) (Serial contacts), rated voltage (III/2): 32 V, number of positions: 8, pitch: 2.54 mm, mounting: DIN rail mounting, locking: without, mounting: without, type of packaging: packed in cardboard, Item with gold-plated contacts, bus connectors for connecting with electronics housings, 6 parallel contacts/2 serial contacts

ME-IO 18,8 EB 10U TBUS 7035 - Mounting base housing

1103440

<https://www.phoenixcontact.com/us/products/1103440>

ME 18,8 TBUS 1,5/5-ST-3,81KMGY - DIN rail bus connectors

2201813

<https://www.phoenixcontact.com/us/products/2201813>



DIN rail connector, color: light grey, nominal current: 8 A (parallel contacts), rated voltage (III/2): 125 V, contact surface: Gold, number of positions: 5, pitch: 3.81 mm, mounting: DIN rail mounting, locking: without, mounting: without, type of packaging: packed in cardboard, Item with gold-plated contacts, bus connectors for connecting with electronics housings, 5 parallel contacts

ME 18,8 TBUS 1,5/5 VPE1 KMGY - DIN rail bus connectors

2202549

<https://www.phoenixcontact.com/us/products/2202549>



DIN rail connector, color: light grey, nominal current: 8 A (parallel contacts), rated voltage (III/2): 125 V, number of positions: 5, pitch: 3.81 mm, mounting: DIN rail mounting, locking: without, mounting: without, type of packaging: packed in cardboard, Item with gold-plated contacts, bus connectors for connecting with electronics housings, 5 parallel contacts

ME-IO 18,8 EB 10U TBUS 7035 - Mounting base housing

1103440

<https://www.phoenixcontact.com/us/products/1103440>

HS LC-H-D2C/ R2XC1-2,54 - Fiber optic

1036658

<https://www.phoenixcontact.com/us/products/1036658>



Multiple light guides with glare protection, passive, rigid, can be used for the ME, ME-MAX, ME-IO, ME PLC, and EH housing ranges (housing must be processed)

HS LC-H-D2C/ R2XC4-2,54 - Fiber optic

1036724

<https://www.phoenixcontact.com/us/products/1036724>



Multiple light guides with glare protection, passive, rigid, can be used for the ME, ME-MAX, ME-IO, ME PLC, and EH housing ranges (housing must be processed)

ME-IO 18,8 EB 10U TBUS 7035 - Mounting base housing

1103440

<https://www.phoenixcontact.com/us/products/1103440>

HS LC-H-D2C/ R4XC4-2,54 - Fiber optic

1036727

<https://www.phoenixcontact.com/us/products/1036727>



Multiple light guides with glare protection, passive, rigid, can be used for the ME, ME-MAX, ME-IO, ME PLC, and EH housing ranges (housing must be processed)

HS LC-H-D2C/ R2XC2-2,54 - Fiber optic

1043044

<https://www.phoenixcontact.com/us/products/1043044>



Multiple light guides with glare protection, passive, rigid, can be used for the ME, ME-MAX, ME-IO, ME PLC, and EH housing ranges (housing must be processed)

ME-IO 18,8 EB 10U TBUS 7035 - Mounting base housing

1103440

<https://www.phoenixcontact.com/us/products/1103440>

HS LC-H-D2C/ R4XC2-2,54 - Fiber optic

1071316

<https://www.phoenixcontact.com/us/products/1071316>



Multiple light guides with glare protection, passive, rigid, can be used for the ME, ME-MAX, ME-IO, ME PLC, and EH housing ranges (housing must be processed)

HS LC-H-D2/ R3XC10-2,54 - Fiber optic

1104374

<https://www.phoenixcontact.com/us/products/1104374>



Multiple light guides with glare protection, passive, rigid, can be used for the ME, ME-MAX, ME-IO, ME PLC, and EH housing ranges (housing must be processed)

ME-IO 18,8 EB 10U TBUS 7035 - Mounting base housing



1103440

<https://www.phoenixcontact.com/us/products/1103440>

HS LC-H-D3/ R1XC1 - Fiber optic

2202313

<https://www.phoenixcontact.com/us/products/2202313>

Multiple light guides, passive, rigid, can be used for the ME, ME-MAX, ME-IO, ME PLC, and EH housing ranges (housing must be processed)



HS LC-H-5X2/ R1XC1 - Fiber optic

2202314

<https://www.phoenixcontact.com/us/products/2202314>

Single light guide, passive, rigid, can be used for the ME, ME-MAX, ME-IO, ME PLC, and EH housing ranges (housing must be processed)



ME-IO 18,8 EB 10U TBUS 7035 - Mounting base housing



1103440

<https://www.phoenixcontact.com/us/products/1103440>

HS LC-H-D3/ R2XC1-5,08 - Fiber optic

2202315

<https://www.phoenixcontact.com/us/products/2202315>

Multiple light guides, passive, rigid, can be used for the ME, ME-MAX, ME-IO, ME PLC, and EH housing ranges (housing must be processed)



HS LC-H-D2/ R2XC1-2,54 - Fiber optic

2202316

<https://www.phoenixcontact.com/us/products/2202316>

Multiple light guides with glare protection, passive, rigid, can be used for the ME, ME-MAX, ME-IO, ME PLC, and EH housing ranges (housing must be processed)



ME-IO 18,8 EB 10U TBUS 7035 - Mounting base housing

1103440

<https://www.phoenixcontact.com/us/products/1103440>

HS LC-H-D2/ R2XC2-2,54 - Fiber optic

2202317

<https://www.phoenixcontact.com/us/products/2202317>



Multiple light guides with glare protection, passive, rigid, can be used for the ME, ME-MAX, ME-IO, ME PLC, and EH housing ranges (housing must be processed)

HS LC-H-D2/ R2XC5-2,54 - Fiber optic

2202318

<https://www.phoenixcontact.com/us/products/2202318>



Multiple light guides with glare protection, passive, rigid, can be used for the ME, ME-MAX, ME-IO, ME PLC, and EH housing ranges (housing must be processed)

ME-IO 18,8 EB 10U TBUS 7035 - Mounting base housing

1103440

<https://www.phoenixcontact.com/us/products/1103440>

HS LC-H-D2/ R2XC10-2,54 - Fiber optic

2202319

<https://www.phoenixcontact.com/us/products/2202319>

Multiple light guides with glare protection, passive, rigid, can be used for the ME, ME-MAX, ME-IO, ME PLC, and EH housing ranges (housing must be processed)



HS LC-H-D2/ R4XC2-2,54 - Fiber optic

2202320

<https://www.phoenixcontact.com/us/products/2202320>

Multiple light guides with glare protection, passive, rigid, can be used for the ME, ME-MAX, ME-IO, ME PLC, and EH housing ranges (housing must be processed)



ME-IO 18,8 EB 10U TBUS 7035 - Mounting base housing

1103440

<https://www.phoenixcontact.com/us/products/1103440>

HS LC-H-D2/ R4XC5-2,54 - Fiber optic

2202321

<https://www.phoenixcontact.com/us/products/2202321>



Multiple light guides with glare protection, passive, rigid, can be used for the ME, ME-MAX, ME-IO, ME PLC, and EH housing ranges (housing must be processed)

HS LC-H-D2/ R4XC9-2,54 - Fiber optic

2202322

<https://www.phoenixcontact.com/us/products/2202322>



Multiple light guides with glare protection, passive, rigid, can be used for the ME, ME-MAX, ME-IO, ME PLC, and EH housing ranges (housing must be processed)

ME-IO 18,8 EB 10U TBUS 7035 - Mounting base housing



1103440

<https://www.phoenixcontact.com/us/products/1103440>

HS LC-H-D2/ R2XC4-2,54 - Fiber optic

2202531

<https://www.phoenixcontact.com/us/products/2202531>



Multiple light guides with glare protection, passive, rigid, can be used for the ME, ME-MAX, ME-IO, ME PLC, and EH housing ranges (housing must be processed)

HS LC-H-D2/ R4XC4-2,54 - Fiber optic

2202532

<https://www.phoenixcontact.com/us/products/2202532>



Multiple light guides with glare protection, passive, rigid, can be used for the ME, ME-MAX, ME-IO, ME PLC, and EH housing ranges (housing must be processed)

Phoenix Contact 2023 © - all rights reserved
<https://www.phoenixcontact.com>

Phoenix Contact USA
586 Fulling Mill Road
Middletown, PA 17057, United States
(+717) 944-1300
info@phoenixcon.com