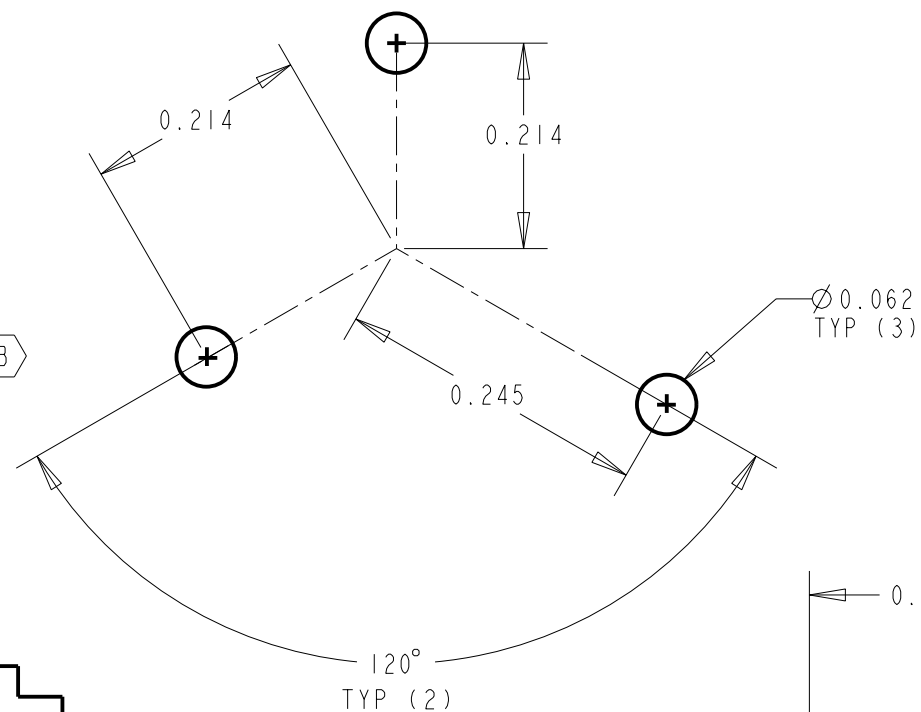
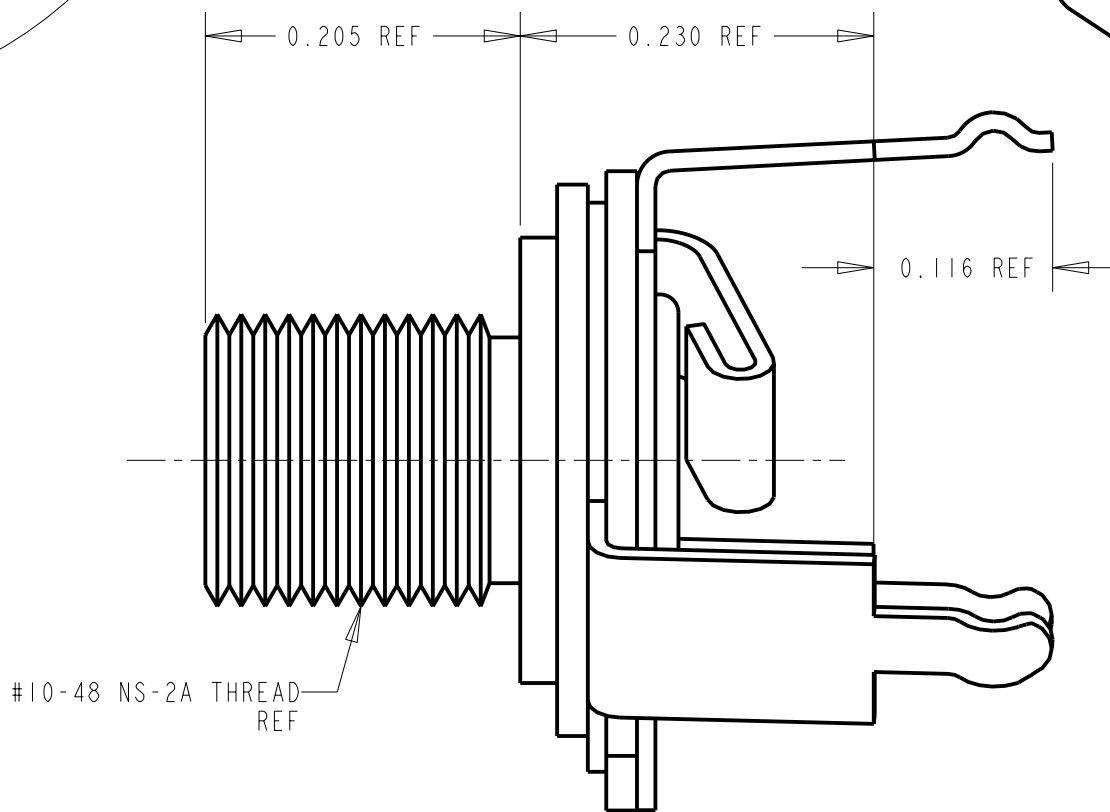
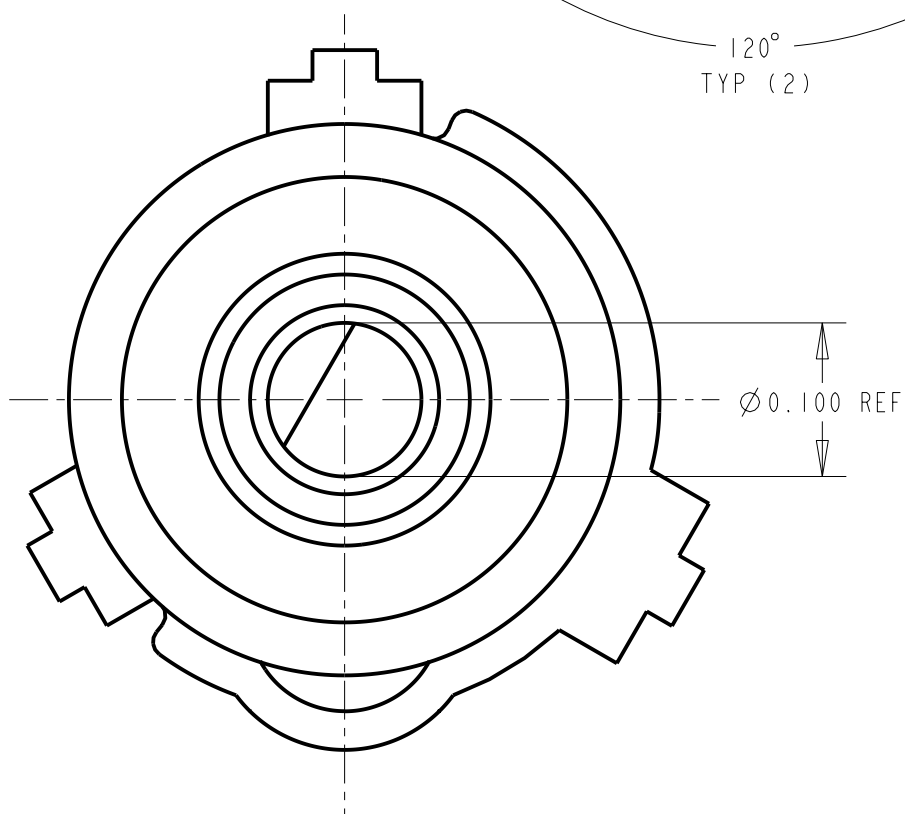
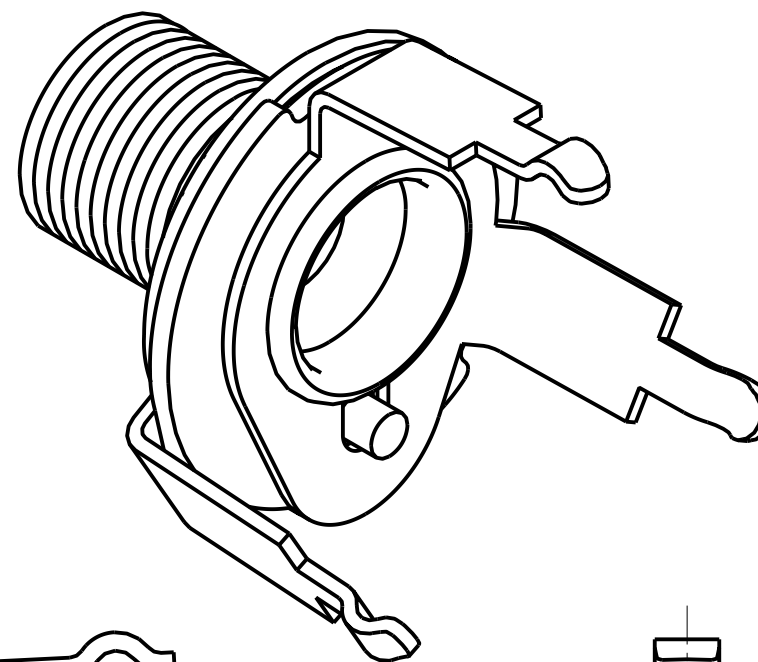
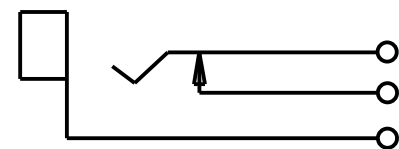


PC LAYOUT
COMPONENT SIDE
SCALE: 1=0.200

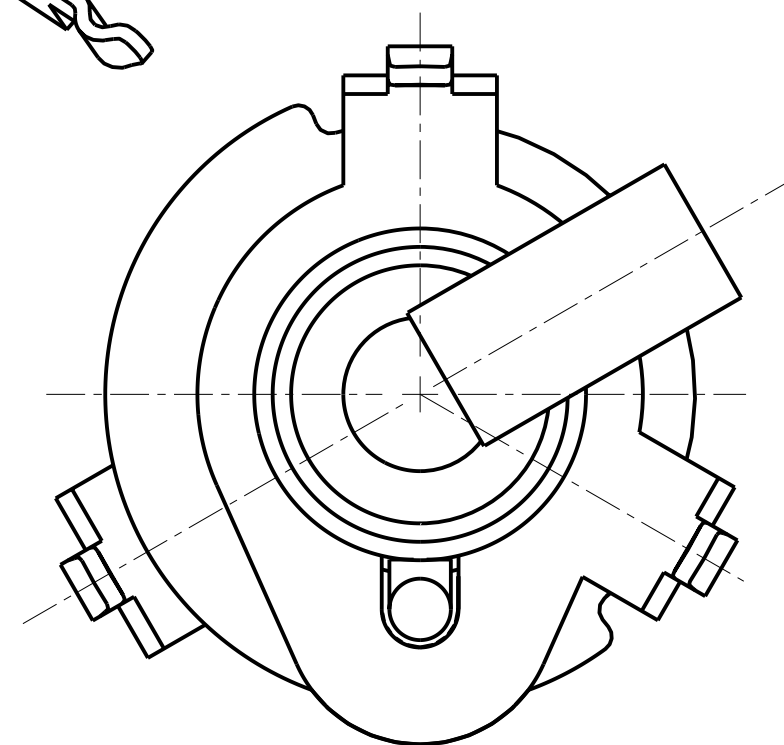
B



SCHEMATIC



#10-48 NS-2A THREAD
REF



CUSTOMER DRAWING

MATERIALS:

THREADED BUSHING - BRASS, NICKEL PLATED
SPRING & TERMINALS - NICKEL SILVER ALLOY,
ELECTRO TIN PLATED
INSULATOR - POLYESTER

| REV | ECO NUMBER | DATE | BY | APVD |
|-----------|------------|---------|----|------|
| B | 22931 | 7-19-99 | JL | TJK |
| REVISIONS | | | | |

★ STAR SYMBOL DENOTES CRITICAL DIMENSION

UNLESS OTHERWISE SPECIFIED

- ALL DIMENSIONS IN INCHES
- TWO PLACE DECIMALS ±0.01
- THREE PLACE DECIMALS ±0.005
- ANGLES ±1°
- ALL DIA. CONCENTRIC WITHIN 0.005 T.I.R.
- FEATURES ON THE SAME CENTERLINE
MUST BE ALIGNED WITHIN ±0.002
- REMOVE ALL BURRS

DO NOT SCALE DRAWING

THIS DRAWING DESCRIBES A DESIGN CONSIDERED PROPRIETARY IN NATURE, DEVELOPED AND MANUFACTURED BY SWITCHCRAFT INC. AND IS RELEASED ON A CONFIDENTIAL BASIS FOR IDENTIFICATION PURPOSES ONLY.

| SIZE | WIDTH | MULT | LBS/M | TEMPER |
|---------------|-------|----------------|----------------|--------|
| FINISH | | MATERIAL | | |
| SPEC No. | | SPEC No. | | |
| FIRST USED ON | | SCALE | | |
| | | 1=0.125 | | |
| DATE DRAWN | BY | CHKD | APVD | |
| 3-24-94 | ES | BND 4-19-94 | GHJ 4-19-94 | |
| NAME | | PART No. | | REV |
| JACK ASSEMBLY | | TRIPC | | B |

Switchcraft

SHEET 1 OF 1