

# ER-148

19" Headend Equipment Rack - 48" Height

## Product Features:

Rail height – 48" / 27 rack spaces

EIA compliant

Standard 10-32 threading

Includes 32 rack screws

Steel construction

Load capacity – 400 lbs evenly distributed

Black static resistant powder coat finish

## Product Specifications:

*(for Architects & Engineers)*

The headend equipment rack shall be the Video Mount Products (VMP) model ER-148. The rack shall be capable of accommodating standard 19" racking equipment. The rack channels shall be tapped with 10-32 holes in universal EIA spacing. The rack shall have 27 rack spaces. The rack shall include 32 rack screws. The rack shall be painted with a durable black powder coat finish.

## Video Mount Products

345 Log Canoe Circle

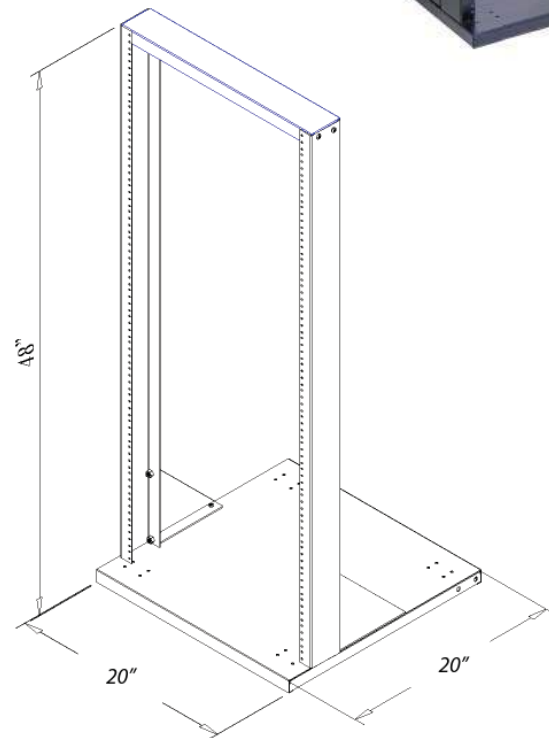
Stevensville, MD 21666

Toll Free: 877.281.2169

Telephone: 410.643.6390

Facsimile: 410.643.6615

[www.videomount.com](http://www.videomount.com)



**VMP**  
VIDEO MOUNT PRODUCTS