

# MACX MCR-IDS-2I-2I(-SP)



## Output signal conditioner, 2-channel



Data sheet  
109173\_en\_02

© PHOENIX CONTACT 2021-05-27

### 1 Description

The 2-channel output signal conditioner is used for electrically isolated actuation of I/P transducers, regulating valves, and displays.

The device isolates and transmits 0.2/4 mA ... 20 mA signals.

For the purpose of operating HART actuators, the analog measured value can be overlaid with digital communication signals (HART) and transmitted bidirectionally in an electrically isolated manner.

Sockets are integrated into the COMBICON connectors for connecting HART (HHT) communicators.

The device enables open-circuit and short-circuit monitoring.

An open or short-circuited field circuit causes a high input impedance on the controller side, thus enabling open-circuit and short-circuit monitoring via the control system.

Readiness for operation is indicated via a green LED.

The device is approved for safety-related applications up to SIL 2 (1oo1) / SIL 3 (1oo2).

### Features

- 2-channel
- Input 0.2/4 mA ... 20 mA
- Output 0.2/4 mA ... 20 mA
- Output load up to 700  $\Omega$
- Bidirectional HART signal transmission
- Short circuit monitoring
- Line break monitoring
- Up to SIL 2 (1oo1) / SIL 3 (1oo2) in accordance with IEC/EN 61508
- Safe electrical isolation between input, output, and supply
- Power supply possible via DIN rail connector
- Installation in Ex zone 2 permitted
- Plug-in connection terminal blocks, either screw or spring-cage connection technology (Push-in technology)
- Housing width of 12.5 mm
- High transmission accuracy



#### WARNING: Explosion hazard

The EPL Gc (ATEX category 3) device is designed for installation in zone 2 potentially explosive areas. It satisfies the requirements of the following standards. Comprehensive details are to be found in the EU Declaration of Conformity, which is enclosed and also available on our website in the latest version:

IEC/EN 60079-0, IEC/EN 60079-7

When installing and operating the device, the applicable safety directives (including national safety directives), accident prevention regulations, as well as general technical regulations must be observed.



Make sure you always use the latest documentation.

It can be downloaded from the product at [phoenixcontact.net/products](https://phoenixcontact.net/products).

This document is valid for the products listed in the "Ordering data".

---

<b>2</b>	<b>Table of contents</b>	
1	Description .....	1
2	Table of contents .....	2
3	Ordering data .....	3
4	Technical data .....	5
5	Safety regulations and installation notes.....	9
	5.1 Installation notes .....	9
	5.2 Installation in Zone 2.....	9
	5.3 Potentially dust-explosive areas .....	9
	5.4 UL note .....	9
	5.5 Safety-related applications (SIL).....	9
6	Installation .....	10
	6.1 Connection notes .....	10
	6.2 Electrostatic discharge .....	10
	6.3 Structure .....	10
	6.4 Basic circuit diagram with connection terminal blocks .....	11
	6.5 Input.....	11
	6.6 Output .....	11
	6.7 Power supply.....	11
	6.8 Dimensions .....	12
	6.9 Mounting .....	12
	6.10 Connecting the cables .....	13
	6.11 Startup.....	13
7	Safety-related applications .....	14
	7.1 Safety function .....	14
	7.2 Safety integrity requirements .....	15
	7.3 Conditions .....	18
	7.4 Installation and startup .....	18
	7.5 Notes on operation.....	19
	7.6 Recurring checks.....	19
	7.7 Repair.....	19
	7.8 Standards.....	20
	7.9 Abbreviations .....	20

### 3 Ordering data

Description	Type	Order No.	Pcs./Pkt.
2-channel output signal conditioner, HART. Isolates and transmits 0/4 ... 20 mA signals to a load in the safe zone. Galvanic 4-way electrical isolation, line fault detection, SIL 2 (SC3) in accordance with IEC 61508, screw connection.	MACX MCR-IDS-2I-2I	2908065	1
2-channel output signal conditioner, HART. Isolates and transmits 0/4 ... 20 mA signals to a load in the safe zone. Galvanic 4-way electrical isolation, line fault detection, SIL 2 (SC3) in accordance with IEC 61508, Push-in connection.	MACX MCR-IDS-2I-2I-SP	2908066	1
Accessories	Type	Order No.	Pcs./Pkt.
DIN rail connector (TBUS), 5-pos., for bridging the supply voltage, can be snapped onto NS 35/... DIN rails according to EN 60715	ME 6,2 TBUS-2 1,5/5-ST-3,81 GY	2695439	10
Power and fault signaling module with screw connection, including corresponding ME 17,5 TBUS 1,5/ 5-ST-3,81 GY DIN rail connector	MACX MCR-PTB	2865625	1
Power and fault signaling module with Push-in connection, including corresponding ME 17,5 TBUS 1,5/ 5-ST-3,81 GY DIN rail connector	MACX MCR-PTB-SP	2924184	1
Universal termination carrier for connecting 16 MACX Analog Ex i signal conditioners to digital or analog I/O cards, via D-SUB connector, 37-pos. (1:1 connection), with HART multiplexer connection	TC-D37SUB-AIO16-EX-PS-UNI	2902932	1
Universal termination carrier for connecting 16 MACX Analog Ex i signal conditioners to digital or analog I/O cards, via D-SUB connector, 37-pos. (1:1 connection)	TC-D37SUB-ADIO16-EX-P-UNI	2924854	1
Insulating sleeve, color: white	MPS-IH WH	0201663	10
Insulating sleeve, color: red	MPS-IH RD	0201676	10
Insulating sleeve, color: blue	MPS-IH BU	0201689	10
Insulating sleeve, color: yellow	MPS-IH YE	0201692	10
Insulating sleeve, color: green	MPS-IH GN	0201702	10
Insulating sleeve, color: gray	MPS-IH GY	0201728	10
Insulating sleeve, color: black	MPS-IH BK	0201731	10
Test plugs, with solder connection up to 1 mm <sup>2</sup> conductor cross section, color: gray	MPS-MT	0201744	10
Plastic label, Sheet, white, unlabeled, can be labeled with: BLUEMARK ID COLOR, BLUEMARK ID, BLUEMARK CLED, PLOTMARK, CMS-P1-PLOTTER, mounting type: adhesive, lettering field size: 11 x 9 mm, Number of individual labels: 10	UC-EMLP (11X9)	0819291	10

Accessories	Type	Order No.	Pcs./Pkt.
Plastic label, Sheet, yellow, unlabeled, can be labeled with: BLUEMARK ID COLOR, BLUEMARK ID, BLUEMARK CLED, PLOTMARK, CMS-P1-PLOTTER, mounting type: adhesive, lettering field size: 11 x 9 mm, Number of individual labels: 10	UC-EMLP (11X9) YE	0822602	10
Plastic label, can be ordered: by sheet, white, labeled according to customer specifications, mounting type: adhesive, lettering field size: 11 x 9 mm	UC-EMLP (11X9) CUS	0824547	1
Plastic label, can be ordered: by sheet, yellow, labeled according to customer specifications, mounting type: adhesive, lettering field size: 11 x 9 mm	UC-EMLP (11X9) YE CUS	0824548	1
Plastic label, Sheet, silver, unlabeled, can be labeled with: BLUEMARK ID COLOR, BLUEMARK ID, BLUEMARK CLED, PLOTMARK, CMS-P1-PLOTTER, mounting type: adhesive, lettering field size: 11 x 9 mm, Number of individual labels: 10	UC-EMLP (11X9) SR	0828094	10
Plastic label, can be ordered: by sheet, silver, labeled according to customer specifications, mounting type: adhesive, lettering field size: 11 x 9 mm, Number of individual labels: 10	UC-EMLP (11X9) SR CUS	0828098	1
Plastic label, Card, white, unlabeled, can be labeled with: BLUEMARK ID COLOR, BLUEMARK ID, THERMOMARK PRIME, THERMOMARK CARD 2.0, THERMOMARK CARD, mounting type: adhesive, lettering field size: 11 x 9 mm, Number of individual labels: 135	US-EMLP (11X9)	0828789	10
Plastic label, Card, yellow, unlabeled, can be labeled with: BLUEMARK ID COLOR, BLUEMARK ID, THERMOMARK PRIME, THERMOMARK CARD 2.0, THERMOMARK CARD, mounting type: adhesive, lettering field size: 11 x 9 mm, Number of individual labels: 135	US-EMLP (11X9) YE	0828871	10
Plastic label, Card, silver, unlabeled, can be labeled with: BLUEMARK ID COLOR, BLUEMARK ID, THERMOMARK PRIME, THERMOMARK CARD 2.0, THERMOMARK CARD, mounting type: adhesive, lettering field size: 11 x 9 mm, Number of individual labels: 135	US-EMLP (11X9) SR	0828872	10
Device marker, Sheet, white, unlabeled, can be labeled with: TOPMARK NEO, TOPMARK LASER, mounting type: adhesive, lettering field size: 11 x 9 mm, Number of individual labels: 255	LS-EMLP (11X9) WH	0831678	10
Device marker, Sheet, silver, unlabeled, can be labeled with: TOPMARK NEO, TOPMARK LASER, mounting type: adhesive, lettering field size: 11 x 9 mm, Number of individual labels: 255	LS-EMLP (11X9) SR	0831705	10
Device marker, Sheet, yellow, unlabeled, can be labeled with: TOPMARK NEO, TOPMARK LASER, mounting type: adhesive, lettering field size: 11 x 9 mm, Number of individual labels: 255	LS-EMLP (11X9) YE	0831732	10

## 4 Technical data

Input data	
Current input signal	0.2 mA ... 20 mA (Function) 4 mA ... 20 mA (Safety) 0 mA ... 24 mA (Underload/overload range)
Input current	≤ 30 mA
Input impedance in the event of a line fault at the output	> 1 MΩ (If there is a line fault)
Line fault detection	Response threshold of input current >0.2 mA
Voltage drop	< 2.4 V (at 20 mA)
Output	
Output description	Current output
Current output signal	0.2 mA ... 20 mA (Function) 4 mA ... 20 mA (Safety) 0 mA ... 24 mA (Underload/overload range)
Transmission Behavior	1:1 to input signal
Load	100 Ω ... 700 Ω (20 mA) 100 Ω ... 650 Ω (20.5 mA) 100 Ω ... 500 Ω (24 mA)
Output ripple	< 20 mV <sub>rms</sub>
Non-load voltage	≤ 27 V
Wire-break detection	Load >10 kΩ
Short-circuit detection	Load <50 Ω
General data	
Nominal supply voltage	24 V DC
Supply voltage range	19.2 V DC ... 30 V DC (24 V DC -20%...+25%)
Max. current consumption	< 85 mA (at 24 V DC / 20 mA)
Power dissipation	< 1.4 W (at 24 V DC / 20 mA)
Power consumption	≤ 2 W (at 24 V DC / 20 mA)
Transmission error, typical	≤ 0.05 % (of final value)
Maximum transmission error	0.1 % (of final value)
Temperature coefficient, typical	≤ 0.005 %/K
Maximum temperature coefficient	0.01 %/K
Step response (10-90%)	< 140 μs (for 4 mA ... 20 mA step)
HART function	Yes
Protocols supported	HART
Signal bandwidth	as per HART specifications
Degree of protection	IP20
Flammability rating according to UL 94	V0 (Housing)
Overvoltage category	II
Degree of pollution	2
Status display	Green LED (supply voltage)

General data	
Dimensions W/H/D	12.5 mm / 112.5 mm / 113.7 mm ( MACX MCR-IDS-2I-2I ) 12.5 mm / 116 mm / 113.7 mm ( MACX MCR-IDS-2I-2I-SP )
Depth ( Snapped onto DIN rail NS 35/7,5 in accordance with EN 60715 )	114.5 mm
Type of housing	PA 6.6-FR gray
Ambient conditions	
Ambient temperature (operation)	-40 °C ... 70 °C (Any mounting position)
Ambient temperature (storage/transport)	-40 °C ... 85 °C
Permissible humidity (operation)	5 % ... 95 % (non-condensing)
Altitude range	
Description	Ex applications
Altitude	≤ 2000 m
Ambient temperature (operation)	-40 °C ... 70 °C
Rated insulation voltage	320 V (Power supply, input / output)
Altitude range	
Description	Ex applications
Altitude	≤ 3000 m
Ambient temperature (operation)	-40 °C ... 60 °C
Rated insulation voltage	190 V (Power supply, input / output)
Altitude range	
Description	Ex applications
Altitude	≤ 4000 m
Ambient temperature (operation)	-40 °C ... 55 °C
Rated insulation voltage	63 V (Power supply, input / output)
Altitude range	
Description	Ex applications
Altitude	≤ 5000 m
Ambient temperature (operation)	-40 °C ... 45 °C
Rated insulation voltage	63 V (Power supply, input / output)
Altitude range	
Description	Non-Ex applications (EN 61010-1)
Altitude	≤ 2000 m
Ambient temperature (operation)	-40 °C ... 70 °C
Rated insulation voltage	300 V (Power supply, input / output)
Altitude range	
Description	Non-Ex applications (EN 61010-1)
Altitude	≤ 3000 m
Ambient temperature (operation)	-40 °C ... 60 °C
Rated insulation voltage	150 V (Power supply, input / output)
Altitude range	
Description	Non-Ex applications (EN 61010-1)
Altitude	≤ 4000 m
Ambient temperature (operation)	-40 °C ... 55 °C
Rated insulation voltage	150 V (Power supply, input / output)
Altitude range	
Description	Non-Ex applications (EN 61010-1)
Altitude	≤ 5000 m
Ambient temperature (operation)	-40 °C ... 45 °C
Rated insulation voltage	150 V (Power supply, input / output)

**Electrical isolation ( ≤ 2000 m )**

Input/output	
Rated insulation voltage	300 V <sub>rms</sub>
Test voltage	2.5 kV AC (50 Hz, 1 min.)
Insulation	Safe isolation in accordance with IEC/EN 61010-1

Input/power supply	
Rated insulation voltage	50 V <sub>rms</sub>
Test voltage	1.5 kV AC (50 Hz, 1 min.)
Insulation	Basic insulation in accordance with IEC/EN 61010-1

Output/supply	
Rated insulation voltage	300 V <sub>rms</sub>
Test voltage	2.5 kV AC (50 Hz, 1 min.)
Insulation	Safe isolation in accordance with IEC/EN 61010-1

Input 1/input 2, output 1/output 2	
Test voltage	1.5 kV AC (50 Hz, 1 min.)

Connection data	Screw connection	Push-in connection
Conductor cross section, rigid	0.2 mm <sup>2</sup> ... 2.5 mm <sup>2</sup>	0.2 mm <sup>2</sup> ... 1.5 mm <sup>2</sup>
Conductor cross section, flexible	0.2 mm <sup>2</sup> ... 2.5 mm <sup>2</sup>	0.2 mm <sup>2</sup> ... 1.5 mm <sup>2</sup>
Conductor cross section AWG	24 ... 14	24 ... 16
Stripping length	7 mm	8 mm
Tightening torque	0.5 Nm ... 0.6 Nm	
Diameter COMBICON connection in the connector	2 mm	2 mm

**Conformance with EMC directive**

Noise immunity according to EN 61000-6-2  
 When being exposed to interference, there may be minimal deviations.

Noise emission according to EN 61000-6-4

**Conformance/Approvals**

CE  
 CE-compliant  
 and EN 61326

ATEX  
 BVS 20 ATEX E 003 X

⊕ II 3 G Ex ec IIC T4 Gc

IECEX  
 IECEX BVS 20.0003X

Ex ec IIC T4 Gc

CCC / China-Ex

Ex nA IIC T4 Gc

INMETRO  
 DNV 21.0092 X

Ex ec IIC T4 Gc

UL, USA/Canada

UL 61010 Listed  
 Class I, Div. 2, Groups A, B, C, D T4  
 Class I, Zone 2, Group IIC T4

Shipbuilding approval  
 DNV GL TAA00000AG

Temperature

B

Humidity

B

Vibration

A

EMC

B

Enclosure

Required protection according to the Rules shall be provided upon installation on board

Safety Integrity Level (SIL, IEC 61508)

3

Systematic Capability

3



## 5 Safety regulations and installation notes

### 5.1 Installation notes

- The EPL Gc (ATEX category 3) device is designed for installation in zone 2 potentially explosive areas. It satisfies the requirements of the following standards. Comprehensive details are to be found in the EU Declaration of Conformity which is enclosed and also available on our website in the latest version:  
IEC/EN 60079-0, IEC/EN 60079-7  
GB 3836.8, GB 3836.1  
ABNT NBR IEC 60079-0, ABNT NBR IEC 60079-7
- Installation, operation, and maintenance may only be carried out by qualified electricians. Follow the installation instructions as described. When installing and operating the device, the applicable regulations and safety directives (including national safety directives), as well as general technical regulations, must be observed. For the safety data, refer to this document and the certificates (EU examination certificate and other approvals if appropriate).
- The device must not be opened or modified. Do not repair the device yourself, replace it with an equivalent device. Repairs may only be carried out by the manufacturer. The manufacturer is not liable for damage resulting from violation.
- The IP20 degree of protection (IEC/EN 60529) specifies that the device is intended for use in a clean and dry environment. Do not subject the device to mechanical and/or thermal stress that exceeds the specified limits.
- The device complies with the EMC regulations for industrial areas (EMC class A). When using the device in residential areas, it may cause radio interference.
- A SELV/PELV power supply unit with a nominal voltage of 24 V DC (max. 30 V DC) is needed for the external power supply of the device.
- During installation, servicing, and maintenance work, disconnect the device from all effective power sources, provided you are not dealing with SELV or PELV circuits.
- Only use copper connecting cables.
- The specified ambient temperature range of  $-40^{\circ}\text{C} \leq T_{\text{amb}} \leq +70^{\circ}\text{C}$  refers to the temperature inside the housing.

### 5.2 Installation in Zone 2

- Observe the specified conditions for use in potentially explosive areas. Install the device in a suitable approved housing with at least IP54 protection that meets the requirements of IEC/EN 60079-7 or another

degree of protection in accordance with ABNT NBR IEC 60079-0, Section 1. Also observe the requirements of IEC/EN 60079-14.

- In potentially explosive areas, it is only permissible to snap the device on or off the DIN rail connector and to connect or disconnect non-intrinsically-safe cables when the power is disconnected.
- The device must be stopped and immediately removed from the Ex area if it is damaged, was subject to an impermissible load, stored incorrectly or if it malfunctions.

### 5.3 Potentially dust-explosive areas

- The device is not suitable for installation in zone 22.
- If you nevertheless intend to use the device in zone 22, you must install it in a housing according to IEC/EN 60079-31. Observe the maximum surface temperatures in this case. Adhere to the requirements of IEC/EN 60079-14.

### 5.4 UL note

#### PROCESS CONTROL EQUIPMENT FOR HAZARDOUS LOCATIONS

- 1 WARNING EXPLOSION HAZARD - Do not disconnect equipment unless power has been removed or the area is known to be non-hazardous.
- 2 WARNING - EXPLOSION HAZARD - Substitution of components may impair suitability for Class I, Zone 2/ Division 2.

### 5.5 Safety-related applications (SIL)

When using the device in safety-related applications, observe the instructions in "Safety-related applications", as the requirements differ for safety-related functions.

## 6 Installation

### 6.1 Connection notes



#### **WARNING: Electrical danger due to improper installation**

Observe the connection notes for safe installation in accordance with EN/UL 61010-1:

- Disconnecting devices and branch circuit protection with suitable AC or DC rating shall be provided in the building installation.
- The device is intended for installation in a control cabinet or in a comparable enclosure. The device may only be operated when it has been installed. The control cabinet must meet the requirements of UL/IEC 61010-1 in terms of protection against spread of fire and protection against electric shock or burn.
- Provide for a switch/circuit-breaker in the vicinity of a device that is marked as disconnect device for this device.
- Provide overcurrent protection ( $I \leq 6 \text{ A}$ ) within the installation.
- For UL applications, install a UL-approved (JDYX2) overcurrent protection unit ( $I \leq 6 \text{ A}$ ,  $U > 30 \text{ V DC}$ , usable in DC circuits, slow-blow) in the installation.
- To protect the device against mechanical or electrical damage, install it in suitable housing with an appropriate degree of protection according to IEC/EN 60529.
- During maintenance work, disconnect the device from all effective power sources.
- If the device is not used as described in the documentation, the intended protection can be negatively affected.
- Thanks to its housing, the device has basic insulation to the neighboring devices, for 300 Veff. If several devices are installed next to each other, this has to be taken into account, and additional insulation has to be installed if necessary! If the neighboring device is equipped with basic insulation, no additional insulation is necessary.
- The voltages applied at the input, output, and power supply are extra-low voltages (ELV). Depending on the application, it can be the case that a voltage that is dangerous to the touch ( $>30 \text{ V AC}$  /  $>60 \text{ V DC}$ ) against the ground could be present on the device. In this case, a safe galvanic isolation exists between the input side and the output side.

### 6.2 Electrostatic discharge

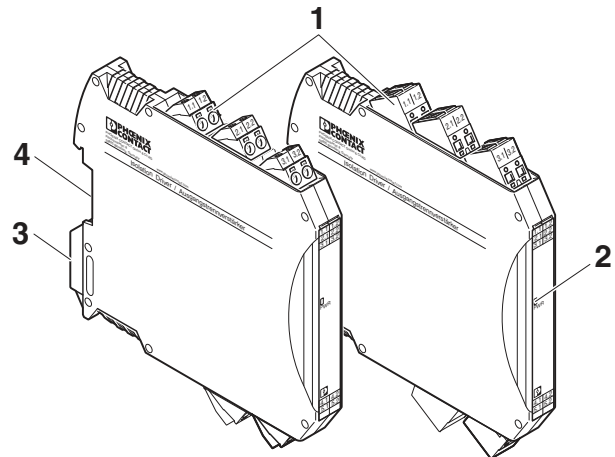


#### **NOTE: Electrostatic discharge**

The device contains components that can be damaged or destroyed by electrostatic discharge. When handling the device, observe the necessary safety precautions against electrostatic discharge (ESD) according to EN 61340-5-1 and IEC 61340-5-1.

### 6.3 Structure

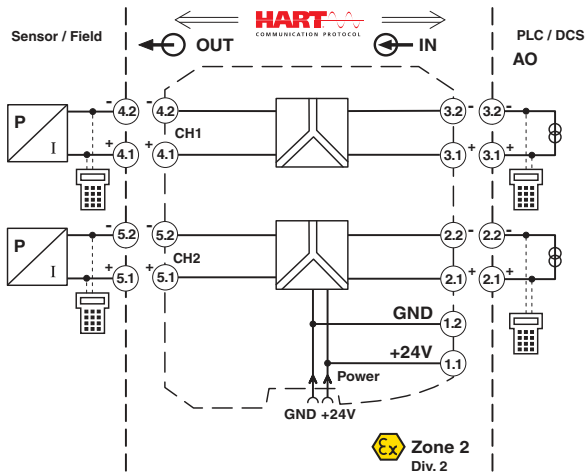
Figure 1 Structure



- 1 COMBICON plug-in, screw, or push-in connection terminal with integrated test socket
- 2 Green "PWR" LED, power supply
- 3 Snap-on foot for DIN rail mounting
- 4 Connection for DIN rail connector

## 6.4 Basic circuit diagram with connection terminal blocks

Figure 2 Basic circuit diagram



### 6.5 Input

- Channel 1 on terminal blocks 3.1 (+) and 3.2 (-)
- Channel 2 on terminal blocks 2.1 (+) and 2.2 (-)

### 6.6 Output

- Channel 1 on terminal blocks 4.1 (+) and 4.2 (-)
- Channel 2 on terminal blocks 5.1 (+) and 5.2 (-)

## 6.7 Power supply

The supply voltage can be supplied via terminal points 1.1 and 1.2 or via the DIN rail connector.



### NOTE

Never connect the supply voltage directly to the DIN rail connector. It is not permitted to draw power from the DIN rail connector or from individual modules.

### Supply via the MACX Analog module

Where the total current consumption of the aligned modules does not exceed 400 mA, the power can be supplied directly at the connection terminal blocks of the module.

Up to 16 modules can be supplied depending on the current consumption of the modules.

We recommend connecting a 630 mA fuse (normal-blow or slow-blow) upstream.

### Supply via power and error message module

The MACX MCR-PTB (Order No. 2865625) or the MACX MCR-PTB-SP (Order No. 2924184) supply and error message module is used to provide the supply voltage to the DIN rail connector.

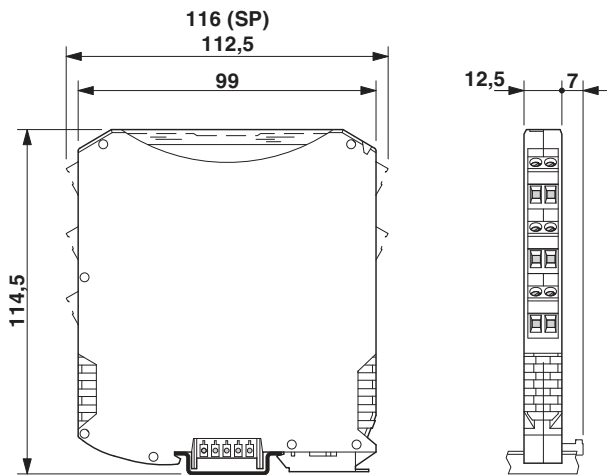
Simple or redundant diode-decoupled power supply is possible.

Depending on the current consumption of the modules, up to 150 individual modules can be supplied by a supply that is protected by a fuse.

The module has integrated error evaluation. An auxiliary supply failure or fuse fault is indicated at a relay contact and displayed via a flashing LED.

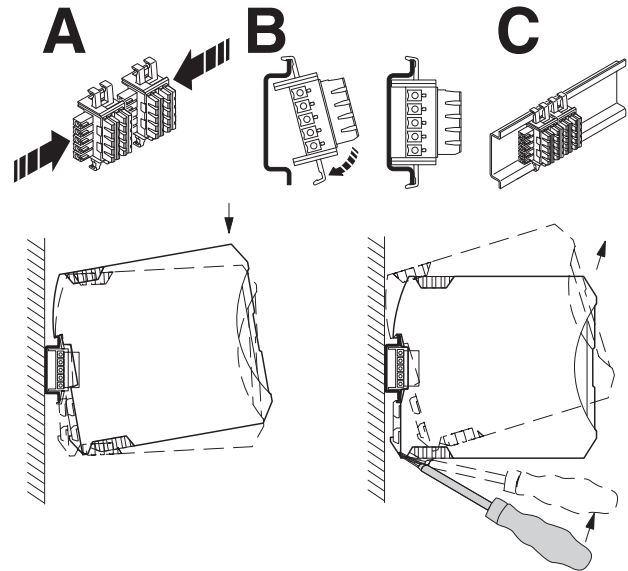
## 6.8 Dimensions

Figure 3 Dimensions



## 6.9 Mounting

Figure 4 Mounting and removing

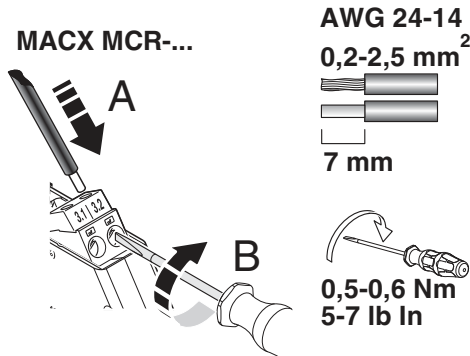


- Mount the device on a 35 mm DIN rail according to EN 60715.
- When using the DIN rail connector, first insert it in the 35 mm DIN rail according to EN 60715 (A - C). DIN rails with a height of 7.5 mm or more can be used. The DIN rail connector is used to bridge the power supply and communication.
- The snap-in direction of the device and DIN rail connector must be observed: snap-on foot on the bottom and plug on the left.
- Install the module in a suitable housing to meet the requirements for the protection class.

## 6.10 Connecting the cables

### Screw Connection

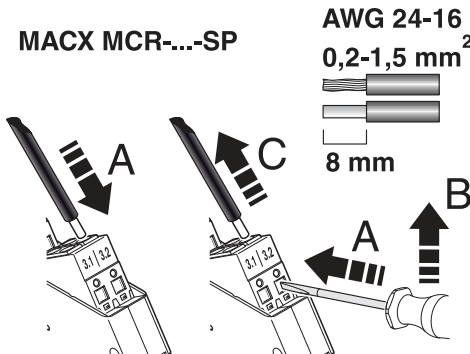
Figure 5 Screw connection



- Strip the wire by approximately 7 mm and crimp ferrules to the end of the wires.
- Insert the wire into the corresponding connection terminal block.
- Use a screwdriver to tighten the screw in the opening above the connection terminal block.  
Tightening torque: 0.6 Nm

### Push-in connection:

Figure 6 Push-in connection



- Strip the wire by approximately 8 mm and crimp ferrules to the end of the wires.
- Insert the wire into the corresponding connection terminal block.
- Push in the pushbutton with a screwdriver to release.

## 6.11 Startup

- Before startup, check that the device is operating and wired correctly

## 7 Safety-related applications

The following notes apply for the devices:

Designation	Order No.
MACX MCR-IDS-2I-2I	2908065
MACX MCR-IDS-2I-2I-SP	2908066
MACX MCR-EX-IDS-2I-2I	2865421
MACX MCR-EX-IDS-2I-2I-SP	2904931

The safety devices listed above are certified in compliance with DIN EN 61508-1:2011, DIN EN 61508-2:2011, and DIN EN 62061:2016. Certificate: ZP/C002/20

### 7.1 Safety function

The device performs the safety function of galvanic electrically isolated forwarding an input current signal in a proportional (1:1) output signal of 4 mA ... 20 mA with a maximum error of 2%.

The process safety time is <2s.

#### Safe state and error definition

Output values < 3.6 mA are considered the safe state, which must be detected by the downstream I/P converters, displays, etc., or via additional evaluation using a controller.

Safe failures in the device are therefore those errors where the device sends an output signal that deviates from the input signal by no more than 2 %.

Dangerous undetectable failures are those where the device does not follow a change in the input signal or deviates from the input signal by more than 2%.

Dangerous, detectable failures are those that send a signal < 3.6 mA.

### Operating mode of the safety function

In accordance with IEC 61508, the device is suitable for the following operating modes:

- Low demand rate
- Continuous demand rate
- High demand rate

You can operate the device in safety-related applications in the following modes:

1. SIL 3, SC 3, 1oo2: In 2-channel coupled mode, both channels will be operated redundantly for one safety application.
2. SIL 2, SC 3, 2x 1oo1: In 2-channel separated mode, each single channel will be operated for a separate safety application.
3. SIL 2, SC 3, 1x 1oo1: In 1-channel mode, one of the two channels will be operated for one safety application. The second channel is available for a non-safety technology application.

## 7.2 Safety integrity requirements

### 7.2.1 Error rates



The specified safety characteristics only relate to the device and do not include the connected actuators.

#### 2-channel coupled mode (2x SIL 2 -> SIL 3 1oo2, 2x same measurement task)



#### NOTE

Check both output signals for the maximum permissible deviation of 2% using an external comparator in order to achieve a potential SIL 3 application.

- Type A device (according to IEC/EN 61508-2)
- Safety integrity level (SIL) 3 (1oo2 structure)
- Beta factor 2%
- HFT 1
- MTTR 24 h
- Mission time 20 years
- 1oo2 architecture
- Ambient temperature 40°C
- Proof test coverage (PTC) 95%

$\lambda_{SU}$	$\lambda_{SD}$	$\lambda_{DU}$	$\lambda_{DD}$	SFF	DC <sub>D</sub>
39.26	0.07	2.77	30.75	96.2 %	91.73 %

The total failure rate  $\lambda_{tot}$  per channel, including the components that are not part of the safety function, is 1705.32 FIT (in accordance with SN 29500).

The MTBF is 55 years.

The average probability of the specified function failing on demand for “low demand” mode and the probability of a dangerous failure per hour for “continuous demand” mode are calculated based on the failure rates.

T [PROOF]	1 year	2 years	3 years	4 years	5 years	6 years	7 years	8 years
PFD <sub>avg</sub>	1.21 * 10 <sup>-5</sup>	2.43 * 10 <sup>-5</sup>	3.66 * 10 <sup>-5</sup>	4.89 * 10 <sup>-5</sup>	6.13 * 10 <sup>-5</sup>	7.37 * 10 <sup>-5</sup>	8.62 * 10 <sup>-5</sup>	9.87 * 10 <sup>-5</sup>



The values with a magnitude of  $<10 \cdot 10^{-5}$  mean that the calculated PFD<sub>avg</sub> values are within the permitted range for SIL 3 in accordance with Table 2 of IEC/EN 61508-1. They meet the requirement to not cover more than 10% of the safety circuit, i.e., they are better than or equal to  $1.00 \cdot 10^{-4}$ .

The values with a magnitude of  $>10 \cdot 10^{-5}$  mean that the calculated PFD<sub>avg</sub> values are within the permitted range for SIL 3 in accordance with Table 2 of IEC/EN 61508-1. However, they do not meet the requirement to not cover more than 10% of the safety circuit, i.e., they are not better than or equal to  $1.00 \cdot 10^{-4}$ .

**High demand rate (high demand mode)**

The failure rates result in the following PFH value:

$PFH = 2.77 \cdot 10^{-9}/h$

The requirements for the PFH value for an SIL 3 system are therefore met.

When calculating the PFD<sub>avg</sub> and PFH values for the 2-channel operating mode, common cause failures with a  $\beta$  factor of 2% and  $\beta_D$  factor of 2% were included.

The remaining values mean that the calculated PFD<sub>avg</sub> values are within the permitted range for SIL 3 in accordance with Table 2 of IEC/EN 61508-1. However, they do not meet the requirement to not cover more than 10% of the safety circuit, i.e., they are not better than or equal to  $1.00 \cdot 10^{-4}$ .

Low demand mode is used as a basis (PFD<sub>avg</sub> values). In SIL 3 applications, if the percentage of the device for the entire safety circuit is assumed to be a maximum of 10%, the maintenance interval can be increased to up to 8 years.

Safety circuit according to IEC / EN 61508-1			
Sensor	Device	Processing	Actuator
25 %	< 10 %	15 %	50 %



**2-channel mode (2x SIL 2, 2x 1oo1, the two channels are operated individually) and 1-channel mode (SIL 2, 1oo1, just one channel is used; the second channel is available for e.g. non-safety technology-related applications)**

- Type A device (according to IEC/EN 61508-2)
- Safety integrity level (SIL) 2 (1oo1 structure)
- HFT 0
- MTTR 24 h
- Mission time 20 years
- 1oo1 architecture
- Ambient temperature 40°C
- Proof test coverage (PTC) 95%

$\lambda_{SU}$	$\lambda_{SD}$	$\lambda_{DU}$	$\lambda_{DD}$	SFF	DC <sub>D</sub>
156	1	38	34.5	83.44 %	47.54 %

The total failure rate  $\lambda_{tot}$  per channel, including the components that are not part of the safety function, is 981.31 FIT (in accordance with SN 29500).

The MTBF is 55 years.

The average probability of the specified function failing on demand for “low demand” mode and the probability of a dangerous failure per hour for “continuous demand” mode are calculated based on the failure rates.

#### Low demand rate (low demand mode)

The failure rates result in the following PFD<sub>avg</sub> values:

T [PROOF]	1 year	2 years	3 years	4 years	5 years	6 years	7 years
PFD <sub>avg</sub>	$1,67 * 10^{-4}$	$3,33 * 10^{-4}$	$5 * 10^{-4}$	$6,66 * 10^{-4}$	$8,32 * 10^{-4}$	$9,99 * 10^{-4}$	$1,17 * 10^{-3}$



The values with a magnitude of  $<10 * 10^{-4}$  mean that the calculated PFD<sub>avg</sub> values are within the permitted range for SIL 2 in accordance with Table 2 of IEC/EN 61508-1. They meet the requirement to not cover more than 10% of the safety circuit, i.e., they are better than or equal to  $1,00 * 10^{-3}$ .

The values with a magnitude of  $>10 * 10^{-4}$  mean that the calculated PFD<sub>avg</sub> values are within the permitted range for SIL 2 in accordance with Table 2 of IEC/EN 61508-1. However, they do not meet the requirement to not cover more than 10% of the safety circuit, i.e., they are not better than or equal to  $1,00 * 10^{-3}$ .

### High demand rate (high demand mode)

The failure rates result in the following PFH value:

$$PFH = 38.01 \cdot 10^{-9}$$

Low demand mode is used as a basis. In SIL 2 applications, if the percentage of the device for the entire safety circuit is assumed to be a maximum of 10%, the maintenance interval can be increased to up to 6 years.

Safety circuit according to IEC / EN 61508-1			
Sensor	Device	Processing	Actuator
25 %	< 10 %	15 %	50 %

### 7.3 Conditions

- The failure rates of the components used remain constant throughout the period of use.
- The propagation of errors by the device in the system is not taken into consideration.
- The failure rates of the external power supply are not taken into consideration.
- The specified error rates are based on an ambient temperature of +40°C. For an ambient temperature of +60°C, the error rates must be multiplied by factor 2.5. Factor 2.5 is based on guide values.
- The supplying power supply unit must be able to absorb an interruption to the supply voltage of 20 ms.

### 7.4 Installation and startup



**NOTE:** Installation, operation, and maintenance may only be carried out by professionals.



#### NOTE

Use modification protection in accordance with IEC/EN 61508-2, Annex A, Table A.17.

For example, you can install the device in a control cabinet with a key lock.



#### NOTE

Implement the measures against temperature increase at the installation location in accordance with IEC/EN 61508-2, Annex A, Table A.16.

During installation, observe the instructions in the package slip:

Designation	MNR No.
PACKB.MACX MCR-IDS-2I-2I(-SP)	1141370
PACKB.MACX MCR-EX-IDS-2I-2I(-SP)	1137701

The package slip is supplied with the device. It can also be downloaded at: [phoenixcontact.net/products](http://phoenixcontact.net/products).

Lockable housing with IP54 protection is recommended for the installation of the devices.

- Connect the device according to the installation notes.
- Make sure that the connected actuator and measuring transducer are suitable for the intended configuration.
- Check that the device operates correctly with the measuring transducer and actuator connected.
- A calibrated actuator simulator and a calibrated digital multimeter may be required in order to check the device with the measuring transducer connected.
- Start up the safety circuit and check that it operates correctly.

## 7.5 Notes on operation

In normal operation, only the green LED (PWR) is permanently on.

If a failure occurs during operation, the output signal is usually set to a value outside the "normal" signal range of 3.6 ... 21 mA. The connected SIS should therefore check the validity of the read signal values and initiate appropriate measures in the event of deviations from the normal values.

Make sure that the connected measuring transducers respond to line faults at the actuators.

After being switched off and on again, the required voltages are established in the device. Signal transmission is then performed without further action.

## 7.6 Recurring checks

The function of the entire safety loop must be checked regularly according to IEC/EN 61508 and IEC/EN 61511.

The intervals for checking are specified by the intervals of each individual device within the safety loop.

It is the operator's responsibility to select the type of checks and the checking intervals in the specified time period.

Checking must be carried out in such a way that the correct function of the safety equipment in conjunction with all components can be verified.

In SIL applications, devices need to be checked at the latest after the maximum maintenance/test interval, if they cover a share of no more than 10% of the total safety circuit.

### Possible procedure for recurring checks for discovering dangerous and undetected device failures

A calibrated simulator (0.2/4 mA ... 20 mA current) or an actuator simulator and one or ideally two calibrated digital multimeters are required in order to check the devices.

1. Take appropriate steps to prevent incorrect use.
2. Disconnect the safety circuit from further processing.
3. Connect the current simulator to the input of the repeater power supply/signal conditioner.
4. Connect the digital multimeters to the input and output of the repeater power supply/signal conditioner.
5. Place a load of  $\geq 100 \Omega$  at the output.
6. At the input of the device, set signals in 2 mA increments in the 4 mA ... 20 mA range or set suitable signals with the actuator simulator at the input of the connected measuring transducer.
7. The output must be set to the same value.
8. Setting  $\leq 3.6$  mA verifies that downstream processing can detect error signals and evaluate them accordingly. If the output value deviates from the input value by more than 3 times the specified class accuracy rating, the device should be checked. In case of error, the device should be replaced with an equivalent device.

9. In the event of a wire break or short circuit at the output, check the input current ( $< 3.6$  mA) to test the short-circuit and wire-break monitoring.
10. Check both channels of the device.
11. Restore the safety circuit to full functionality.
12. Resume normal operation.

## 7.7 Repair

The devices have a long service life, are protected against malfunctions, and are maintenance-free.

However, if a device should fail, send it back to Phoenix Contact immediately. The type of malfunction and possible cause must also be stated.

Please use the original packaging or other suitable safe packaging when sending devices back for repairs or recalibration.

Phoenix Contact GmbH & Co. KG  
Abteilung Service und Reparatur  
Flachmarktstr. 8  
32825 Blomberg  
GERMANY

## 7.8 Standards

The devices are developed and tested according to the following standards:

<b>IEC/EN 61508-1: 2011</b>	Functional Safety of electrical/electronic/programmable electronic safety-related systems - Part 1: General requirements
<b>IEC/EN 61508-2: 2011</b>	Functional Safety of electrical/electronic/programmable electronic safety-related systems - Part 2: Requirements for electrical/electronic/programmable electronic safety-related systems
<b>IEC/EN 61326-1: 2006</b>	Electrical equipment for measurement, control and laboratory use - EMC requirements
<b>IEC/EN 61326-3-2: 2006</b>	Electrical equipment for measurement, control and laboratory use - EMC requirements - Part 3-2: Immunity requirements for safety-related systems and for equipment intended to perform safety-related functions (Functional Safety) - Industrial applications with specified electromagnetic environment

## 7.9 Abbreviations

Abbreviation		Meaning
$\beta$ factor	Beta factor	The $\beta$ factor represents the proportion of undetected failures as a result of a common cause.
$DC_D$	Diagnostic coverage of dangerous failures	Diagnostic coverage of dangerous failures: $DC_D = \lambda_{DD}/(\lambda_{DU} + \lambda_{DD})$
$DC_S$	Diagnostic coverage of safe failures	Diagnostic coverage of safe failures: $DC_S = \lambda_{SD}/(\lambda_{SU} + \lambda_{SD})$
FIT	Failure in time	1 FIT = 1 failure/ $10^9$ h
HFT	Hardware fault tolerance	Hardware fault tolerance: ability of a function unit to continue with the execution of a demanded function despite existing faults or deviations
$\lambda_D$	Rate of dangerous failures	Proportion of dangerous failures per hour
$\lambda_{DD}$	Rate of dangerous detected failures	Proportion of detected dangerous failures per hour
$\lambda_{DU}$	Rate of dangerous undetected failures	Proportion of undetected dangerous failures per hour
$\lambda_S$	Rate of safe failures	Proportion of safe failures per hour
$\lambda_{SD}$	Rate of safe detectable failures	Proportion of detectable safe failures per hour
$\lambda_{SU}$	Rate of safe undetectable failures	Proportion of undetectable safe failures per hour
MTBF	Mean time between failures	Mean time between consecutive failures
$PFD_{avg}$	Average probability of failure on demand	Average probability of dangerous failure on demand of a safety function
$PFH_D$	Probability of a dangerous failure per hour	Probability of failure per hour for the safety function
SC	Systematic Capability	Systematic capability
SFF	Safe failure fraction	Proportion of safe failures: proportion of failures without the potential to set the safety-related system to a dangerous or impermissible function state
SIL	Safety integrity level	International standard IEC 61508 defines four discrete safety integrity levels (SIL 1 to 4). Each level corresponds to a probability range for the failure of a safety function. The higher the safety integrity level of safety-related systems, the lower the probability that the demanded safety functions will not be performed.