

CABLE BREAKOUT BOOT EIGHT ENTRY

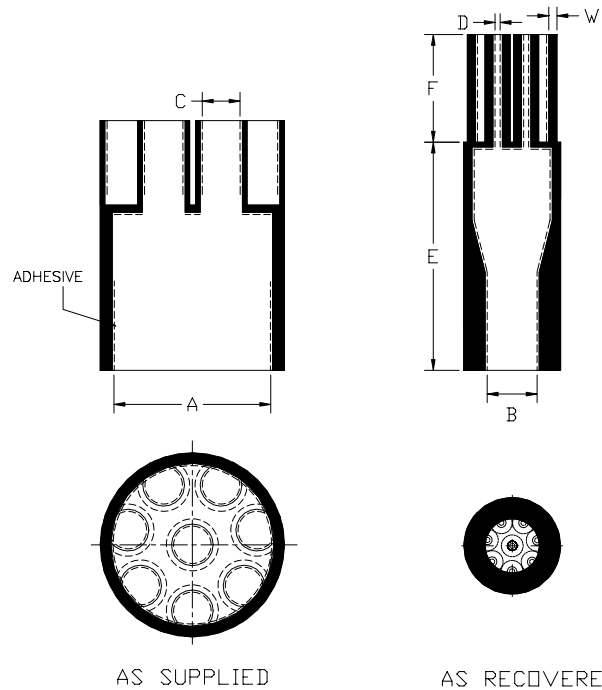



Table of Dimensions, inch (mm):

PART NUMBER (See Note*)	Body ID		Leg ID		Length Recovered Min		Rec'd. Wall Ref (W)
	Min. Exp. (A)	Max. Rec'd (B)	Min. Exp. (C)	Max. Rec'd (D)	(E), Body	(F), Leg	
8S23-75FR	1.50 (38)	0.75 (19)	0.41 (10)	0.13 (3)	2.65 (67)	1.40 (36)	0.10 (2.5)

Note*: Add "NA" to the end of Part Number if no adhesive is required

Material: Heat shrinkable boot material in accordance with -3 polyolefin

Factory applied sealant: Hot melt adhesive provided on the shrinkable portion of the boot is standard.

 Raychem Products, North America Tyco Electronics Corporation 300 Constitution Drive Menlo Park, CA 94025 USA		Product Brand: <h2 style="text-align: center;">Raychem</h2>	
Specification Control Drawing		Title: <h3 style="text-align: center;">Cable Breakout Boot Eight Entry</h3>	
		Size A	Cage Code 06090
UNLESS OTHERWISE SPECIFIED DIMENSIONS ARE IN INCHES. METRIC DIMENSIONS ARE SHOWN IN BRACKETS		Tyco Electronics reserves the right to amend this drawing at any time. Users should evaluate the suitability of the product for their application.	
Drawn By: A.Ng		Org. Date: 03/17/03	
Original file:		Rev.: A	
File : R030159.doc		Scale: None	
Sheet: 1 of 1		Rev. Date: 25-Mar-03	

If this document is printed it becomes uncontrolled. Check for the latest revision.